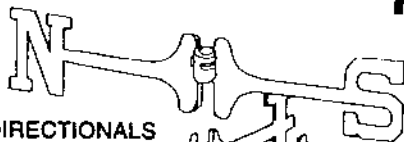


# Assembly Instructions

## Full Size Weathervane

(With Separate Arrow)

COPPER SPACER BALL (SMALL)



BRASS DIRECTIONALS



COPPER BALL (LARGE)

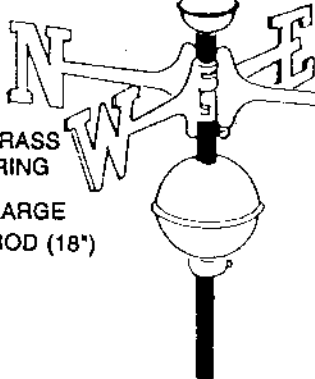


SMALL ROD



BRASS RING

LARGE ROD (18")

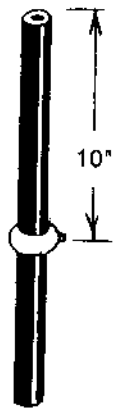


ASSEMBLED VIEW

### YOUR PACKAGE INCLUDES THE FOLLOWING PIECES:

- 1 FIGURE (Eagle, Horse in Horn, etc. Whichever one you purchased.)
- 1 Brass Arrow
- 1 Large Copper Ball
- 1 Small Copper Ball
- 1 Set of Brass Directionals
- 1 Brass Ring
- 1 Small Iron Threaded Rod
- 1 Large Iron Rod (18")

1



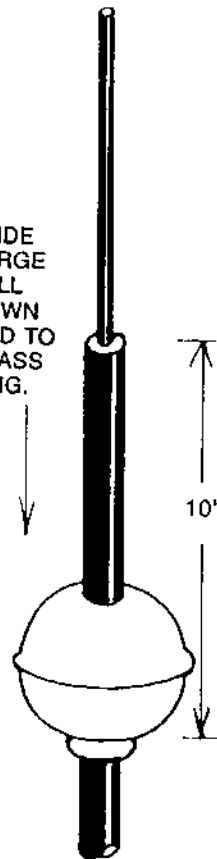
POSITION BRASS RING OVER LARGE ROD. TIGHTEN SET SCREW

2



THREAD SMALL ROD INTO LARGE ROD. TIGHTEN FIRMLY WITH PLIERS.

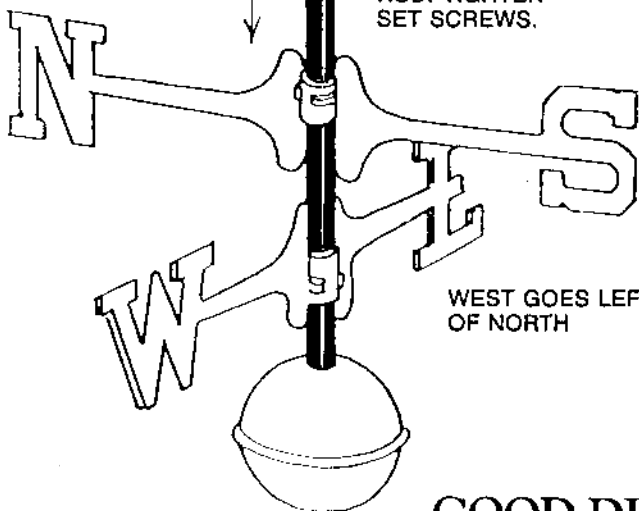
3



SLIDE LARGE BALL DOWN ROD TO BRASS RING.

4

INTERLOCK DIRECTIONALS, SLIDE ONTO ROD. TIGHTEN SET SCREWS.



WEST GOES LEFT OF NORTH

5

SLIDE ARROW OVER BRASS TUBE, TIGHTEN SET SCREW

APPLY COMMON GREASE TO ROD SO VANE WILL ROTATE FREELY.

FINAL STEP... SLIDE WEATHERVANE FIGURE ONTO SMALL ROD... ENJOY!

BRASS BOTTOM OF WEATHERVANE TUBE SLIDES OVER SMALL ROD.



GOOD DIRECTIONS,™ INC.