

SQUARE | illuminated doorbell button

Our doorbell buttons will give your guests an inviting welcome! These buttons incorporate current technology and materials in a contemporary design.

All spOre doorbell buttons work with standard doorbell systems.

Applications include call buttons, interactive displays, garage doors, home automation, security systems or as low voltage decorative light points. spOre buttons are customizable from finish to function. spOre is glad to assist in your custom needs!

Design: Ted Pierson and Tom Gordon, 1996. Patents apply.

Model: DBS-(color choice)

Colors: Amber (A), Blue (B), Green (G), Red (R), White (W)

Power Required: 8-16 Volts AC or 6-12 Volts DC.

Power Consumption: Less than 1 Watt.

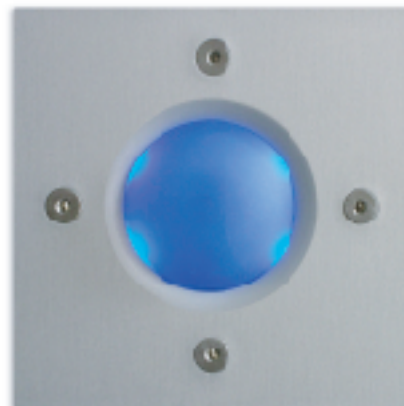
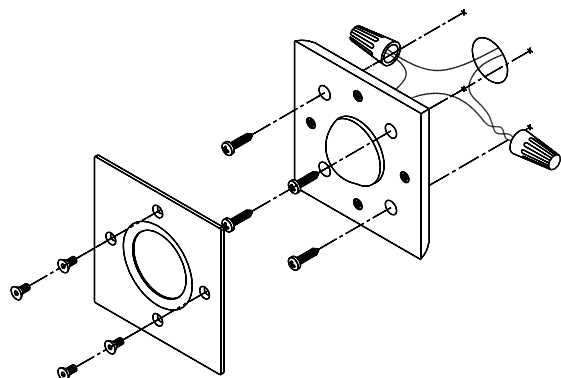
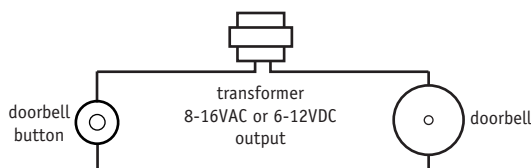
Light Source: Illumination is provided by LED's that produce light in colors of the specific button. The LED's will normally last over 100,000 hours or 11 years!

Switch: Momentary, normally open.

Hardware: The button is made of colored translucent elastomeric resin with UV inhibitors. The face plate is satin finish anodized aluminum. An installation kit is included with mounting screws, wire nuts, stainless steel security screws and driver.

Note: spOre recommends using a mechanical door buzzer or doorbell, especially ours! For more details on installation see our information sheet on typical doorbell systems at www.sporeinc.com/faqs.html.

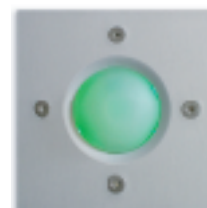
Typical Doorbell System:



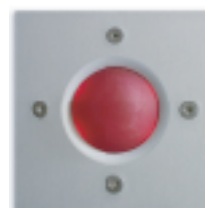
Blue



Amber



Green



Red



White

