



Sydney Smart Dual Flush Back Outlet Closet Bowl.

Vitreous China 1.28/0.8 gal (4.8/3 ltr) Dual Flush High Efficiency (HET), Two Piece Washdown Toilet.

PLUMBERS INSTALLATION INSTRUCTIONS PLEASE READ CAREFULLY BEFORE INSTALLATION

IMPORTANT:

Reducing Wax rings must not be used when installing this toilet pan, as detailed in **Fig. 2**.

Working Water Pressure:

USA & Canada: Recommended working water pressure is 20-80psi (140-550Kpa).

Closet Bowl Fixing Procedure:

- 1- It is essential for the installation of the Sydney Smart back outlet two piece washdown toilet that the closet flange be accurately set out on the finished wall as detailed in **Fig. 3**.
- 2- Position 'T' bolts and wax seal onto closet flange, as detailed in **Fig. 4**.
- 3- Position rear outlet adaptor onto 'T' bolts and secure onto wax seal with nuts as detailed in **Fig. 5**.
- 4- Apply soap solution to the rear outlet adaptor rubber seal. Slide bowl into position, mark bowl fixing hole positions, remove the bowl and drill holes.
- 5- Ensure that the area around the closet bowl is clean and free from building material.
- 6- Slide the closet bowl in the rear outlet adaptor and secure closet bowl with suitable fasteners. (fixing not supplied), available separately.
- 7- It is recommended that a bead of acetic cured silicone caulking is applied fully around base of the closet bowl.
- 8- Remove any excess silicone caulking.

Tank Fixing Procedure:

- 1- Ensure the foam seal is fitted onto the tail piece on the underside of the tank as detailed in **Fig. 6**.
- 2- Lower tank onto closet bowl, allowing the two tank fixing bolts protruding below the tank to locate in the corresponding holes in the closet bowl.
- 3- Fit the plastic wing nuts provided onto the tank fixing bolts which are protruding through the closet bowl and gradually tighten the left and right hand nuts by hand to evenly secure tank to closet bowl.
- 4- Connect water supply and check operation.

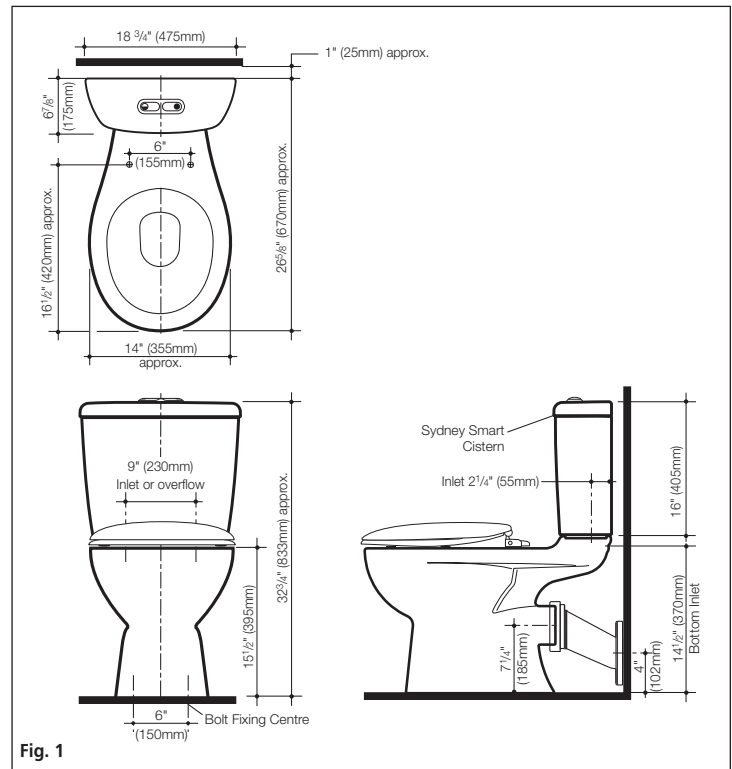


Fig. 1

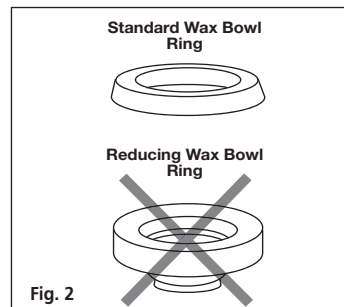


Fig. 2

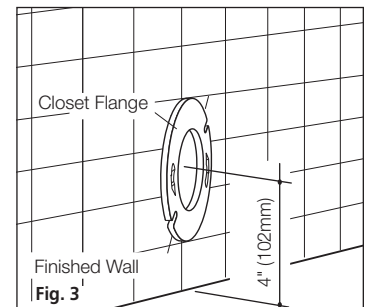


Fig. 3

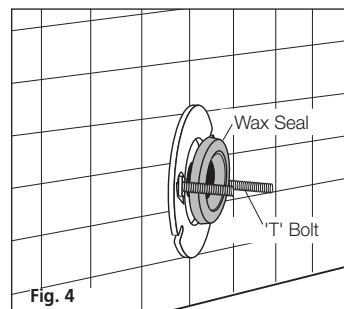


Fig. 4

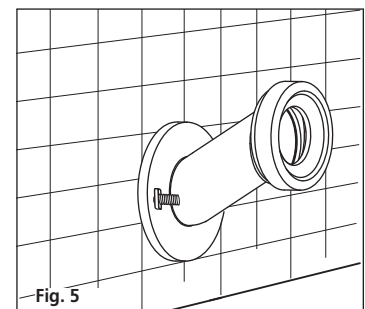


Fig. 5

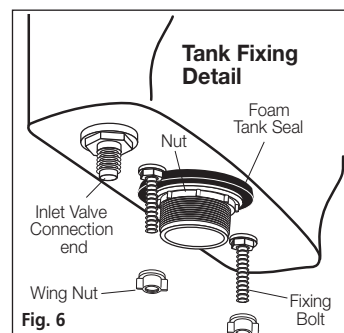


Fig. 6

(N) Non standard item. (Canada)

All measurements are subject to accepted manufacturing tolerances. To ensure complete accuracy please check actual product dimensions before drilling for installation.

The manufacturer reserves the right to change specifications at any time without giving prior notification.

This product should be installed by a qualified plumber. Local authority, Water Board, and Building Regulations may apply to the installation of this product, and you should consult the appropriate bodies on these requirements. Failure to comply may invalidate the product warranty.



Sydney Smart 1.28/0.8 gal (4.8/3 ltr) Back Outlet Closet Bowl Vitreous China Dual Flush Low Consumption, Two Piece Washdown Toilets.

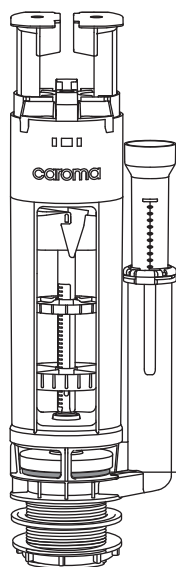
CLEANING INSTRUCTIONS FOR VITREOUS CHINA

To preserve the glazed surface, this toilet should be cleaned with a mild household detergent or warm soapy water.

Cistern Spare Parts —

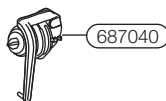
M5 outlet valve replacement parts

Code	Part Description
750017	M5 Outlet valve diaphragm seal
750297	M5 Outlet Valve 1.28/0.8 gal (4.8/3L) (Sydney Smart)



Caroma USA, Inc.
Caroma Canada Industries Limited
For spare parts contact
Internet
www.caromausa.com
Phone: 1 800 605 4218

Quietflow 2 Inlet Valve Replacement Parts



Code	Part Description
687144	Quietflow 2 USA Inlet Valve
687040	Quietflow 2 repair kit

