

# KM-101BAH

## SELF-CONTAINED CUBER WITH BUILT-IN STORAGE BIN

Item # \_\_\_\_\_

Project: \_\_\_\_\_

Qty: \_\_\_\_\_

\*AutoCad available on KCL

KM-101BAH

12/12

Item # 13209



### CUBER DIMENSIONS W x D x H

**KM-101BAH**  
23<sup>3/4</sup> x 24 x 39\*  
\* with 6" legs



### KM-101BAH

Air-Cooled  
Shown

- Up to 115 lbs. of ice production per 24 hours
- Up to 53 lbs. of built-in storage capacity
- Individual crescent cube
- Durable stainless steel exterior
- CycleSaver® Design 
- EverCheck® alert system 
- Front in, front out airflow
- Stainless steel evaporator
- Slide in door
- Removable air filter
- Power switch accessible without panel removal
- Built-in installation possible
- Accessory - HS-506I Drain Pump Assembly
- R-134a Refrigerant

\* The KM-101BAH is ENERGY STAR qualified.



### Warranty

Valid in United States, Canada, Puerto Rico, & U.S. Territories. Contact factory for warranty in other countries.

**Three Year** - Parts & Labor on entire machine.

**Five Year** - Parts & Labor on: Evaporator.

**Five Year** - Parts on: Compressor, air-cooled condenser coil.

**One Year** - HS-506I Drain Pump Assembly - Parts & Labor.

© HOSHIZAKI AMERICA, INC.

618 Hwy. 74 S., Peachtree City, GA 30269

TEL 1-800-438-6087

FAX 1-800-345-1325

www.hoshizaki.com



# Hoshizaki

## SELF-CONTAINED CUBER WITH BUILT-IN STORAGE BIN

### DIMENSIONS

W x D x H

**KM-101BAH**  
23<sup>3/4</sup> x 24 x 39<sup>\*</sup>  
\*with 6" legs

• Air-cooled

### AIR-COOLED

Water Temp ° F.	50°	70°	90°
Air Temp ° F.			
70°	115	107	97
80°	109	97	87
90°	107	88	78

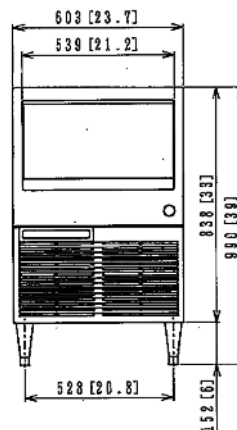
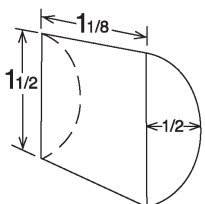
### UTILITY CONSUMPTION

Model Number	Ice Production Per Cycle		KWH per 100 LBS.	Potable Water Gal. per 100 lbs.	Condenser Water Gal. per 100 lbs.
	Lbs.	Cubes			
KM-101BAH	2.31	110	9.4	23.0	N/A

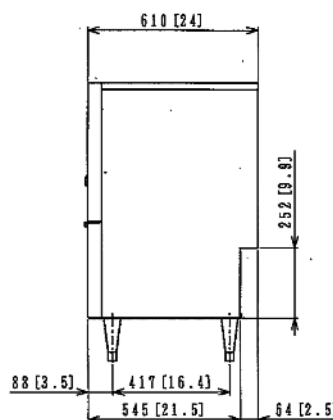
### SPECIFICATIONS

Model Number	Condenser	Amperage	Min. Circuit Ampacity	Shipping Weight
KM-101BAH	Air-Cooled	5.2	15A	136 lbs.

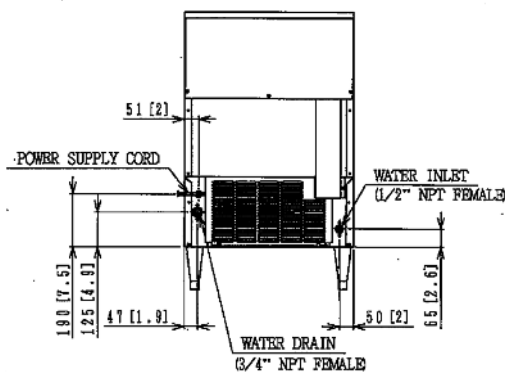
### KM CUBE DIMENSIONS



FRONT DIMENSIONS



SIDE DIMENSIONS



BACK DIMENSIONS

### ELECTRICAL & PLUMBING/KM-101BAH

- 115V/60/1
- 15 amp Max Fuse/HACR Breaker Size
- 3/8" OD copper or equivalent potable water supply
- 3/4" independent drain connection
- 1/2" FPT Water Inlet



© HOSHIZAKI AMERICA, INC.

618 Hwy. 74 S., Peachtree City, GA 30269

### OPERATING LIMITS

- Ambient Temp Range 45 - 100°F
- Water Temp Range 45 - 90°F
- Water Pressure 10 - 113psig
- Voltage Range 104 - 127V

TEL 1-800-438-6087

FAX 1-800-345-1325

www.hoshizaki.com

Printed in U.S.A.

