

1U Rack mount Dual Slides 17" TFT LCD monitor keyboard drawer / KVM switch

Model: RKP 1017, RKP1017-801 & RKP1017-1601

Monitor Features:

- **Unique mechanical design** to maximize rack mountable space
- **Unique monitor flip up design** allows viewing through closed glass door of cabinet
- **Adjustable mounting brackets** from 15.4" to 31.1" (390 to 790 mm) (front to rear 19" mounts). Suitable for 30" to 39.4"(750 to 1000mm) deep 19" cabinet
- Keyboard with GlidePoint touch pad mouse
- **Built-in on screen display** controlled by integral membrane switches
- Standard D-sub 15-pin VGA input connector
- Supplied with 12V 5A remote power adapter
- All mounting hardware included



With KVM Features only:

- **Multi-platform-mix** PCs, SUNs, IBMs, HPs, Compaq & DELL
- **Support 8 characters password protection** & search PC server name
- **Cascades for use with up to 128 servers**
- New keep alive feature safeguards server for power loss to the switch
- **Built-in microprocessor** emulation for each port boots up process
- **Auto scan-mode** for monitoring your servers at intervals 5 to 99s
- **Hot-pluggable** when adding or removing PC w/o powering down the switch
- Name you server up to **16 characters long**
- Supplied w/12V 1A remote power adapter(single power source)
- **Supplied with 8 screened cables 6ft long**
- No software needed & all mounting hardware included

Specification

Monitor

Panel:	17" LCD panel
Display type:	TFT / LCD active matrix color
Resolutions:	1280 x 1024
Response time:	Tr=5ms/ Tf=20ms
Contrast ratio:	350 : 1 typical
Brightness:	250 cd/m ² typical
Pixel pitch:	0.264mm (H) x 0.264mm (W)
Panel color:	16.7 million display colors
Viewing angle:	150° (Horiz.)/ 125° (Vert.)
Storage temp.	-25° C to 60° C
Operating temp.	0° C to 50° C
MTBF	20,000 hours

Power supply

Remote adapter:	110V - 220V AC Input 12V 5A Output
Adapter Size:	4.3"(L) x 2.4" (W) x 1.2"(H) (108x61x30mm)
Cable length from mains plug to adapter:	6ft (182cm)
Cable length from adapter to unit:	6ft (180cm)
Safety approval:	UL, CE
Mains plug options available	

KVM

Computer connectors:	8/16
Connector:	15-pin HDB type, Keyboard, mouse, all-in-1
Cascade level:	8
Max. access PCs:	128
Input VGA resolution:	1,920 x 1,440

Keyboard Selection:

Option 1: Notebook type keyboard with touch pad mouse

Product dimension--- 17.3"(W) x 1.75"(H) x 25.6"(D) (439x4.45x650mm)

Packing dimension--- 28.96"(L) x 22.66"(W) x 7"(H) (735x575x180mm)

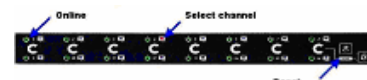
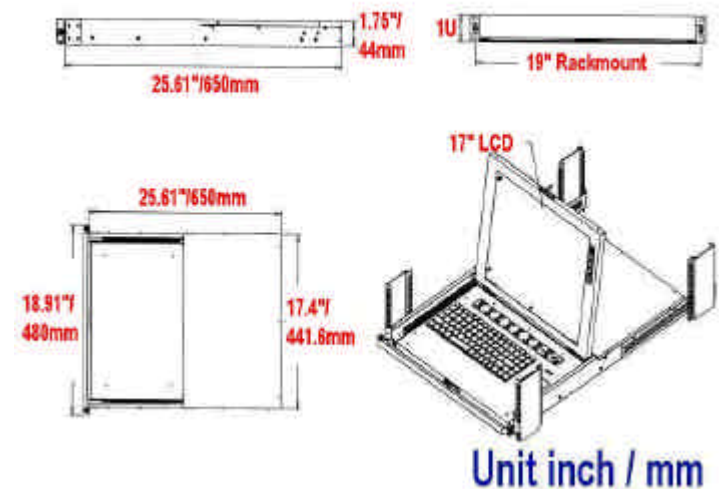
Weight

Model No	KVM	Net / Gross weight
RKP1017e	Non	24.2 lbs/ 41.8lbs (11kg/19kg)
RKP1017-801e	8 port	26.4lbs/ 46.2lbs (12kg/21kg)
RJP1017-1601e	16 port	28.6lbs / 48.4lbs (13kg/22kg)

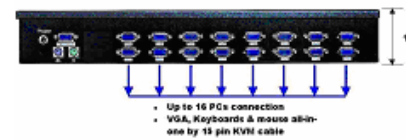
Construction

1. Class A active matrix TFT LCD panel
2. Rear metal case
3. 8 or 16-port KVM control board
4. Adjustable mounting bracket
5. Analog-to-digital signal converter board
6. Inverter
7. Ball bearing telescopic slides
8. 8-push-button channel selector switches
9. Front cover
10. Panel button control
11. Front metal case

Dimension



KVM membrane Controller



KVM Switches

