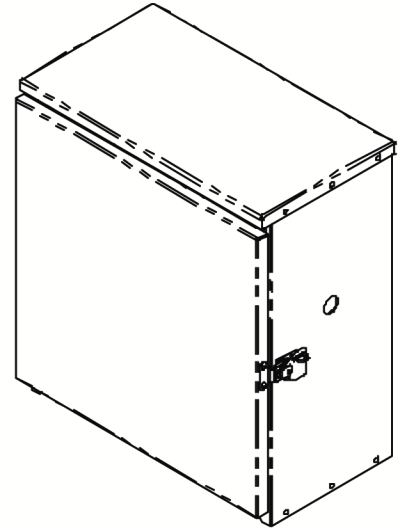
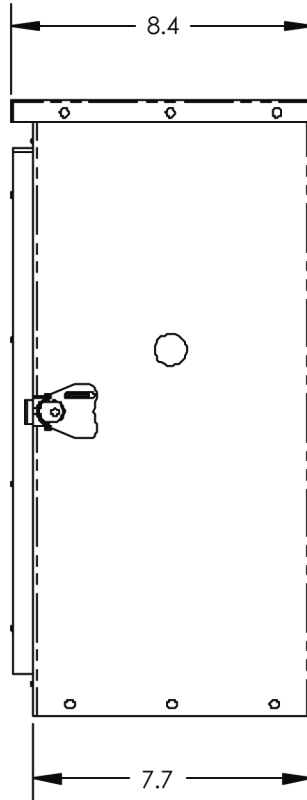
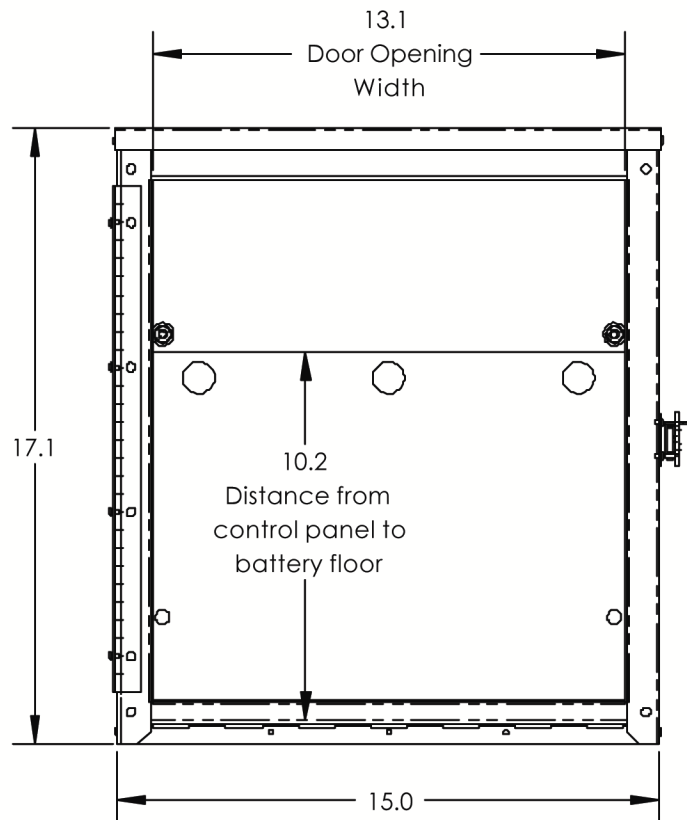


REVISIONS			
REV.	DESCRIPTION	DATE	APPROVED
B	Current Revision	5-16-05	D.E.Dell'Ara



	NAME	DATE
DRAWN	D.E.Dell'Ara	5-16-05
CHECKED		
ENG APPR.		



Enclosure, LCF 1-3 W/P

UNLESS OTHERWISE SPECIFIED:
DIMENSIONS ARE IN INCHES.

TOLERANCES:
ANGLES: +/- 1.5°
TWO PLACE DECIMAL: +/- .030
THREE PLACE DECIMAL: +/- .015

SIZE A	DWG. NO. 55-0100-100	REV. B
------------------	-------------------------	------------------

MATERIAL .060 Alum	FINISH Powder Coat
-----------------------	-----------------------

DO NOT SCALE DRAWING

PROPRIETARY AND CONFIDENTIAL
THE INFORMATION CONTAINED IN THIS DRAWING IS THE SOLE PROPERTY OF IRONRIDGE.
ANY REPRODUCTION IN PART OR AS A WHOLE WITHOUT THE WRITTEN PERMISSION OF IRONRIDGE IS PROHIBITED.