

SERIES 187 MARINE RATED CIRCUIT BREAKER (MRCB)

MANUAL RESET CIRCUIT BREAKERS WITH SWITCH FUNCTION

SPECIFICATIONS

Single Pole Thermal Type Breakers

Applications: Typically used in DC power systems in marine applications (as a main or branch circuit breaker), truck and bus systems, RV systems, add-on protection for accessories, lift gates, etc. This unit is external ignition protected and weatherproof.

Rating: 25-150A, 48VDC.

Interrupt Rating: Main Breaker Protection Interrupt Rating (5kA @ 12VDC). (Consult factory for higher voltage interrupt ratings.)

Operating Temperature Rating: -40°F (-40°C) to 185°F (85°C).

Storage Temperature Rating: -40°F (-40°C) to 260°F (125°C).

Materials: Black UL-Rated 94V-0 thermoset plastic body. Cover and lever are UL-Rated 94V-0 thermoplastic.

Marking: Standard marking includes amp/volt ratings. Custom markings also available.

Termination: 5/16-18 threaded studs.

Torque Rating: 75in-lbs (8.5Nm) max.

Mounting Torque Rating: Panel or surface-mount options; 50in-lb (5.6 Nm) max.

Ingress Protection Rating: IP66.

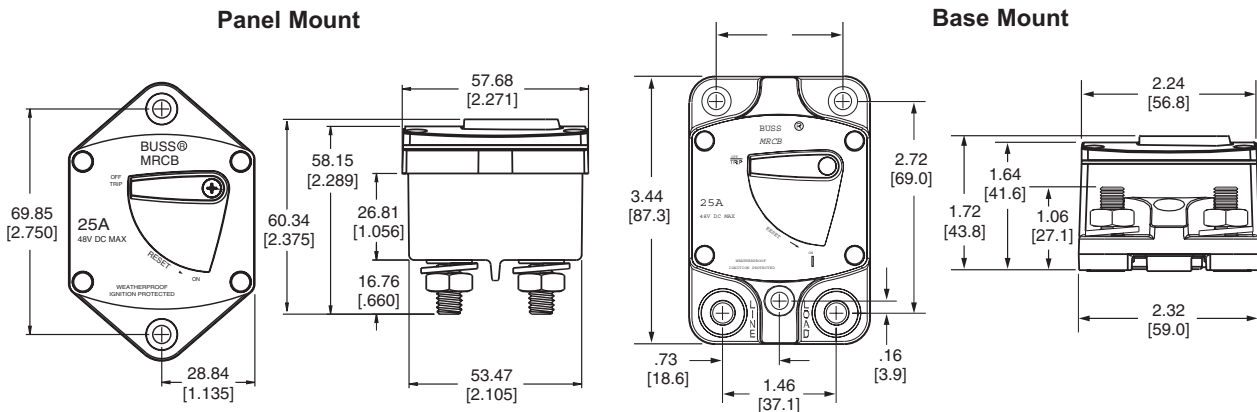
Features / Options: A manual reset circuit breaker with On-Off switch capability.

Compliances: ABYC E-11; CE; SAE J1171 (Ignition Protected).

Consult factory for time characteristic curves.



DIMENSIONS (Dims. are shown for reference only. Consult factory for latest prints)



PART NUMBERING SYSTEM

Series	Rating	Mounting	Hardware	Marking
1 8 7	□ □ □	□ —	□ □ —	□
187 – Manual Reset - Switching Style Circuit Breaker	025 – 25 amps 030 – 30 amps 035 – 35 amps 040 – 40 amps 050 – 50 amps 060 – 60 amps 070 – 70 amps 080 – 80 amps 100 – 100 amps 110 – 110 amps 120 – 120 amps 135 – 135 amps 150 – 150 amps	F – Surface mount P – Panel mount	00 – No hardware 03 – Stainless nuts & lockwashers - installed on studs 04 – Stainless nuts & lockwashers - supplied bulk packed	1 – Standard marking; Part Number, Amp Rating (Consult factory for special marking options.)