

Ripwave™ CPE Quick Installation Guide

The following instructions are for the experienced user as a quick setup guide for the Ripwave unit. For more details on installation of the Ripwave unit and software, see the Ripwave Unit Installation and User Guide.

Hardware Installation

1. Turn the computer off before installation. Connect the USB or Ethernet cable to the Ripwave unit and to the corresponding port on the PC.



USB Cable



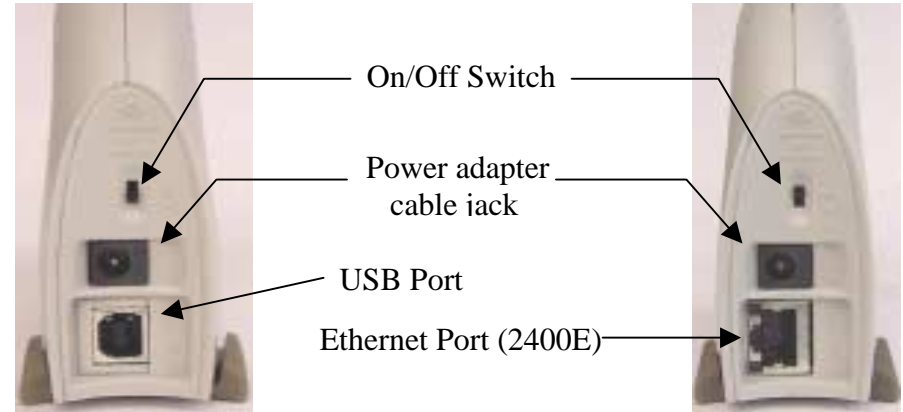
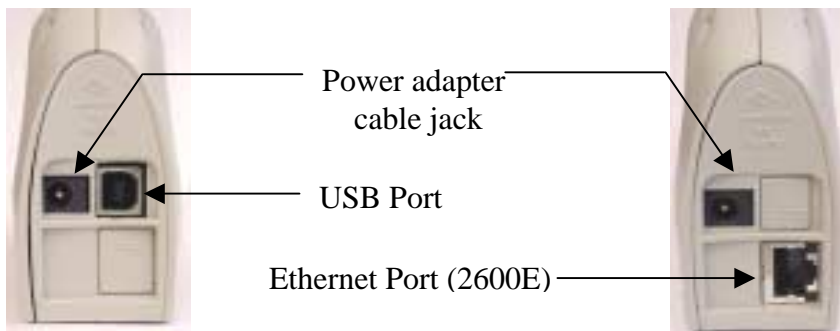
Ethernet Cable

2. Connect the AC power adapter to the Ripwave unit and to a 110 VAC outlet.



AC power adapter

3. Rotate the antenna clockwise to the **UP** position.
4. Push the On/Off switch on the Ripwave unit to turn the unit **ON**. The lower indicator light on the Ripwave unit illuminates green.



5. Set the power switch on the computer to the **ON** position. When the system is up, log in to the computer.

Note: For Windows NT® and Windows® 2000, you must be logged into an account having administrative privileges to install the Ripwave unit and its software.

6. For an Ethernet connection, go to the **Ripwave Monitor Software Installation** section. For a USB connection, Plug and Play will detect the new hardware – click **Next** in the Add New Hardware Wizard dialog box, and continue on with the hardware installation.
7. Insert the Navini Networks Ripwave Installation CD in the CD-ROM drive.
8. Follow the instructions for the ‘Add New Hardware Wizard’ to install the device driver for the Ripwave unit.
9. Select the ‘CD-ROM drive’ checkbox. Click **Next** to continue.
10. Restart the computer, and proceed to the **Ripwave Monitor Software Installation**.

Ripwave Monitor Software Installation

1. Shut down all programs before installing the Ripwave Monitor software. This includes all anti-virus software.
2. Insert the Navini Networks Ripwave Installation CD in the CD-ROM drive.
3. Click **Start > Run** from the menu at the bottom left corner of your screen. In the **Run** window, enter e:\setup (where “e” represents the CD drive; use the letter representing your specific CD drive) in the Open field. Click **OK**.
4. Follow the instructions for the ‘Ripwave Monitor Installation Wizard’ to install the Ripwave Monitor software.
5. Restart the computer. When the system is up, log in to the computer and open the Web browser.
6. LET IT RIP...BEGIN SURFING THE INTERNET!

Ripwave™ CPE Quick Installation Guide



Product Release 1.16
Parent Number 95-00116-00
Part number 40-00112-00
Sub-part number 40-00098-00
Revision C Version 1.0
July 31, 2002