

GE Monogram® 36" Built-In All Refrigerator



Model# ZIRP360NXLH



- Stainless Exterior - Conveys a sense of solidity and beauty with tubular handles, louvered grille and chamfered, hand-finished edges
- Enhanced Temperature Management System - With precise electronic controls and thermistors, maintains ideal storage conditions for fresh foods
- Concealed Halogen Lighting System - Illuminates contents without compromising space
- ENERGY STAR® Qualification - As an ENERGY STAR® partner, GE has determined that Monogram all-refrigerators meet the ENERGY STAR guidelines for energy efficiency
- Humidity-Controlled Compartments and Sealed Snack Drawers - Help preserve the freshness of foods
- Adjustable Spillproof Glass Shelves - Easily accommodate party trays and platters
- Gallon-Size Door Bin - Holds milk containers, two-liter bottles and pitchers
- Sealed Dairy Compartment - Locks in freshness

FEATURES

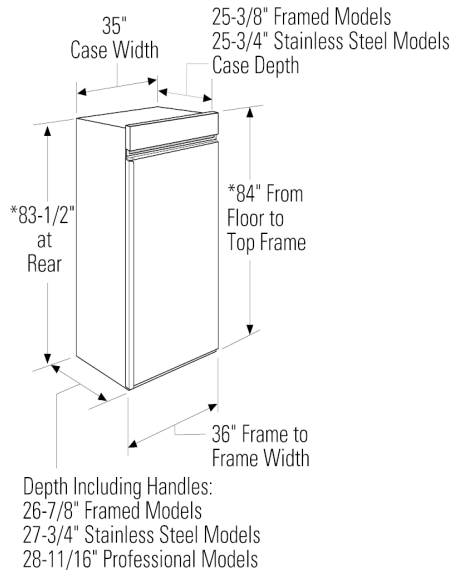
| | |
|--|--|
| Energy Star® Qualified | Yes |
| Sealed System Design | Auto Defrost |
| Upfront Electronic Digital Temperature Display | Yes |
| Fresh Food Cabinet Shelves - Total Number of Shelves | 7 |
| Adj. Humidity Produce Pans | 2 Lg. w/ Easy Access Lid w/ Full Exten. Slides |
| Butter Dish | Glass Covered |
| Dairy Compartment | 2 Sealed |
| Fresh Food Cabinet Shelves - Adjustable | 6 Adj., 1 Full-Width Fixed |
| Fresh Food Cabinet Shelves - Spill Proof | Yes |
| Fresh Food Door Shelves | 4 (2 w/Gal. Storage) |
| Snack Drawer | 2 Regular; Sealed w/ Full-Extension Slides |
| Wine Caddy | Yes |
| Wire Baskets | 4 Large with Full Extension Slides |
| Defrost Type | Automatic Defrost |
| 130 Deg. Door Stop | Yes |

To locate a GE Monogram dealer, call 1-800-626-2000

GE Monogram® 36" Built-In All Refrigerator



Model# ZIRP360NXLH



APPROXIMATE DIMENSIONS (HxDxW)

- 84 in x 26 3/4 in x 36 in

CAPACITY

- Total Capacity (cubic feet) 21.40 cu ft

WARRANTY

- Parts Warranty - Limited 2-year entire appliance
Limited 5-year sealed refrigerating system
Limited 12-year sealed refrigerating system
- Labor Warranty - Limited 2-year entire appliance
Limited 5-year sealed refrigerating system
- Warranty Notes - For models produced on or after
January 1, 2006
See written warranty for full details

To locate a GE Monogram dealer, call 1-800-626-2000