

Installation Instructions

If you have questions, call 800.626.2000 or visit our website at: www.monogram.com

**Double-Drawer Built-In
Refrigerator
ZIDI240
ZIDS240**

Design Guide
With Installation Instructions



Monogram.[®]

Safety Information

BEFORE YOU BEGIN:

Read these instructions completely and carefully.

IMPORTANT — Save these instructions for local inspector's use.

IMPORTANT — Observe all governing codes and ordinances.

Note to Installer — Be sure to leave these instructions with the Consumer.

Note to Consumer — Keep these instructions with your Owner's Manual for future reference.

WARNING — This appliance must be properly grounded. See the section below.

AVERTISSEMENT —

Cet appareil doit être correctement mis à la terre. Consulter la section au-dessous.

If you received a damaged Double-Drawer Refrigerator, you should immediately contact your dealer or builder.

Skill Level — Installation requires basic mechanical skills. Proper installation is the responsibility of the installer. Product failure due to improper installation is not covered under the GE Appliance Warranty.

WARNING:

- Double-Drawer Refrigerators are designed to be built-in only. They cannot be used free-standing.
- Use this appliance only for its intended purpose.
- Immediately repair or replace electrical service cords that become frayed or damaged.
- Unplug the unit before cleaning or making repairs.
- Repairs should be made by a qualified service technician.

AVERTISSEMENT :

- Les réfrigérateurs à deux tiroirs sont conçus pour être encastrés uniquement. Ils ne peuvent pas être séparés.
- Il ne faut utiliser cet appareil que pour l'usage pour lequel il a été construit.
- Il faut réparer ou remplacer immédiatement tout cordon d'alimentation électrique effiloché ou endommagé.
- Débrancher le bar ou le réfrigérateur à vin avant le nettoyage ou toute intervention.
- Les réparations doivent être faites par un technicien qualifié.

For Monogram local service in your area, call
1.800.444.1845

For Monogram service in Canada, call
1.888.880.3030

For Monogram Parts and Accessories, call
1.800.626.2002.

www.monogram.com

GROUNDING THE DOUBLE-DRAWER REFRIGERATOR

IMPORTANT — Please read carefully.

FOR PERSONAL SAFETY, THIS APPLIANCE MUST BE PROPERLY GROUNDED.

The power cord of this appliance is equipped with a three-prong (grounding) plug which mates with a standard three-prong (grounding) wall receptacle to minimize the possibility of electric shock hazard from this appliance.

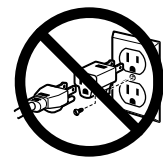
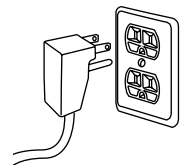
Have the wall outlet and circuit checked by a qualified electrician to make sure the outlet is properly grounded.

Where a standard 2-prong wall outlet is encountered, it is your personal responsibility and obligation to have it replaced with a properly grounded 3-prong wall outlet.

DO NOT, UNDER ANY CIRCUMSTANCES, CUT OR REMOVE THE THIRD (GROUND) PRONG FROM THE POWER CORD.

DO NOT USE AN ADAPTER PLUG TO CONNECT THE REFRIGERATOR TO A 2-PRONG OUTLET.

DO NOT USE AN EXTENSION CORD WITH THIS APPLIANCE.



Important Information

CONTENTS

Important Information

Tools, Hardware	3
Parts Required	3
Caring for Your Stainless Steel	3

Design Guide (for ZIDS240)

The Installation Space	4
Product Clearances	4
Side-by-Side Installations	4

Design Guide (for ZIDI240)

The Installation Space	5
Product Clearances	5
Side-by-Side Installations	5

Installation Instructions

Step 1, Remove Packaging	6
Step 2, Install Custom 3/4" Drawer Panels and Handles (ZIDI240 model only)	6, 7

Step 3, Level	7
Step 4, Connect Power	8
Step 5, Slide Product into Cutout	8
Step 6, Set Temperature Controls	8

ZIDI240 MODEL ONLY

PARTS REQUIRED

- Custom handles
- Overlay panels
- Spacer panels
- Backer panels
- Screws

PARTS SUPPLIED

- Drawer side trims
- Optional black or stainless steel toekick

CARING FOR YOUR STAINLESS STEEL

- Before installation or first use, we strongly advise you polish the stainless steel exterior and handles with a commercially available stainless steel cleaner such as Stainless Steel Magic™. To preserve and protect the fine finish we also strongly advise that you apply stainless steel cleaner monthly.

TOOLS REQUIRED

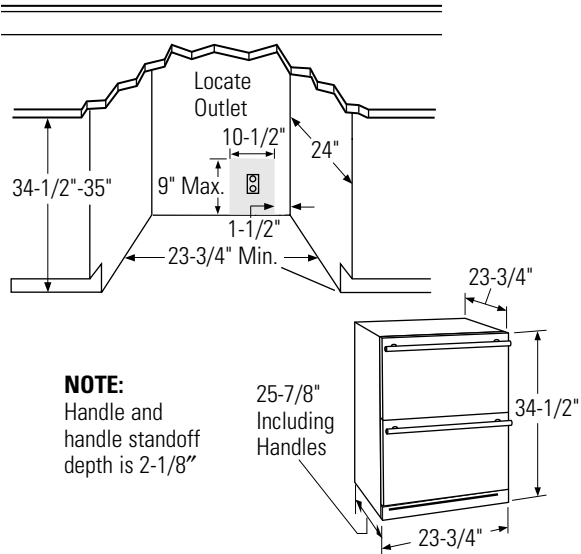
- Adjustable wrench
- Carpenter's glue (ZIDI240 model only)
- Screwdriver (ZIDI240 model only)

Design Guide

FOR MODEL ZIDS240 WITH STAINLESS STEEL DRAWERS AND HANDLES

THE INSTALLATION SPACE

IMPORTANT: Double-Drawer Refrigerators are designed to be built-in only. They cannot be used free-standing.



The cutout depth should be 24"

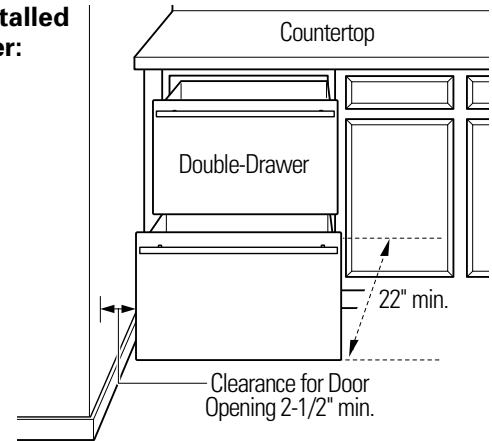
NOTE: The unit is designed to be flush with the surrounding cabinets.

Additional Specifications

- A 120 volt 60Hz., 15 or 20 amp power supply is required. An individual properly grounded branch circuit or circuit breaker is recommended. Install a properly grounded 3-prong electrical receptacle recessed into the back wall as shown. Electrical must be located on rear wall as shown. **NOTE:** GFCI (ground fault circuit interrupter) is not recommended.

PRODUCT CLEARANCES

When installed in a corner:



Allow 2-1/2" min. clearance between Double-Drawer and adjacent cabinet, wall or other appliances. Allow 22" min. clearance from the front for drawer opening.

NOTE: Clearances are based on the noted 2-1/8" handle standoff depth.

- Test the drawer openings. Carefully open and close the drawers. The drawers should not rub or catch on adjacent cabinetry. Notify the installer if the drawers make contact with cabinetry.

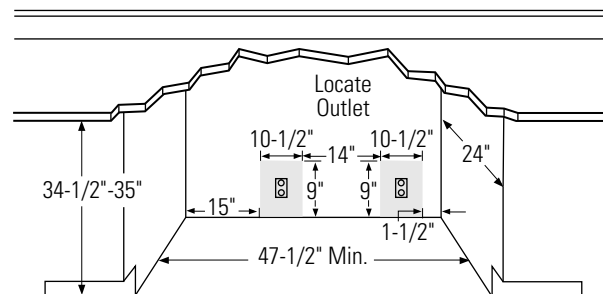
Choose the location:

- These products may be closed in on the top and three sides as long as the front is unobstructed for air circulation and proper access to the drawers.
- Do not install these products where the temperature will go below 55°F (13°C) or above 90°F (32°C).
- These products are not designed to be stacked one over the other.

SIDE-BY-SIDE INSTALLATIONS – Stainless Steel Models Only

For a complete refreshment center, install a Double-Drawer Refrigerator beside a Beverage Center, Wine Chiller/Wine Reserve, Fresh-Food Refrigerator or Bar Refrigerator with Icemaker.

- A side-by-side installation requires at least a 47-1/2" wide opening. No trim kits required.
- Products must operate from separate, properly grounded receptacles.

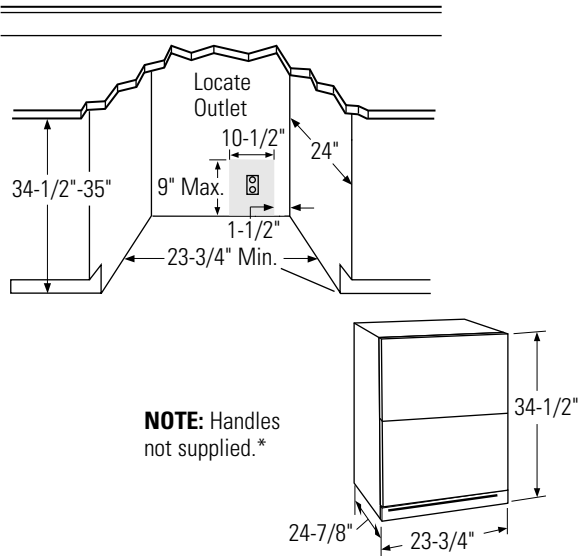


Design Guide

FOR MODEL ZIDI240 WITH CUSTOM DRAWER PANELS AND HANDLES

THE INSTALLATION SPACE

IMPORTANT: Double-Drawer Refrigerators are designed to be built-in only. They cannot be used free-standing.



NOTE: Handles not supplied.*

*Custom handle clearances may vary depending on the standoff of the custom handles.

The cutout depth should be 24"

The cutout dimensions shown allow for full drawer extension.

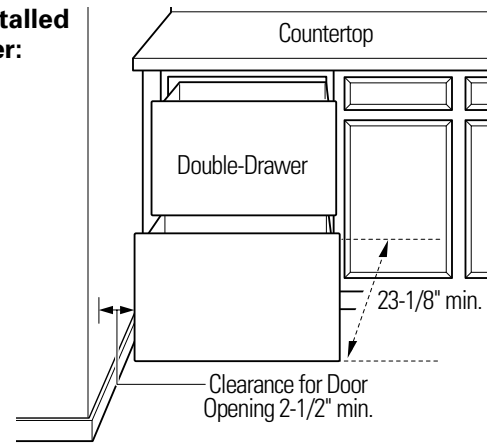
NOTE: The drawers should be flush with the surrounding cabinets.

Additional Specifications

- A 120 volt 60Hz., 15 or 20 amp power supply is required. An individual properly grounded branch circuit or circuit breaker is recommended. Install a properly grounded 3-prong electrical receptacle recessed into the back wall as shown. Electrical must be located on rear wall as shown. **NOTE:** GFCI (ground fault circuit interrupter) is not recommended.

PRODUCT CLEARANCES

When installed in a corner:



Allow 2-1/2" min. clearance between Double-Drawer and adjacent cabinet, wall or other appliances. Allow 23-1/8" min. clearance from the front for drawer opening.

NOTE: Custom handle clearances may vary depending on the standoff of the custom handles.

- Test the drawer openings. Carefully open and close the drawers. The drawers should not rub or catch on adjacent cabinetry. Notify the installer if the drawers make contact with cabinetry. **NOTE:** When installing custom panels and handles, use above clearances as a general guide but adjust according to the installation.

Choose the location:

- These products may be closed in on the top and three sides as long as the front is unobstructed for air circulation and proper access to the drawers.
- Do not install these products where the temperature will go below 55°F (13°C) or above 90°F (32°C).
- These products are not designed to be stacked one over the other.

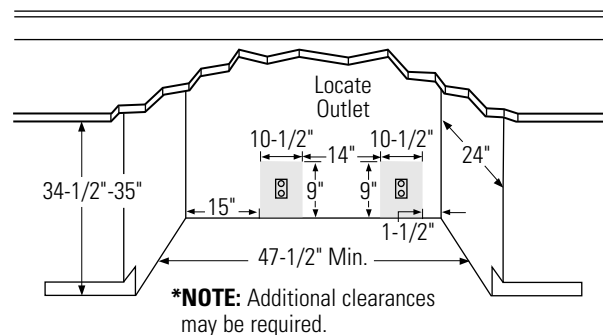
Black or Stainless Steel Toekick Options

- These products are shipped with two toekicks, a stainless steel and a black toekick. For shipping purposes, one of the toekicks will be secured to the back of the unit and the second will be installed, in place, on the unit. Keep the unused toekick, and other unused or removed parts, for future use.

SIDE-BY-SIDE INSTALLATIONS – Custom Panel Models Only

For a complete refreshment center, install a Double-Drawer Refrigerator beside a Beverage Center or Wine Chiller/Wine Reserve.

- A side-by-side installation requires at least a 47-1/2" wide opening. No trim kits required.
- Products must operate from separate, properly grounded receptacles.



***NOTE:** Additional clearances may be required.

Installation Instructions

STEP 1 REMOVE PACKAGING

- Remove corner blocks and foam drawer stops.
- Remove all packing material, tape and protective plastic coverings.

CAUTION: Small objects are a choke hazard for children. Remove and discard any parts not used.

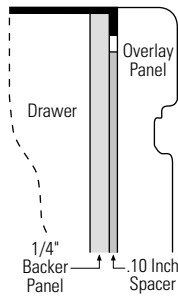
ATTENTION : Les petits objets peuvent étrangler les enfants. Il faut jeter toutes les pièces qui ne sont pas utilisées.

STEP 2 INSTALL CUSTOM 3/4" DRAWER PANELS AND HANDLES (ZIDI240 model only)

3/4" Overlay Panel Dimensions

Model ZIDI240 requires field-installed overlay drawer panels.

- The overlay panels must be secured to 1/4" thick backer panels that slide into the trims. A .10" thick spacer panel must be placed between the overlay and backer panels.
- Custom handles of your choice, supplied by your cabinet maker, must be installed on these overlay panels. Countersink all screws into the backer panels. Screws cannot protrude from the backer panels.



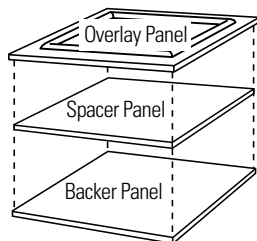
IMPORTANT NOTE: Maximum total weight for custom drawer panels are 25 pounds (12-1/2 pounds maximum each drawer).

3/4" Overlay Panel Dimensions (in inches)	
A (Width)	B (Height)
1/4" Backer	23-3/16"
.10" Spacer	22-1/2"
3/4" Overlay	23-5/8"

*Maintain a 1/4" min. gap between top and bottom drawer panels.

Assemble overlay panels with glue and screws.

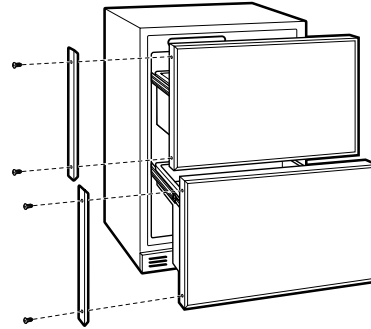
- Center spacer panel on the backer panel, left to right and top to bottom. Secure the panels with glue.
- Center the spacer/backer panel on the overlay panel. Secure with glue and screws. Countersink all screws into the backer panel.



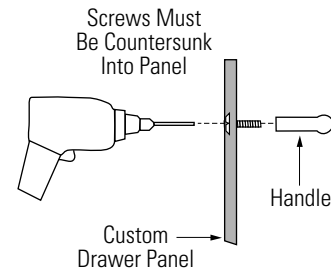
STEP 2 INSTALL CUSTOM 3/4" DRAWER PANELS AND HANDLES (CONT.) (ZIDI240 model only)

Install custom drawer panels and handles:

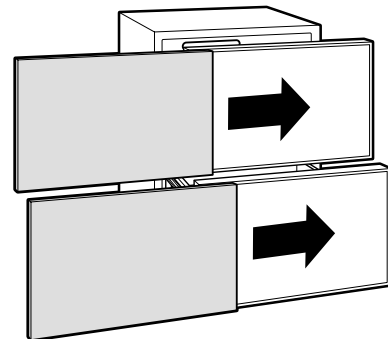
- Open drawers.
- Remove 2 screws holding each trim; lift trims off. Retain screws.



- Custom handles of your choice, supplied by your cabinet maker, must be installed onto the overlay panels before they are slid into the trims. Countersink all screws into the backer panels. Screws cannot protrude from the backer panels.



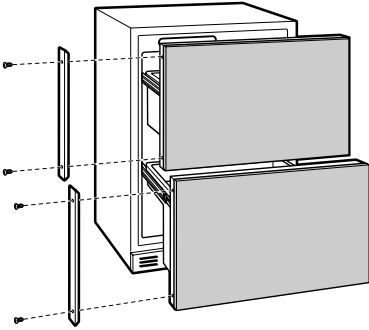
- Slide overlay panels into the trims.



Installation Instructions

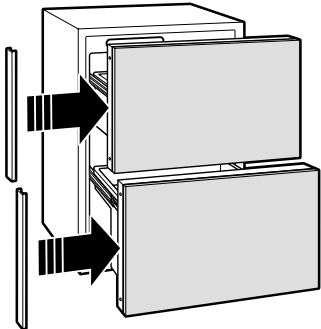
STEP 2 INSTALL CUSTOM 3/4" DRAWER PANELS AND HANDLES (CONT.) (ZIDI240 model only)

- Reinstall the side trims using the trim screws removed earlier.



- Place the brushed decorative covers over the side trim to hide the screw heads. Ensure side trim is aligned top to bottom and front to back. Snap into place.

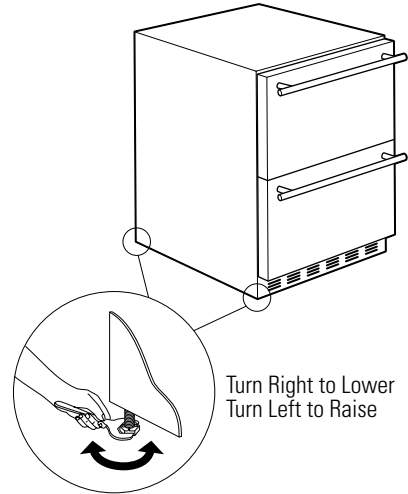
NOTE: For shipping purposes the brushed decorative cover will be secured to the front of the unit.



STEP 3 LEVEL

Use an adjustable wrench to turn and raise or lower the leveling legs.

- Measure floor to countertop height inside the opening. Adjust leveling legs until the product is approximately 1/8" less than countertop height.



INSTALLATION TIP:

Measure floor to underside of countertop inside the opening.

- If the room floor is higher than the floor inside the opening, adjust the rear leveling legs to approximately 1/8" less than the opening height. Screw front leveling legs all the way in to shorten the height at the front. This will allow you to slightly tip the unit into the opening. Once the unit is in the correct position, the front legs can be adjusted to level the product.

Installation Instructions

STEP 4 CONNECT POWER

- Connect power cord plug to a properly grounded receptacle.
- Check to make sure power is on by opening a drawer to see if interior light turns on.
- The interior fan runs all the time except when a drawer is open.

See the Owner's Manual for further explanation of the fan.

STEP 5 SLIDE PRODUCT INTO THE CUTOUT

CAUTION: Do not push against the drawer panels with your knees. Do not push or lift the unit by the drawer handles. Damage may occur!

ATTENTION : Ne poussez jamais les panneaux de tiroir avec vos genoux. Ne poussez jamais votre appareil ou ne le soulevez jamais par les poignées de tiroir. Vous pouvez l'endommager.

- Open one of the drawers and gently push the unit back into the opening with your hands against the sides. Be careful not to entangle power cord.
- Check again to be sure the unit is level. **Adjust the leveling legs until the unit is resting firmly against the bottom of the counter to prevent rocking or movement during operation.**
- If alignment with adjacent cabinetry is an issue, use a shim to secure the unit against the underside of the countertop.

STEP 6 SET TEMPERATURE CONTROLS

- The temperature controls are preset. Refer to the Owner's Manual for more information. Allow 12–24 hours for the temperature to stabilize.

NOTE: The Double-Drawer Refrigerator operates very quietly. You may not notice the unit running, and when first installed, the fans and motor may not come on immediately – this is normal. If the display is lit and the light is working, the unit is operating.

NOTE: While performing installations described in this book, safety glasses or goggles should be worn.

For Monogram® local service in your area, call 1.800.444.1845.

NOTE: Product improvement is a continuing endeavor at General Electric. Therefore, materials, appearance and specifications are subject to change without notice.



Monogram®

GE Consumer & Industrial
Louisville, KY 40225

©2004 GE Company

Pub. No. 31-51545-1

Part No. 197D5893P003

02-04 JR

Printed in Slovenia