

# GE Monogram® Free-Standing Side-by-Side Refrigerator



Model# ZFSB25DXSS



- Counter-Depth - Aligns nearly flush with surrounding cabinetry
- Integrated Design - Stainless steel-wrapped with signature Monogram handles matches with other Monogram integrated appliances
- Advanced Temperature Management System with Multi-Shelf Air Tower - Provides even distribution of air throughout the refrigerator
- Tri-Level Lighting - GE Reveal® and LED lighting illuminates the entire refrigerator
- Climate-Control Drawer - Allows you to express-chill beverages, express-thaw meats and select specific temperatures for perishable foods
- ENERGY STAR® Qualification - Higher energy efficiency means lower utility bills
- Full-Extension Freezer Baskets - Extends 12" beyond the cabinet, providing easy loading and unloading
- Tilt-Out Freezer Door Bins - Move forward for convenient access
- Integrated Ice™ System - Frees up valuable freezer space; It tilts down, providing easy access to bulk ice
- GE Water Filtration System - Delivers clean great-tasting water and ice through the dispenser
- Adjustable Slide-Out, Spillproof Glass Shelves - Raised edges help contain spills and slide-out shelves make clean up quick and easy
- In-the-Door Beverage Rack - Conveniently located inside

## FEATURES

Control Type	Electronic
Energy Star® Qualified	Yes
ClimateKeeper2™	Yes
Defrost Type	FrostGuard™
Electronic Sensors	Yes - 5
Electronic Temperature Controls	Digital Temperature Display
Interior Lighting	LED and GE Reveal® (Tri-Level)
Multi-Shelf Air Management Tower	Yes
Multiflow Air System	Yes
Quick Ice™	Yes
TurboCool™ Setting	Yes
Upfront, Electronic Touch Temperature Controls	Yes
Automatic Icemaker	Factory-Installed; Integrated
Dispenser	Extra-Tall w/ Cubes, Crushed Ice & Chilled Water
Dispenser Child Lock	Yes
Dispenser Light	Yes
Door Alarm	Yes
GE Water Filtration	1 Year
Ice Storage Bin	Integrated
Integrated Ice™ System	Yes
Water Filter Indicator Light	Yes
3-Stack Drawer System	Yes
Bottom Drawer	Express Chill™, ExpressThaw™ & SelectTemp™ Full Extension
Clear Lexan Bins and Pans	Yes
Climate Control Drawer	Express Chill, Express Thaw, Select Temp
Deli Drawer	Sealed
Produce Drawer	Sealed Adj. Humidity
Vegetable / Fruit Crisper(s)	Adjustable Humidity
Adjustable Spillproof Glass Shelves	Yes
Fresh Food Cabinet Shelves - Total Number of Shelves	3 Glass
Fresh Food Door Bins	5 (4 Adjustable; 2 with Gallon Storage)
Dairy Compartment	Yes
In-the-Door Beverage Rack	Yes
Snugger Clip(s)	2
Wine Caddy	Yes
Freezer Door Bins - Tilt-Out	3 (2 Adjustable)
Freezer Interior Light	Yes
Freezer Storage Basket	3 (2 Full-Extension)
Slide-Out Freezer Baskets	3 (2 Full-Extension)
Leveling System	4 Point Front Adjustable

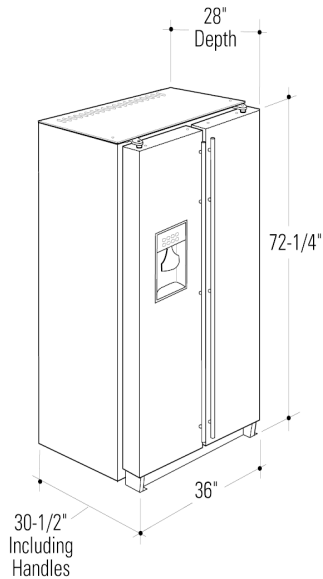
the refrigerator door to increase flexibility and to free up valuable shelf space

*To locate a GE Monogram dealer, call 1-800-626-2000*

# GE Monogram® Free-Standing Side-by-Side Refrigerator



Model# ZFSB25DXSS



## APPROXIMATE DIMENSIONS (HxDxW)

- 72 in x 30 in x 36 in

## CAPACITY

- Total Capacity (cubic feet) 24.60 cu ft
- Fresh Food Capacity 15.28 cu ft
- Freezer Capacity 9.32 cu ft
- Shelf Area 20.20 sq ft

## WARRANTY

- Parts Warranty - Limited 1-year entire appliance  
Limited 5-year sealed refrigerating system
- Labor Warranty - Limited 1-year entire appliance  
Limited 5-year sealed refrigerating system
- Warranty Notes - For models produced on or after  
January 1, 2006  
See written warranty for full details

## FEATURES, continued

Exterior Style	Free-Standing
----------------	---------------

To locate a GE Monogram dealer, call 1-800-626-2000