



**Monogram®**

## ZDBC240NBS – GE Monogram Stainless Steel Beverage Center

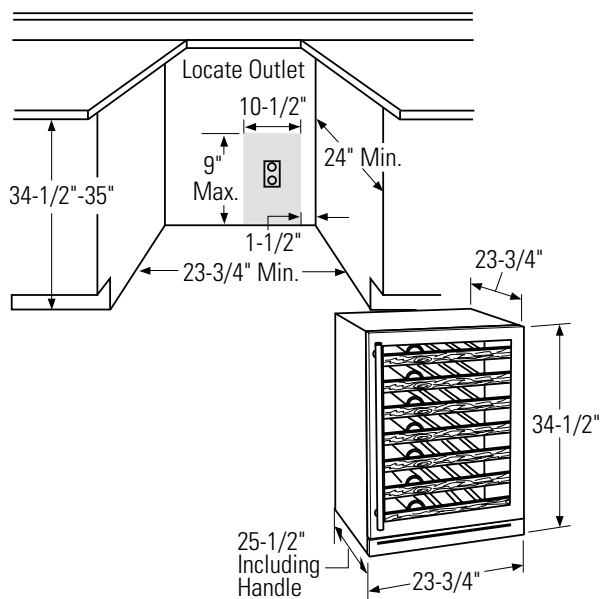
### Dimensions and Specifications (in inches)

#### Installation Space

The Monogram® Beverage Center may be installed beneath a countertop or can be used free-standing.

- If installing between frameless cabinets, a 1/2"-wide filler strip or side panel may be required. The filler strip will act as a spacer between the door case and adjacent cabinet and will prevent interference with cabinet door swing. The width of the opening must include filler panels.

**Note:** When installed, the door should project forward 1" of adjacent 24"-deep cabinets.



#### Location Requirements

All Monogram Refrigeration Modules may be closed in on the top and sides as long as the front is unobstructed for air circulation and door swing.

- Do not install these products where the temperatures will go below 55°F (13°C) or above 90°F (32°C).
- Do not install where they will be subject to direct sunlight, heat or moisture.
- These products are not designed to be stacked one over the other.

**Specification Revised 5/04**

120022

#### Side-by-Side Installation

For a complete refreshment center, install a Monogram Wine Reserve and Beverage Center together.

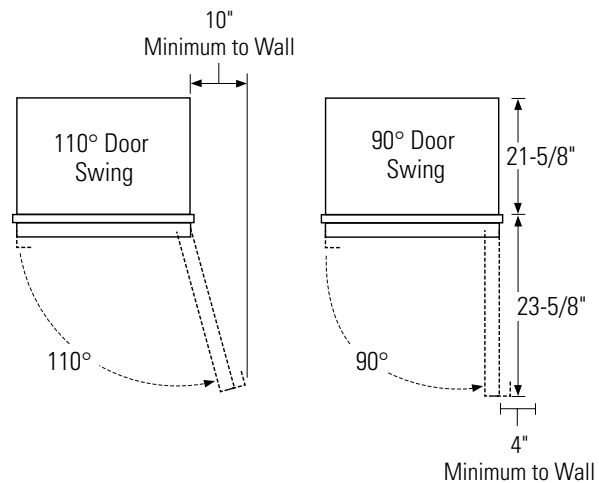
- Products must operate from separate properly grounded receptacles.

#### Door Swing Clearances

All Monogram Refrigeration Modules are factory set for a 110° door swing.

#### When installed in a corner:

- Allow the minimum door swing clearances shown.
- The minimum clearance shown at 90° will allow full extension of drawers and shelves.



#### Electrical

A 120V, 60Hz, 15 or 20 amp power supply is required. An individual properly grounded branch circuit or circuit breaker is recommended. Install a properly grounded 3-prong electrical recessed into the back wall as shown. Electrical must be located on rear wall as shown.

**Note:** GFCI (ground fault circuit interrupter) is not recommended.



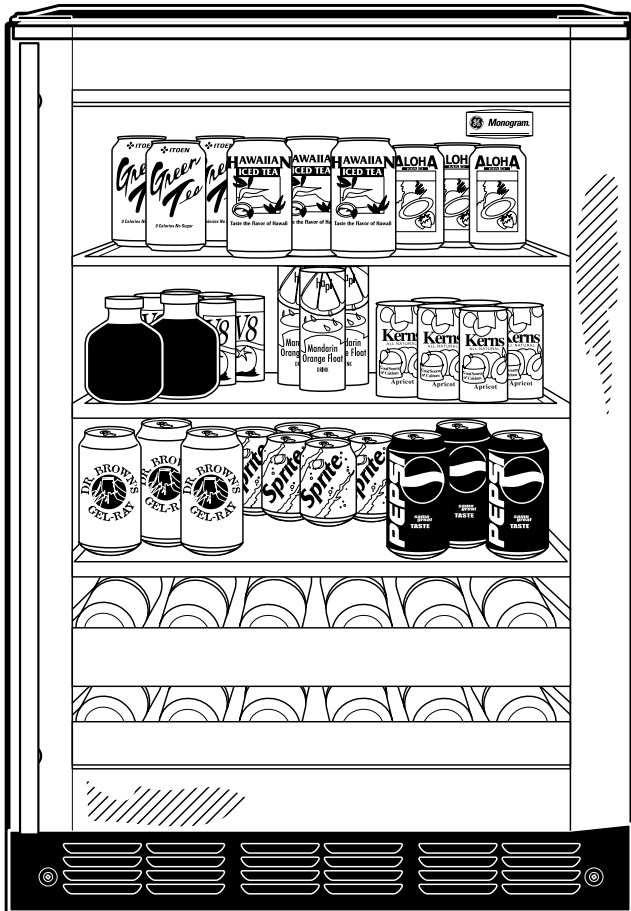
Listed by  
Underwriters  
Laboratories

For answers to your Monogram®, GE Profile™ or GE® appliance questions, visit our website at [GEAppliances.com](http://GEAppliances.com) or call GE Answer Center® service, 800.626.2000.



**Monogram®**

## ZDBC240NBS – GE Monogram Stainless Steel Beverage Center



### Features and Benefits

- Adjustable manual thermostat – Maintains the ideal temperature for aging or serving wine
- Removable spillproof glass shelves – Helps contain spills for ease of cleaning
- Beverage shelf on full-extension slides – Holds up to five wine bottles or ten 12-oz. cans
- Unfinished heart-of-cherry wood shelf fronts – Can be finished to complement surrounding cabinetry
- See-through glass door – Affords a full view of contents
- Soft interior lighting – Automatically illuminates when the door is open, but can be activated by an internal on/off switch
- Stainless steel tubular handle – Designed to coordinate with other Monogram appliances
- Flush installation – Allows near-seamless integration with surrounding cabinetry
- Reversible door swing – Easily reversed to left or right door swing as needed
- Model ZDBC240NBS – Stainless steel