



NOTICE OF SPECIFICATION ADDENDUM (06/05)

The specifications for the hood that you are installing or plan to install will have one of two different blower outlet configurations (round or rectangular). Please reference the appropriate specification sheet for information that pertains to your specific configuration.

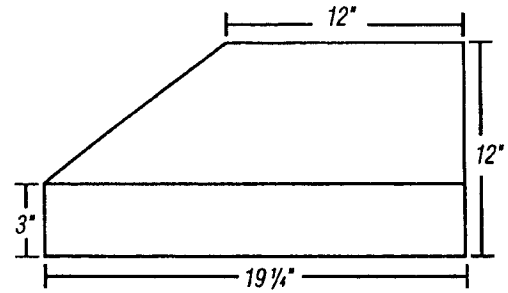
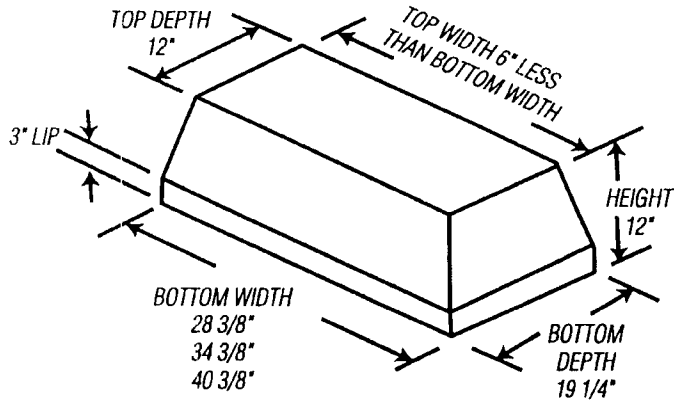
If there is any question as to what type of unit you will be receiving or currently have, please contact your dealer or distributor for assistance.

Vent-A-Hood SPECIFICATION SHEET

BSLD LINER

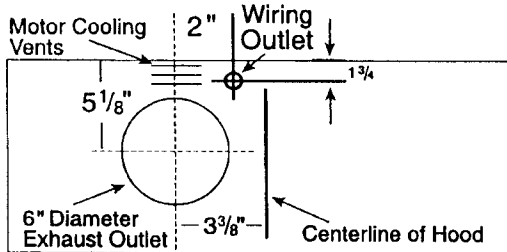
MODELS: Wall Mount Liner BSLD, BHSLD

This model not available with remote blower or heat lamps. Note: "H" in part number indicates halogen lighting.

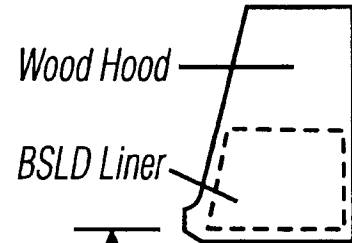
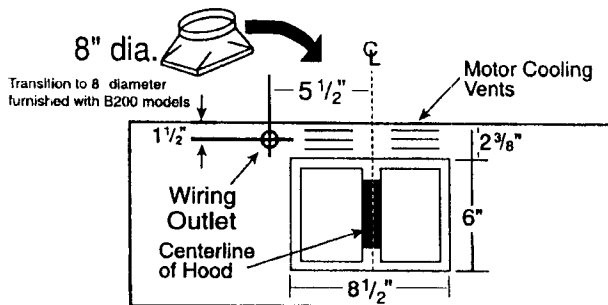


Side View

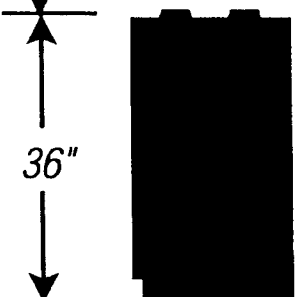
TOP VIEW - B100 Single Blower Location



TOP VIEW - B200 Dual Blower Location



24" - 27"



ELECTRICAL/MECHANICAL SPECIFICATIONS FOR BLOWER UNITS

Model	Motor	Type	Volts	Amps	HZ	RPM	CFM SP@.0"	Equivalent CFM	CFM SP@.0.1"	CFM SP@.0.2"	CFM SP@.0.3"	Minimum Round Duct Size	Square Inches
B100 Single	1/25	Shaded Pole	115	1.7*	60	1550	300	450	286	270	240	6" (or equivalent)	28
B200 Dual	(2) 1/25	(2) Shaded Pole	115	3.4*	60	1550	600	900	572	540	480	8" (or equivalent)	50

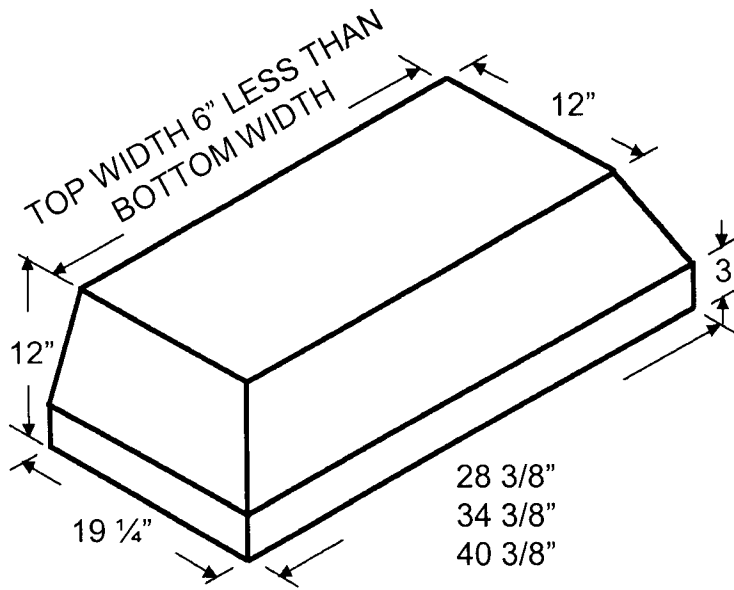
* Note: Add 1.0 additional amp for each halogen bulb. Equivalent CFM explained in the checklist on page 19 of literature.

Lighting: Liner is available with fluorescent light (1 for each single or dual blower) or with halogen lights: 28 3/8" to 40 3/8" - 2 lights.

SPECIFICATIONS SUBJECT TO CHANGE WITHOUT NOTICE.

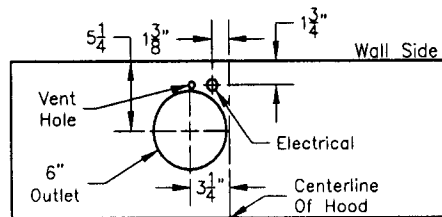
Vent Hood® WALL MOUNT LINER INSERT SPECIFICATIONS

BSLD/BHSLD LINER "H" in part number indicates halogen lighting. This model not available with heat lamps.

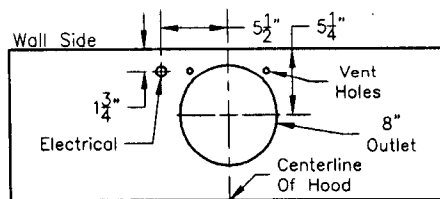


BSLD/BHSLD

Blower Outlet Diagrams (28 3/8", 34 3/8", 40 3/8" Widths)

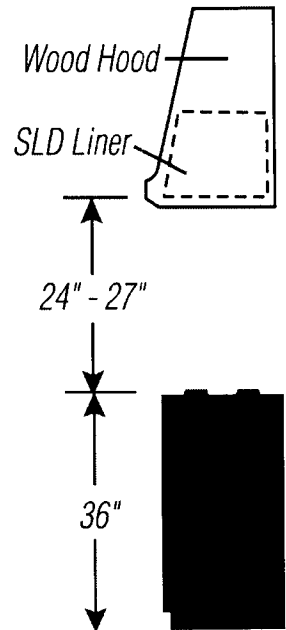


Top View--B100 Single Blower



Top View--B200 Dual Blower

Mounting Height



Electrical/Mechanical Specifications For Blower Units

Model	Motor	Type	Volts	Amps	HZ	RPM	CFM SP@0.0"	Equivalent CFM	CFM SP@0.1"	CFM SP@0.2"	CFM SP@0.3"	Minimum Round Duct Size	Square Inches
B100 Single	1/25	Shaded Pole	115	1.7•	60	1550	300	450	286	270	240	6" (or equivalent)	28
B200 Dual	(2) 1/25	(2) Shaded Pole	115	3.4•	60	1550	600	900	572	540	480	8" (or equivalent)	50

●Note: Add .5 amp for each halogen bulb. Equivalent CFM refers to the fact that the Magic Lung blower uses centrifugal filtration units, whereas others use conventional filters. Apply this guideline when comparing blower units made by other manufacturers. Hood is available with fluorescent light (1 for each single or dual blower) or with halogen lights- 24" to 41" 2 lights, 42" to 53" 3 lights, 54" to 66" 4 lights, over 66" 1 light for each 16" hood width.