

CABINET OR WALL CUTOUT

Cutout Dimensions

Height (A)		
Minimum	16 3/4"	(42.5 cm)
Maximum	17"	(43.2 cm)
Width (B)		
Minimum	24 3/8"	(61.9 cm)
Maximum	24 11/16"	(62.7 cm)
Depth (C)		
Minimum	20"	(50.8 cm)

ELECTRICAL OUTLET LOCATION

Outlet should NOT be in the shaded area as indicated on Illustration 1

NOTE 1: If the Depth (C) dimension is greater than 21" (53.3 cm), the outlet location may be in any area on the rear wall.

NOTE 2: The floor of the opening should be constructed of plywood strong enough to support the weight of the oven and floor load (approximately 100 pounds). The floor should be level for proper operation of the oven. Be sure to check the local building code as it may require that the opening be enclosed with side, ceiling and rear partition. The proper functioning of the oven does not require the enclosure.

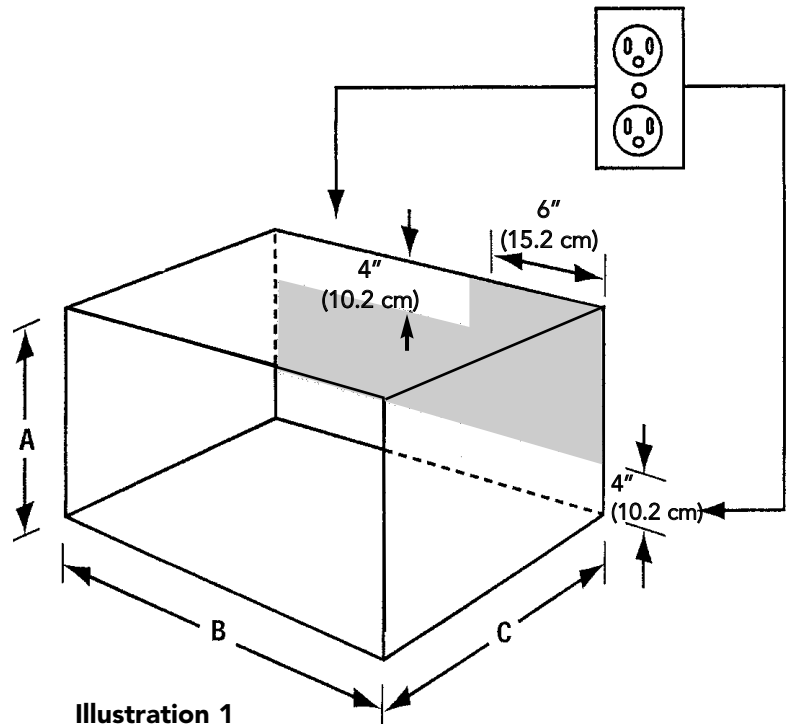


Illustration 1

EXHAUST DUCT ASSEMBLY

1. Place the Exhaust Duct in the opening. When the Exhaust Duct Assembly is in the opening correctly, the flanges will be tightly against the lower edge of the opening. See Illustration 2.
2. Secure the Exhaust Duct Assembly with the two (1/2") screws A. **IMPORTANT:** Secure screws in outer hole.

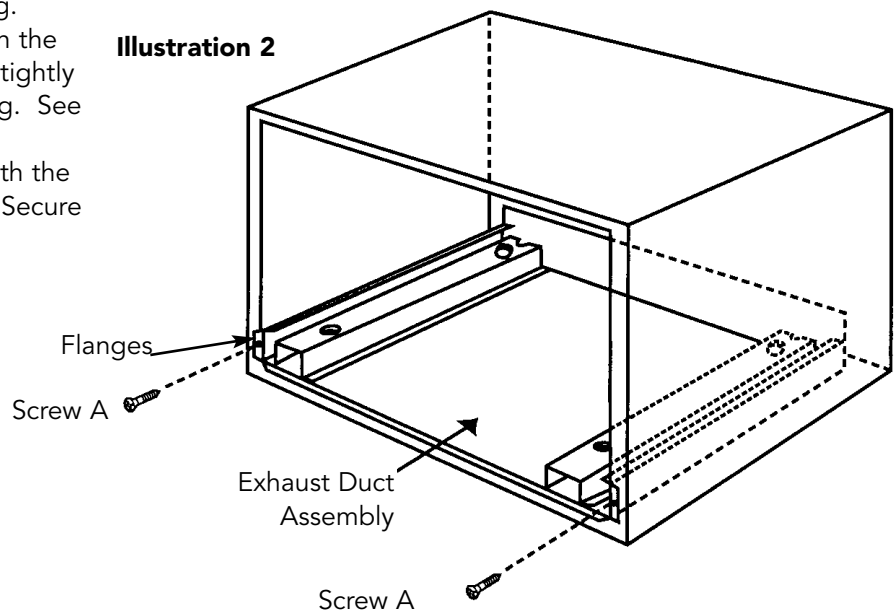


Illustration 2

BASIC SPECIFICATIONS

	Microwave Oven VMOS200	Built-In Trim Kits		
		VMTK270	VMTK300	VMTK360
Overall Width	24" (60.9 cm)	26-1/2" (67.3 cm)	29-1/2" (74.9 cm)	35-1/4" (89.5 cm)
Overall Height from Bottom	13-3/8" (33.9 cm)	18-1/4" (46.3 cm)	18-1/4" (46.3 cm)	18-1/4" (46.3 cm)
Overall Depth from Rear	19-3/8" (49.2 cm)	N/A	N/A	N/A
Oven Interior	Width - 17-3/8" (44.1 cm) Height - 10-1/2" (26.6 cm) Depth - 18-5/8" (47.3 cm) Overall - 2.0 cu. ft.	N/A	N/A	N/A
Cutout Width	N/A	Min. - 24-3/8" (61.9 cm) Max. - 24-11/16" (62.7 cm)		
Cutout Height	N/A	Min. - 16-3/4" (42.5 cm) Max. - 17" (43.2 cm)		
Cutout Depth	N/A	Min. 20" (50.8 cm)		
Electrical Requirements	120VAC/60 Hz	N/A	N/A	N/A
Max. Amp Usage	1.65 KW; 13.5 amps	N/A	N/A	N/A
Approximate Shipping Wt.	55 lbs. (24.7 kg)	14 lbs. (6.5 kg)	15 lbs. (6.9 kg)	16 lbs. (6.9 kg)

Viking Range Corporation
111 Front Street • Greenwood, Mississippi (MS) 38930 USA • (662) 455-1200

Specifications subject to change without notice

For more product information, call 1-888-VIKING1 (845-4641), or visit our web site at <http://www.vikingrange.com>