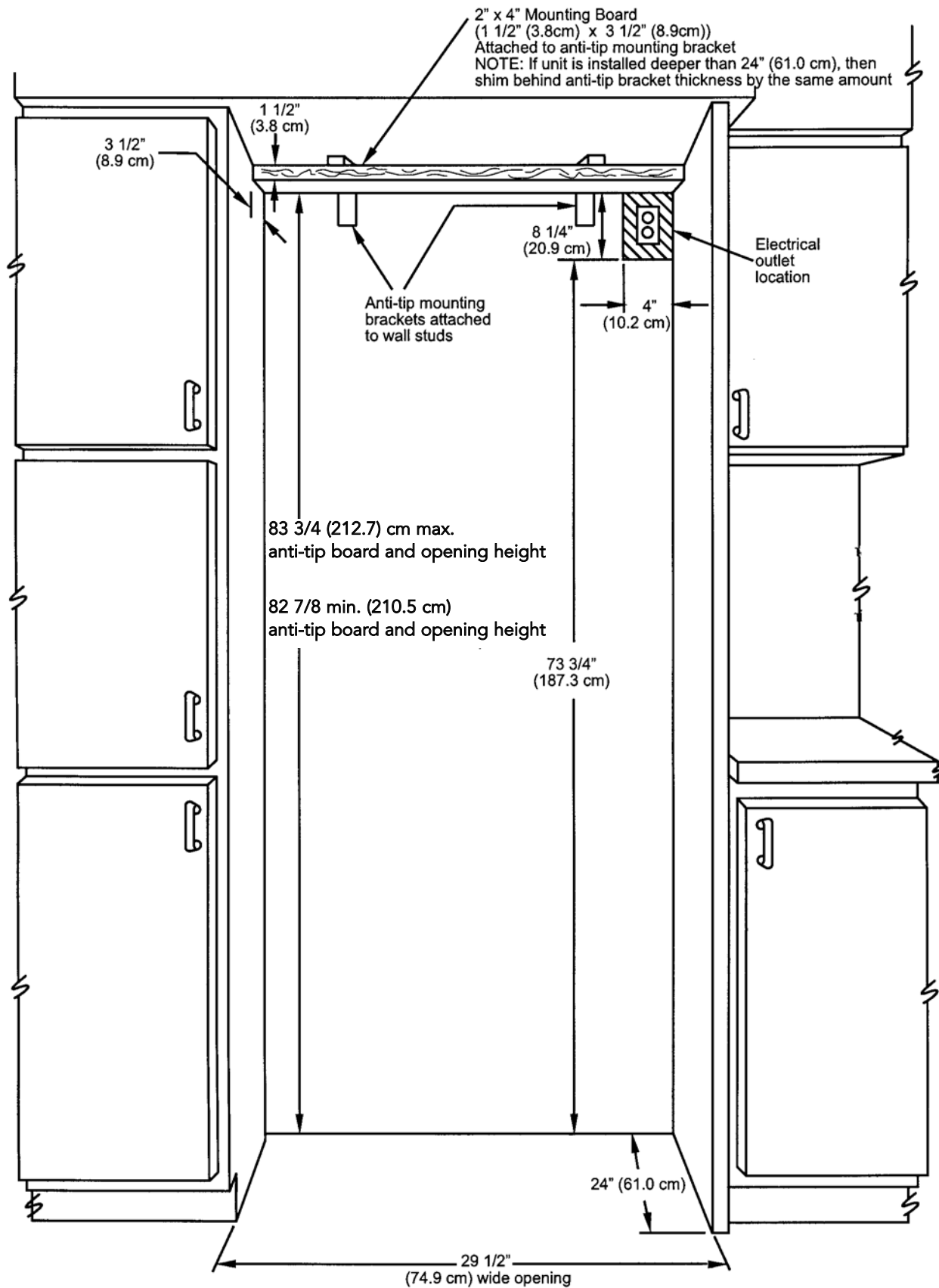
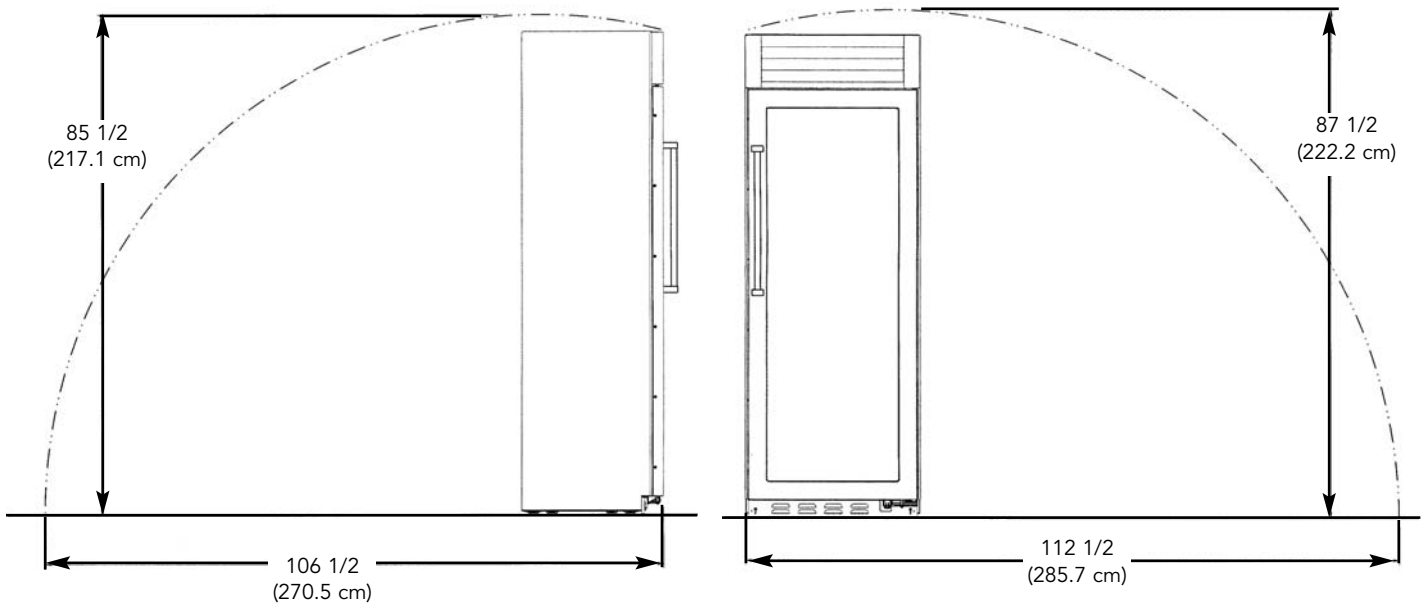
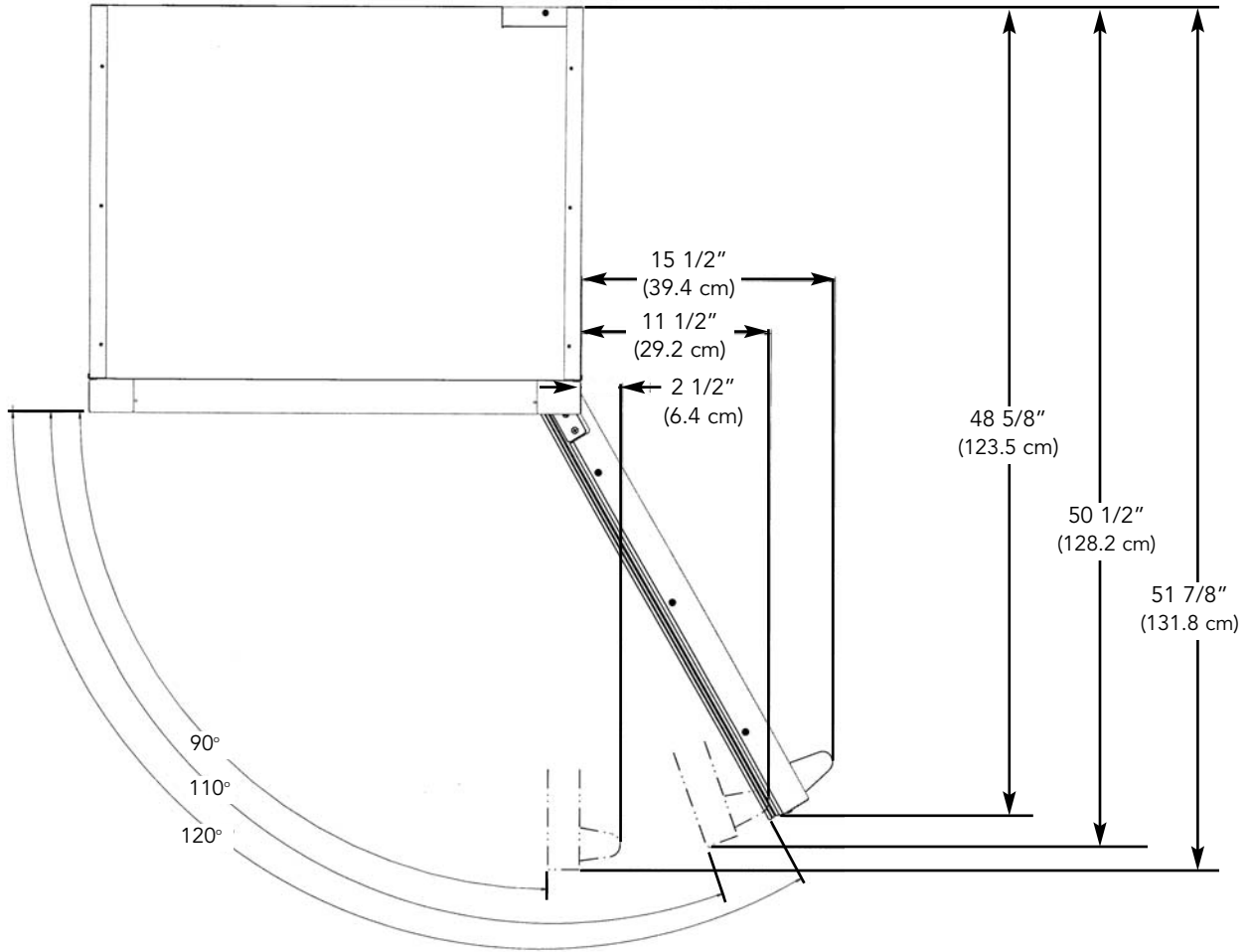


SITE PREPARATIONS AND CONSIDERATIONS

PROFESSIONAL MODEL 30" W. FULL HEIGHT WINE CELLAR CABINET OPENING DIMENSIONS



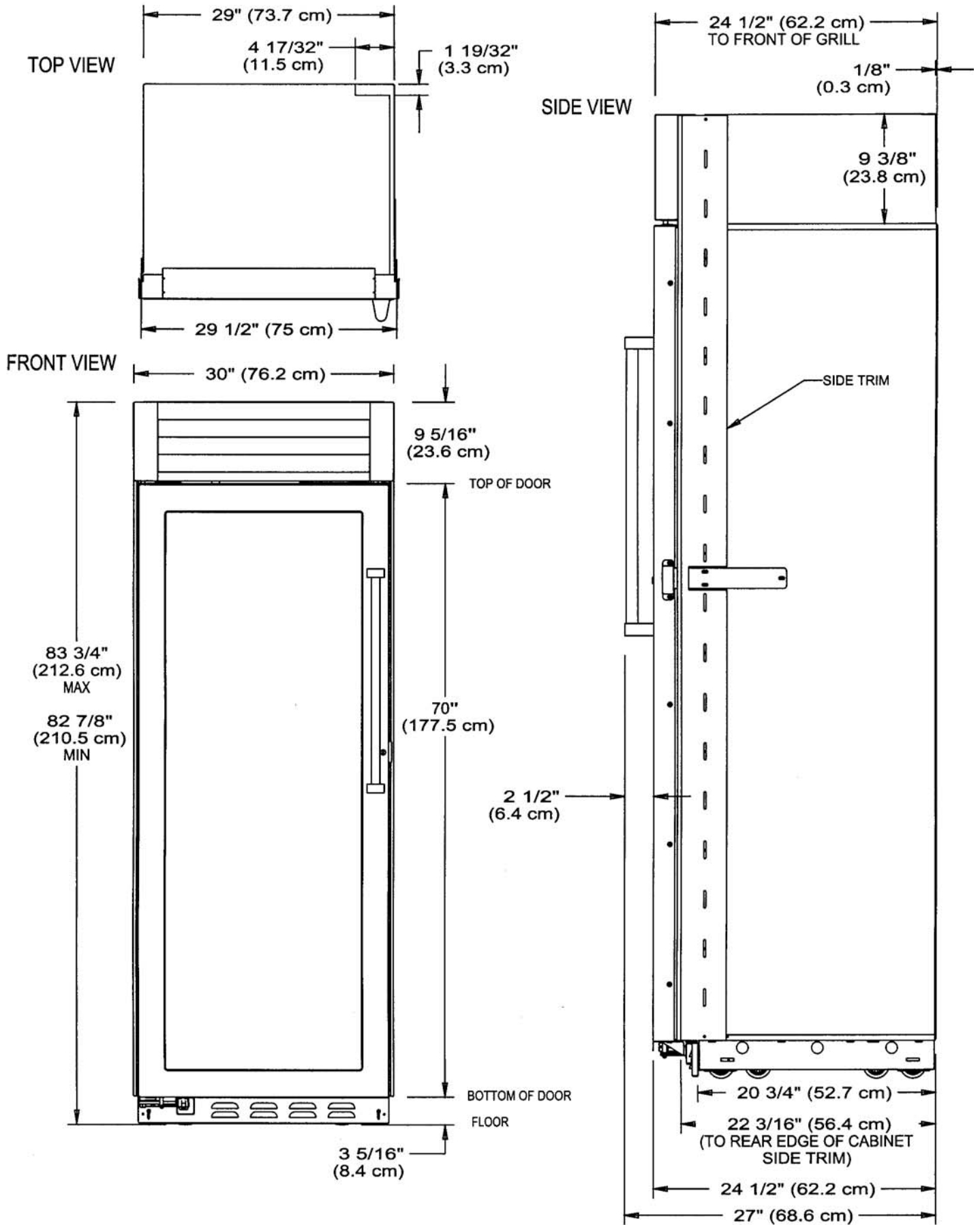
DOOR SWING AND TIPPING CONSIDERATIONS



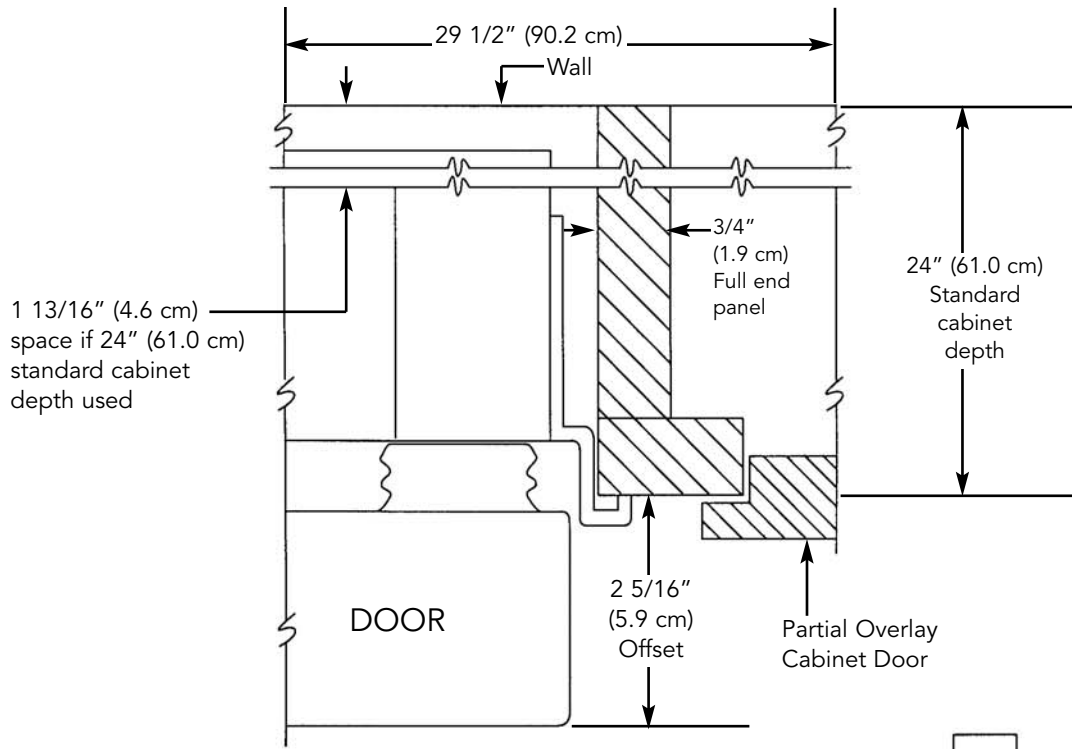
**BACKWARD
TIPPING RADIUS**

**SIDE
TIPPING RADIUS**

WINE CELLAR - OVERALL DIMENSIONS

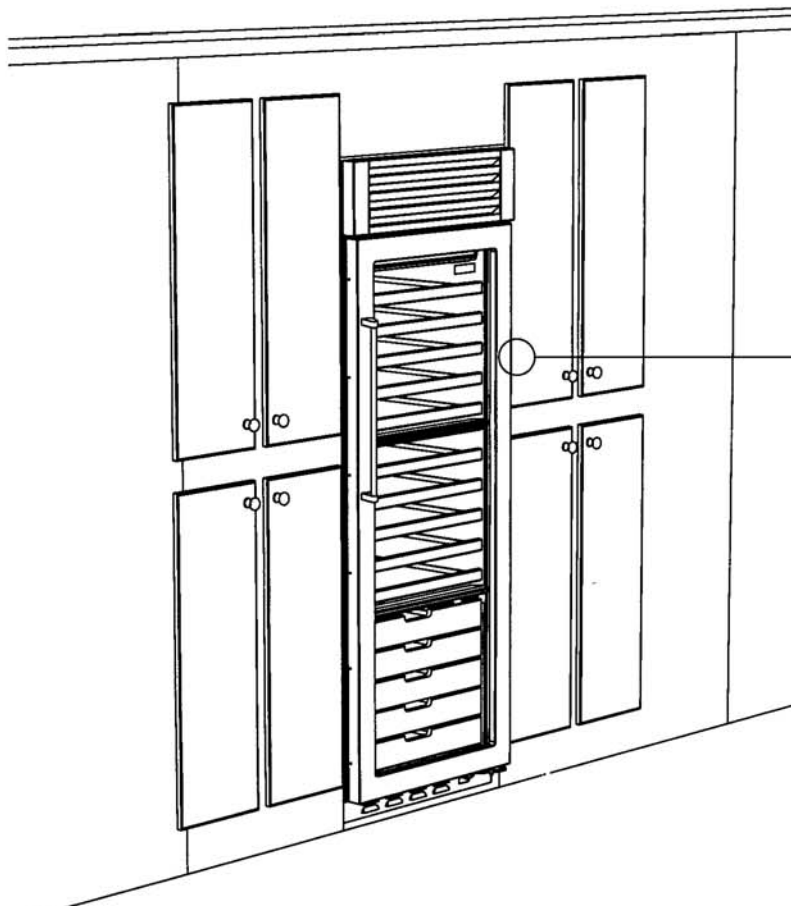


CABINET INFORMATION (continued)



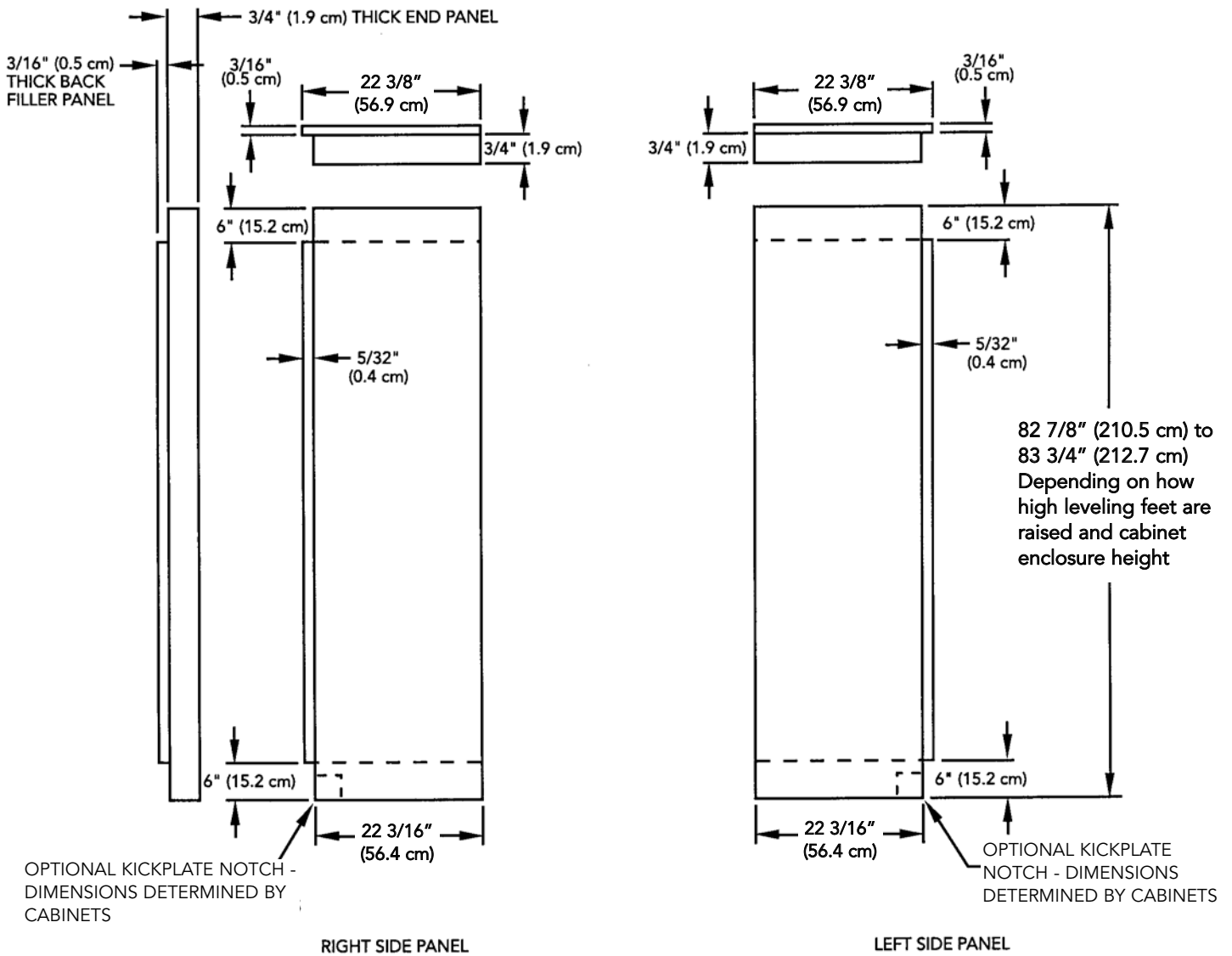
DETAIL C-C

C-C



CUSTOM SIDE PANEL DIMENSIONS

For 3/4" (1.9 cm) Side Panels



BASIC SPECIFICATIONS AND DIMENSIONS

DESCRIPTION	VCWB300
Overall Width	30" (76.2 cm)
Overall Height from Bottom	Min. 82 1/2" (209.6 cm) to Max. 83 3/4" (212.7 cm)
Overall Depth from Rear	To rear edge of side trim 22 3/16" (56.4 cm) To front of top grille 24 1/2" (62.2 cm) To end of handle bracket 27" (68.6 cm)
Cutout Width	29 1/2" (74.9 cm)
Cutout Height	82 7/8" (210.5 cm) min.; 83 3/4" (212.7 cm) max.
Cutout Depth	24" (61.0 cm) min.
Electrical Requirements	115 volt, 60 Hz, 15 amp dedicated circuit; 3-wire cord with grounded 3-prong plug attached to product.
Maximum Amp Usage	2.0 amps
Overall Capacity	150 bottles
Approximate Shipping Weight	560 lbs. (252 kg)