

# INSTALLATION INSTRUCTIONS

## PROFESSIONAL SERIES

## BUILT-IN CHIMNEY-STYLE HOODS

VIKING  
111 FRONT STREET  
GREENWOOD, MISSISSIPPI 38930 USA  
(662) 455-1200



**NOTE: IF INSTALLING HOOD WITH WARMING SHELF PANEL, INSTALL WARMING SHELF PANEL FIRST.**

### IMPORTANT - PLEASE READ AND FOLLOW

- Before beginning, please read these instructions completely and carefully.
- Do not remove permanently affixed labels, warnings, or plates from the product. This may void the warranty.
- Please observe all local and national codes and ordinances. If no local codes are applicable, wire in accordance with the National Electrical Code, ANSI/NFPA 70-latest edition.
- Check with a qualified and trained installer or local codes for makeup air requirement, if any.
- The installer should leave these instructions with the consumer who should retain for local inspector's use and for future reference.

This hood is for residential installation only and is not designed for installation over a commercial product. Make sure power is off at the main circuit breaker or fuse box before making connections. To avoid risk of fire, electric shock, or injury to persons, turn off the electricity to the hood from the power supply before servicing or cleaning.

Viking hoods are equipped with variable speed controls for blowers. These units will not function with a single speed ventilator. All Viking Range ventilator kits are designed specifically for use with Viking Range hoods. Use of any non-Viking Range ventilator kit will void the hood warranty.

### WARNING

TO REDUCE THE RISK OF FIRE, ELECTRICAL SHOCK, OR INJURY TO PERSONS, RANGEHOODS MUST BE INSTALLED WITH THE VENTILATORS THAT ARE SPECIFIED ON THEIR CARTON INDICATING SUITABILITY WITH THIS MODEL. OTHER VENTILATORS CANNOT BE SUBSTITUTED.

### WARNING

TO REDUCE THE RISK OF FIRE, ELECTRICAL SHOCK, OR INJURY TO PERSONS, OBSERVE THE FOLLOWING:

1. Installation work and electrical wiring must be done by qualified person(s) in accordance with all applicable codes and standards, including fire-rated construction.
2. Sufficient air is needed for proper combustion and exhausting of gases through the flue (chimney) of fuel burning equipment to prevent back drafting. Follow the heating equipment manufacturer's guideline and safety standards such as those published by the National Fire Protection Association (NFPA), and the American Society for Heating, Refrigeration and Air Conditioning Engineers (ASHRAE), and the local code authorities.
3. When cutting or drilling into wall or ceiling, do not damage electrical wiring and other hidden utilities.
4. Ducted fans must always be vented to the outdoors.
5. **WARNING!:** To reduce the risk of fire, use only metal ductwork.
6. **CAUTION!:** To reduce risk of fire and to properly exhaust air, be sure to duct air outside. Do not vent exhaust air into spaces within walls or ceilings, or into attics, crawl spaces, or garages.
7. **CAUTION!:** To Reduce the Risk of Fire and Electric Shock, Install this rangehood only with remote blower models manufactured by Viking, model numbers - DEV900/DEV1200, VEV900/VEV1200, or DEV1500, VEV1500 or integral blowers manufactured by Viking, model numbers - DIV300, DIV440, DIV600, DIV800, DIV1200, VIV300, VIV600, or VIV1200. **NOTE** - Please refer inside for specific canopy/blower combinations.

### WARNING

TO REDUCE THE RISK OF A RANGETOP GREASE FIRE:

1. Never leave surface units unattended at high setting. Boilovers cause smoking and greasy spillovers that may ignite. Heat oils slowly on low or medium settings.
2. Always turn hood ON when cooking at high heat or when cooking flaming foods. (i.e. Crepes suzette, Cherries jubilee, Peppercorn beef flambe).
3. Clean ventilating fans frequently. Grease should not be allowed to accumulate on fan or filter.
4. Use proper pan size. Always use cookware appropriate for the size of the surface element.

**CAUTION:** For general ventilating use only. Do not use to exhaust hazardous or explosive materials and vapors.

**BASIC SPECIFICATIONS  
INTERIOR AND EXTERIOR POWER HOODS**

**WALL HOODS**

DESCRIPTION	RECOM. CFM' (int.-interior; ext.-exterior)	NUMBER OF HALOGEN LIGHTS	250 WATT HEAT LAMPS (Sold Separately)	FILTERS	120VAC/60Hz SPACERS			MAX. AMPS3 (Interior/Exterior)
					Center	LH	RH	
30" W.	300 int./600 int./900 ext./1200 ext.	2	1	2	0	1	1	3.9/6.0/8.7/6.0
36" W. *	300 int./600 int./900 ext./1200 ext.	2	1	2	1	1	1	3.9/6.0/8.7/6.0
42"W.*	600 int./900 ext./1200 ext.	2	1	2	1	1	1	6.0/8.7/6.1
48" W.	1200 int./1200 ext./1500 ext.	3	2	2	1	1	1	11.5/8.5/9.2
54" W.	1200 int./1200 ext./1500 ext.	3	2	3	2	1	1	11.5/8.5/9.2
60" W.	1200 int./1200 ext./1500 ext.	4	2	3	2	1	1	11.9/8.9/9.7
66" W.	1200 int./1200 ext./1500 ext.	4	2	3	0	1	1	11.9/8.9/9.7

**ISLAND HOODS**

DESCRIPTION	RECOM. CFM' (int.-interior; ext.-exterior)	NUMBER OF HALOGEN LIGHTS	FILTERS	SPACERS			120VAC/60Hz MAX. AMPS3 (Interior/Exterior)
				Center	LH	RH	
36" W.*	600 int./900 ext./1200 ext.	4	4	2	2	2	3.9/6.6/3.9
42"W.*	600 int./900 ext./1200 ext./1500 ext.	4	4	2	2	2	4.7/7.4/4.8/5.5
54" W.	1200 int./1200 ext./1500 ext.	6	6	2	2	2	8.6/5.6/6.4
66" W.	1200 int./1200 ext./1500 ext.	8	8	2	2	2	9.5/6.5/7.3

\*1200 or 1500 CFM exterior ventilator should be used when installed over ranges/rangetops with gas grill.

MODEL NUMBER	CFM'	RECOMMENDED DUCT SIZE	MAX. DUCT RUN <sup>2</sup> (ft.)
<b>For Use with hoods:</b>			
DIV300 (interior)	300	7" round	50
DIV600 (interior)	600	7" round	50
DIV1200 (interior)	1200	10" round	50
DEV900 (exterior)	900	10" round	50
DEV1200 (exterior)	1200	10" round	50
DEV1500 (exterior)	1500	10" round	75

**PROPER INSTALLATION/DUCTING IS EXTREMELY IMPORTANT TO ENSURE MAXIMUM PERFORMANCE FROM ANY VENTILATION PRODUCT**

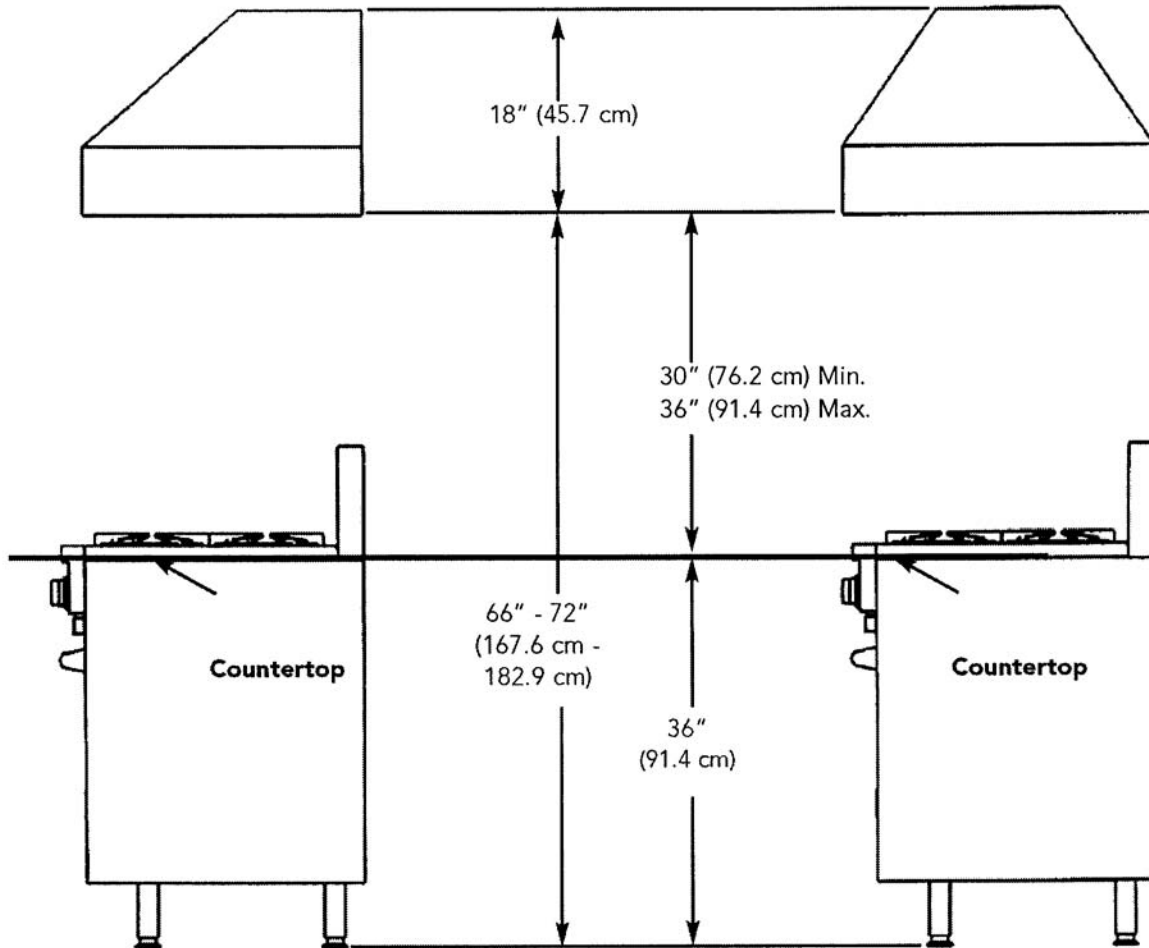
- All CFMs stated are based on tests at .1 static pressure: without applying static pressure, CFM would be greatly overstated.
- Duct run length is for general reference only; for longer duct runs, increase duct size and contact a qualified and trained installer.
  - Straight runs and gradual turns are best; for example, each 90o elbow is equivalent to 5-10 feet (1.52 - 3.05 cm) of straight run.
  - Never use flexible duct; it creates back pressure/air turbulence and greatly reduces performance.
  - Proper performance is dependent upon proper ducting; make sure that a qualified and trained installer is used.
  - Check with a qualified and trained installer or local codes for makeup air requirement, if any.
- Max. amp rating for hoods includes recommended ventilator kit rating; all products must be hard wired direct with 2-wire with ground.

## HEIGHT OF HOOD

The bottom of the hood should be 30" (76.2 cm) min. to 36" (91.4 cm) max. above the countertop. This would typically result in the bottom of the hood being 66" (167.6 cm) to 72" (175.3 cm) above the floor. The bottom of the hood should never be more than 72" (182.9 cm) above the floor or more than 36" (91.4 cm) above the countertop. These dimensions provide for safe and efficient operation of the hood.

### WALL INSTALLATION

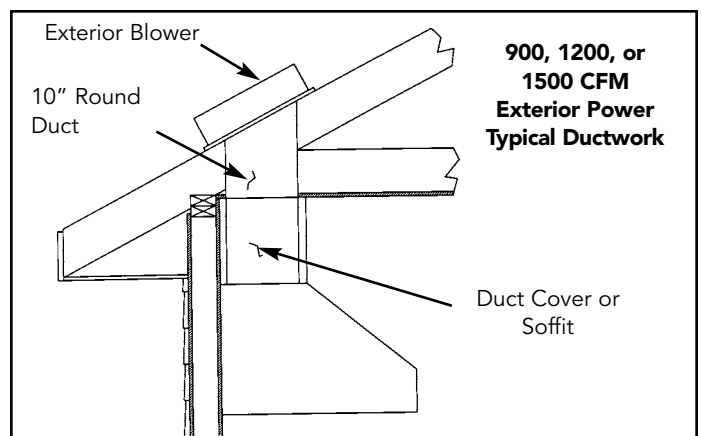
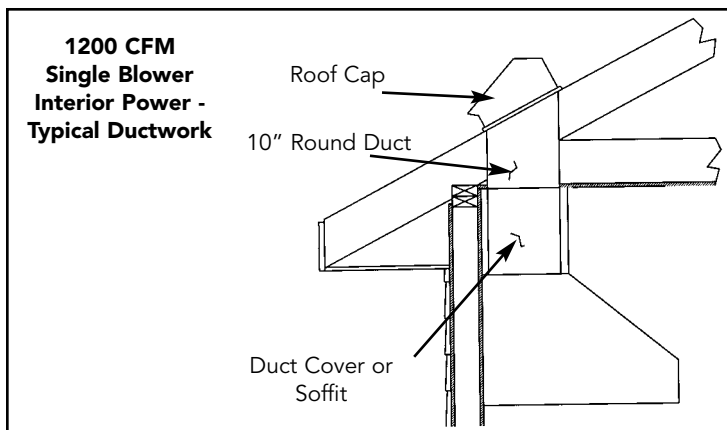
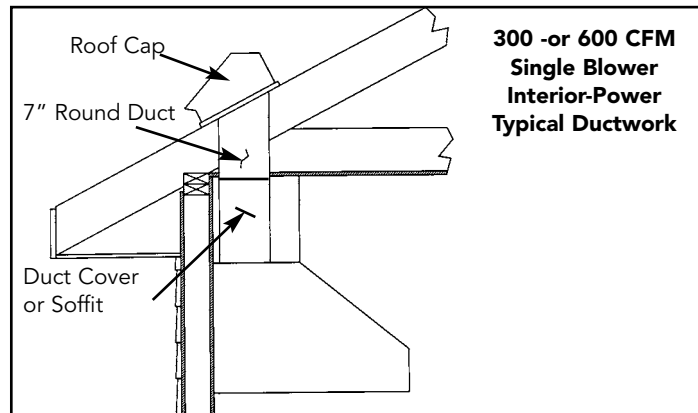
### ISLAND INSTALLATION



## PREPARING FOR HOOD INSTALLATION

Plan where the ductwork will be located. See pages 11-14 for rough-in dimensions. Install proper-sized duct work, and roof or wall cap for the type of blower you are using. Recommended hood locations for the most common installations are shown on page 2.

Adjust your measurements for various heights of ceilings, soffits, cabinets, or ranges/rangetops.



## ELECTRICAL SUPPLY

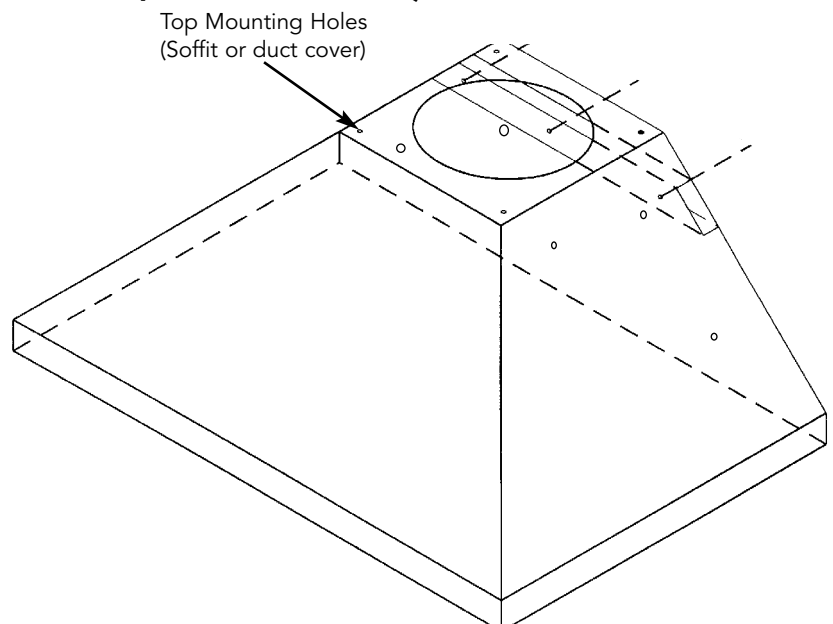
Run 120 VAC electrical power cable from service panel to installation location. See "Basic Specifications" on page 15 for the maximum amp requirements.

## (BEFORE INSTALLING ISLAND HOOD CANOPY, SKIP TO PAGE 5)

## INSTALLING HOOD CANOPY

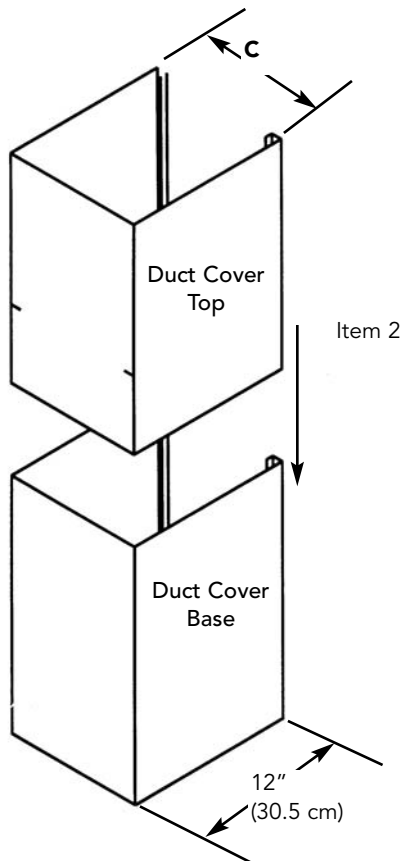
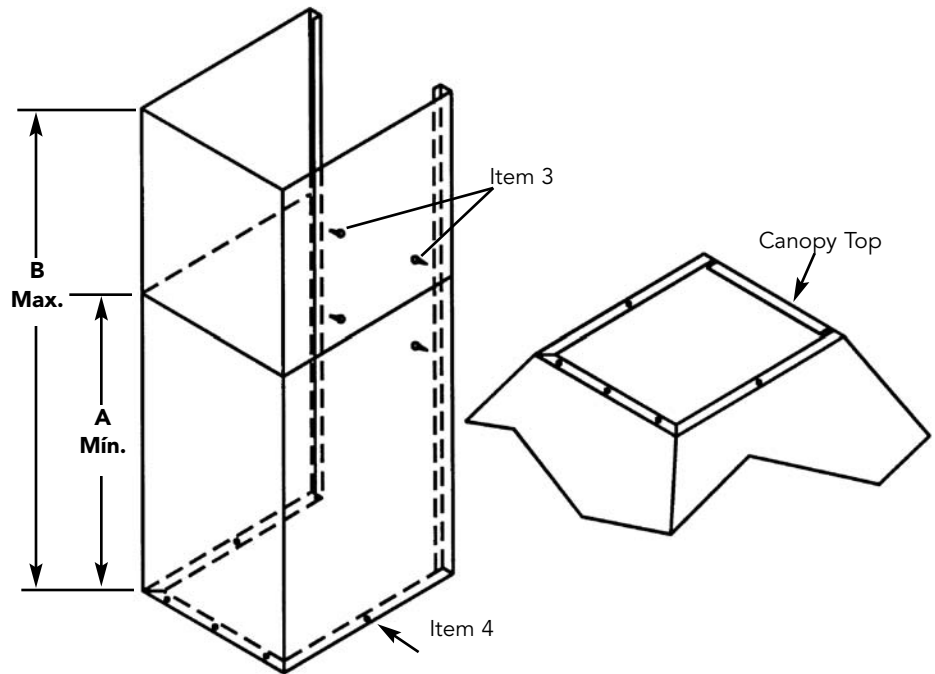
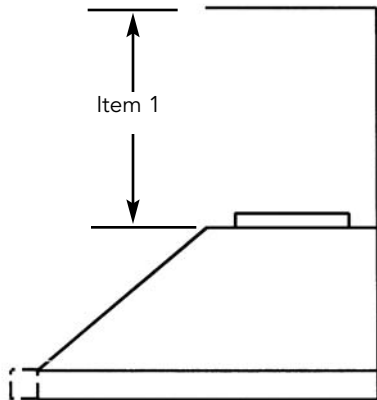
Center the canopy and attach to wall. Secure the hood to wall with mounting screws provided. Make sure that the mounting screws are driven into the framing and not just the drywall. Use additional mounting screws (and wall anchors if necessary) in the other holes.

**NOTE: BECAUSE OF THE WEIGHT OF THE HOOD - MAKE SURE THAT THE MOUNTING SCREWS ARE DRIVEN INTO THE FRAMING AND NOT JUST THE DRYWALL. IT MAY BE NECESSARY TO DRILL ADDITIONAL HOLES IN THE CANOPY FOR PROPER ALIGNMENT.**



## INSTALLING THE WALL HOOD DUCT COVER

1. Measure from top of the canopy to ceiling and subtract 1/8" (0.3 cm) for clearance.
2. Place the duct cover top inside the duct cover base and lower until desired height is found. (To eliminate scratches, make a mark on the duct cover top for the desired lowering point by subtracting 18" (45.7 cm) from the total height needed.)
3. Use the retaining nuts and bolts to fasten in place.
4. Slide the duct cover in place and fasten from inside canopy using the sheet metal screws provided.
5. Note: For installations with ceilings above 9' (22.9 cm), use optional duct extensions. See product literature for details

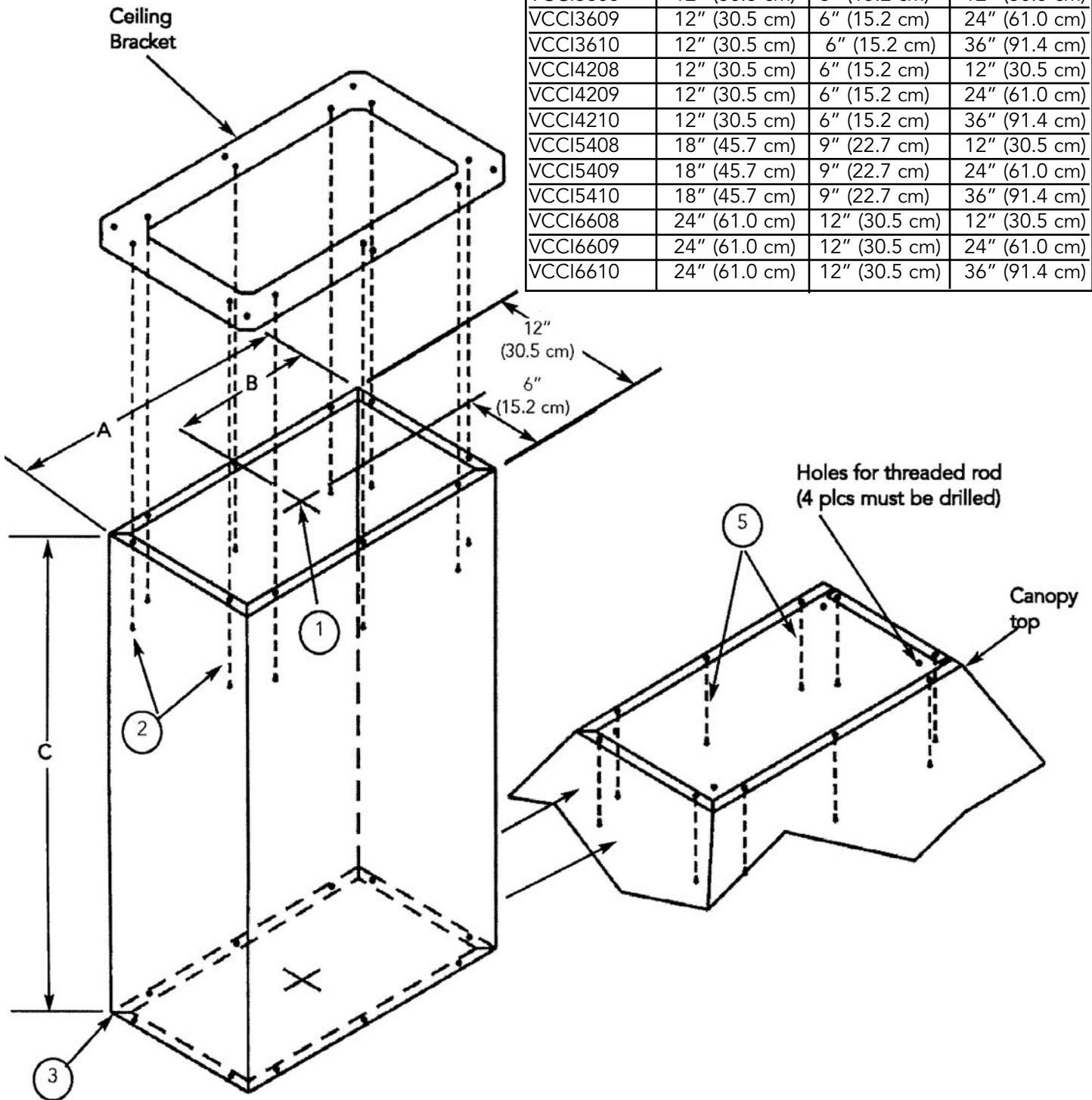


Model	"A" Min.	"B" Max	"C"
VCWH3048	12" (30.5 cm)	24" (61.0 cm)	12" (30.5 cm)
VCWH3648	12" (30.5 cm)	24" (61.0 cm)	12" (30.5 cm)
VCWH4248	12" (30.5 cm)	24" (61.0 cm)	12" (30.5 cm)
VCWH4848	12" (30.5 cm)	24" (61.0 cm)	18" (45.7 cm)
VCWH5548	12" (30.5 cm)	24" (61.0 cm)	18" (45.7 cm)
VCWH6048	12" (30.5 cm)	24" (61.0 cm)	24" (61.0 cm)
VCWH6648	12" (30.5 cm)	24" (61.0 cm)	24" (61.0 cm)

## INSTALLING THE ISLAND HOOD DUCT COVER

1. Cut hole in ceiling for 10" diameter duct.
2. Attach duct cover mounting bracket to the top of the duct cover with the nuts and screws provided.
3. Using the screws provided, mount the bracket to the ceiling. Make sure the area is able to support at least 200 lbs. (Center duct cover with 10" diameter hole.)
4. Run duct work down to bottom edge of duct cover and secure in place. Make sure the duct does not stick down past the cover.
5. Attach duct cover to the top of the canopy with screws provided. Additional support can be added by running threaded rod from the ceiling to the top of the canopy at all four corners. Holes must be drilled.
6. Install blower. (See ventilation kit installation.)

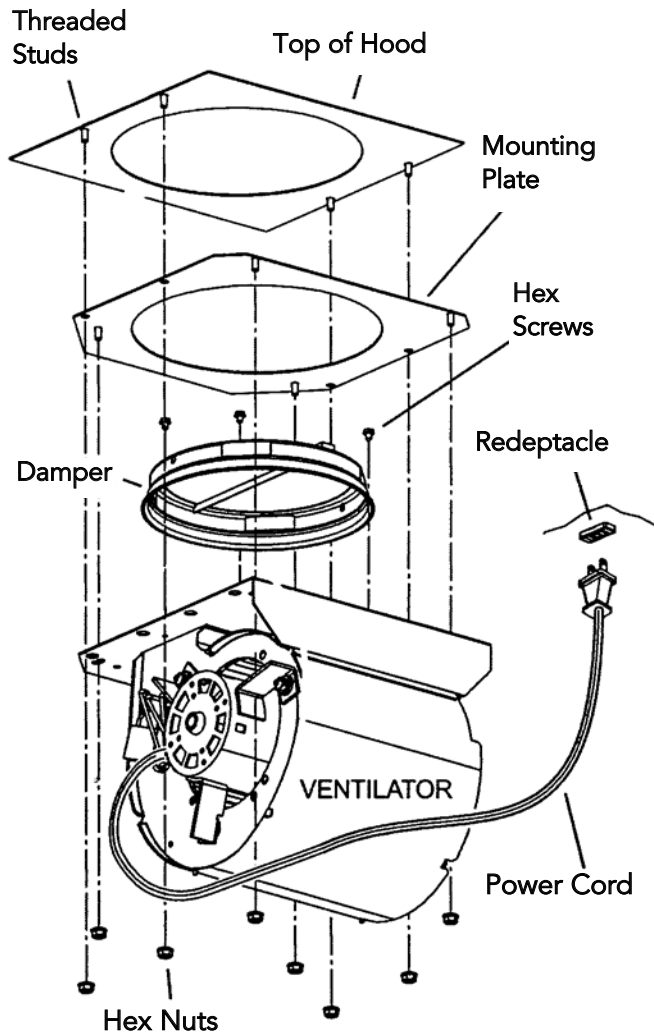
Model	"A"	"B"	"C"
VCCI3608	12" (30.5 cm)	6" (15.2 cm)	12" (30.5 cm)
VCCI3609	12" (30.5 cm)	6" (15.2 cm)	24" (61.0 cm)
VCCI3610	12" (30.5 cm)	6" (15.2 cm)	36" (91.4 cm)
VCCI4208	12" (30.5 cm)	6" (15.2 cm)	12" (30.5 cm)
VCCI4209	12" (30.5 cm)	6" (15.2 cm)	24" (61.0 cm)
VCCI4210	12" (30.5 cm)	6" (15.2 cm)	36" (91.4 cm)
VCCI5408	18" (45.7 cm)	9" (22.7 cm)	12" (30.5 cm)
VCCI5409	18" (45.7 cm)	9" (22.7 cm)	24" (61.0 cm)
VCCI5410	18" (45.7 cm)	9" (22.7 cm)	36" (91.4 cm)
VCCI6608	24" (61.0 cm)	12" (30.5 cm)	12" (30.5 cm)
VCCI6609	24" (61.0 cm)	12" (30.5 cm)	24" (61.0 cm)
VCCI6610	24" (61.0 cm)	12" (30.5 cm)	36" (91.4 cm)



## VENTILATOR KIT INSTALLATION DIV300

(Also see instructions supplied with ventilator kit)

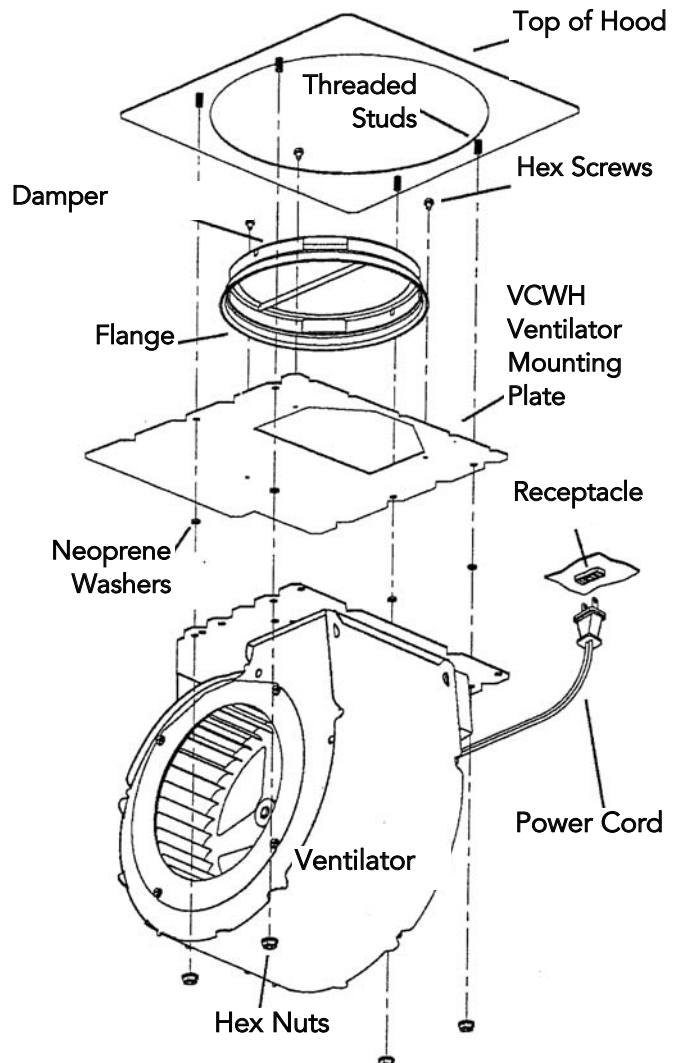
1. Attach DAMPER to VENTILATOR, as shown, using three (3) HEX SCREWS (provided). NOTE: Damper flange to be captured by screw heads.
2. Attach VENTILATOR to (4) THREADED STUDS on MOUNTING PLATE using (4) HEX NUTS (provided).
3. Lift ventilator into position inside the hood.
4. Fasten ventilator to four (4) THREADED STUDS< using four (4) HEX NUTS (provided).
5. Plug ventilator's POWER CORD into RECEPTACLE inside the hood.



## VENTILATOR KIT INSTALLATION DIV600

(Also see instructions supplied with ventilator kit)

1. Choose the correct VENTILATOR MOUNTING PLATE for your hood series.
2. Attach DAMPER to VENTILATOR, as shown, using three (3) HEX SCREWS (provided). NOTE: Damper flange to be captured by screw heads.
3. Slide mounting plate/damper assembly into hood and onto four (4) THREADED STUDS, as shown. Slide four (4) NEOPRENE WASHERS onto threaded studs to temporarily hold plate to hood.
4. Rotate ventilator 90 degrees and lift ventilator into position inside the hood.
5. Rotate ventilator back to orientation shown.
6. Fasten ventilator to four (4) THREADED STUDS, using four (4) HEX NUTS (provided).
7. Plug ventilator's POWER CORD into RECEPTACLE inside the hood.

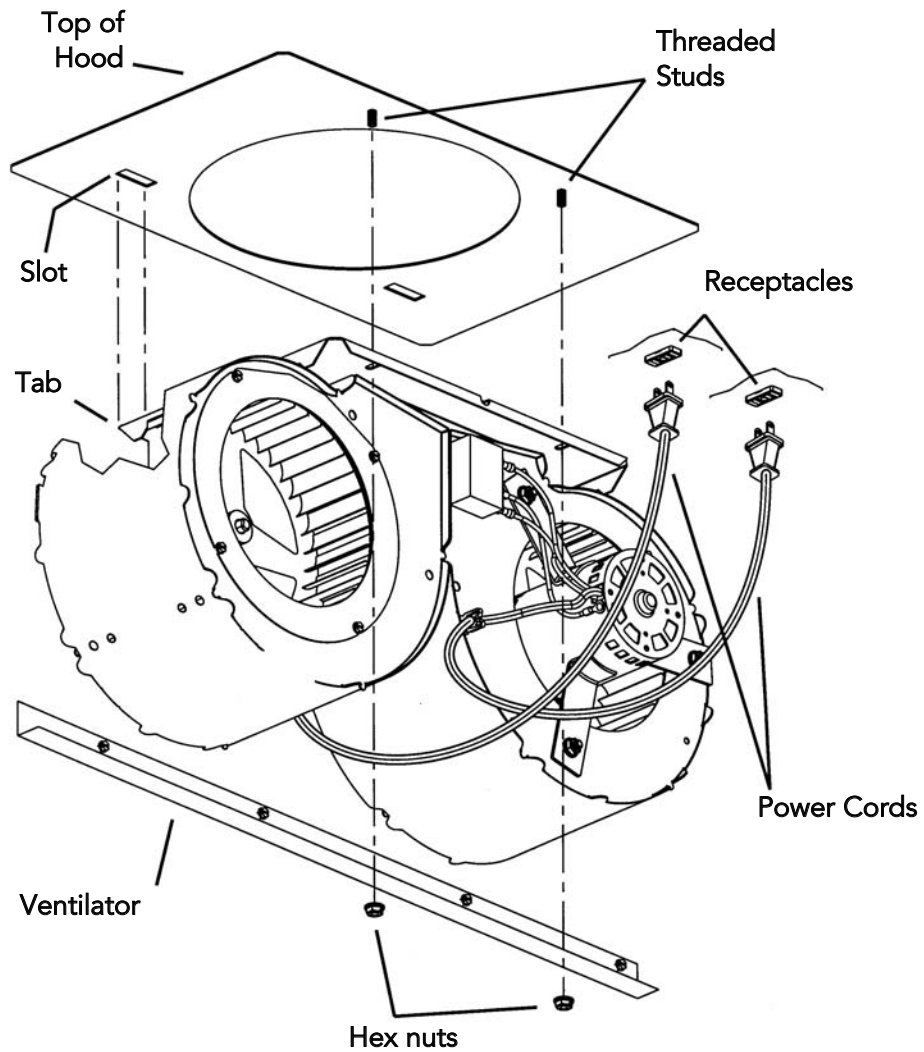


# VENTILATOR KIT INSTALLATION

## DIV1200

(ALSO SEE INSTRUCTIONS SUPPLIED WITH VENTILATOR KIT)

1. Remove REAR FILTER RAIL from hood.
2. Lift VENTILATOR into position inside the hood.
3. Engage two (2) TABS on ventilator into two (2) SLOTS in TOP OF HOOD. Secure ventilator to THREADED STUDS with two (2) HEX NUTS (provided).
4. Plug ventilator's POWER CORDS into RECEPTACLES inside the hood.
5. Replace rear filter rail.
6. Fasten the provided plate with #10 x 1/2" sheet metal screws to cover electrical box opening.





# CONNECTING DUCTWORK -EXTERNAL POWER DEV900/DEV1200/DEV1500

(Also see instructions supplied with ventilator kit)

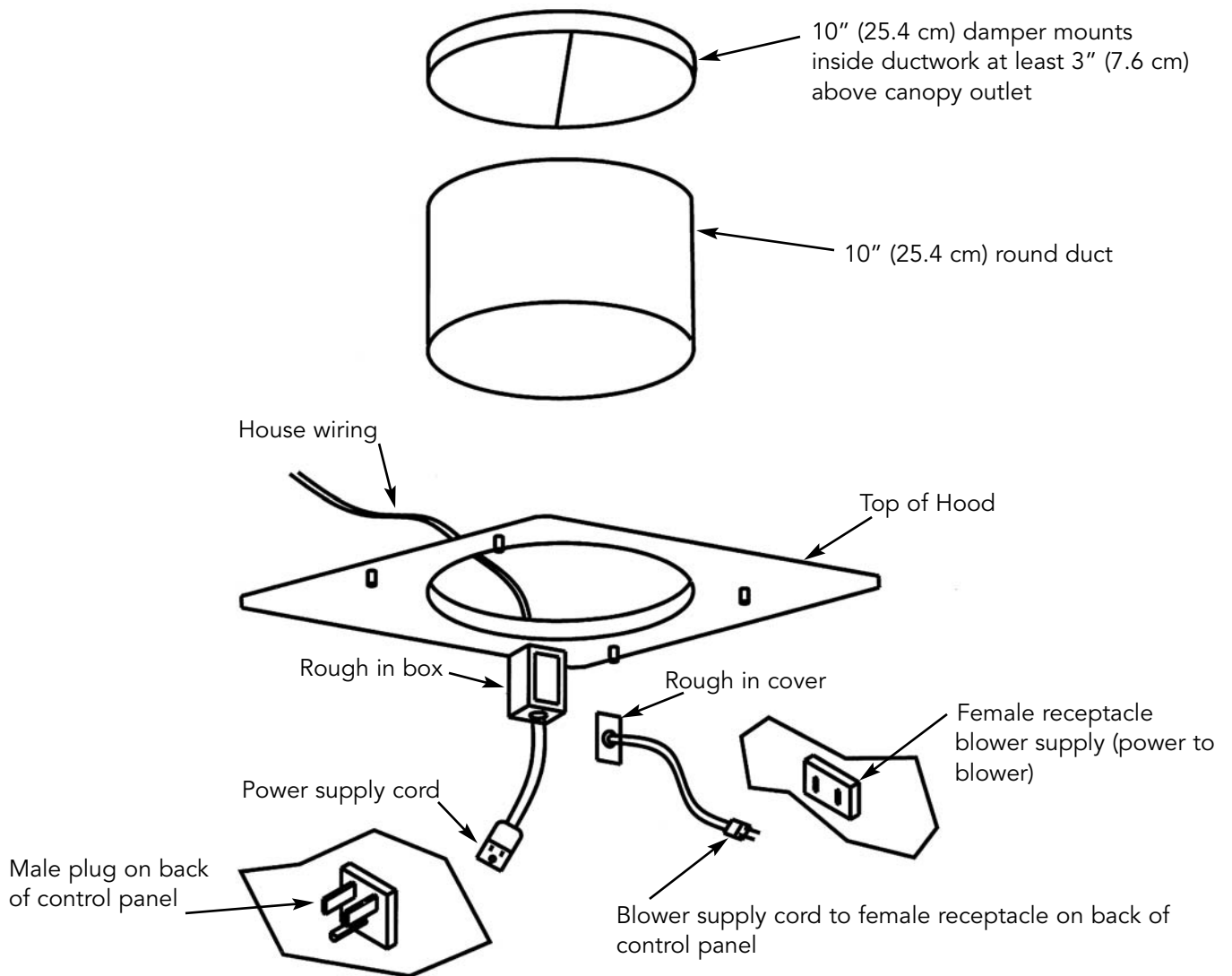
1. Run 10" (25.4 cm) round steel ductwork from external blower to the installation location. For best performance, use the straightest possible duct run and the fewest number of elbows. Tape all joints.
2. Run 120 VAC electrical power cable from service panel and remote blower to installation location.
3. Remove wiring box cover. Feed 6" (15.2 cm) of power cable (from service and remote blower) through the openings. See illustration below.
4. Wire black to black, white to white, and green or bare (ground) to green ground screw (provided). Replace wiring box cover. Make sure to connect remote wires to 2-prong male cord and service to 3-prong female cord.
5. Connect duct work to top of hood (no tranistion required). Tape all joints.

## Ventilator Kit Contents

Supply Cord with strain relief and rough in cover

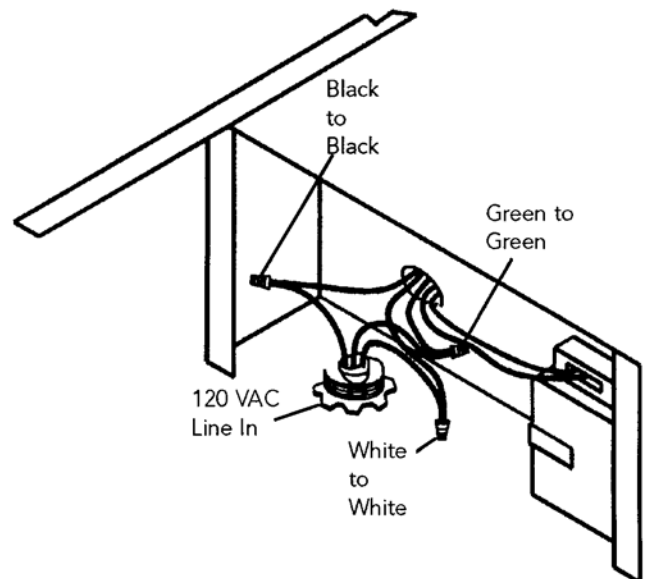
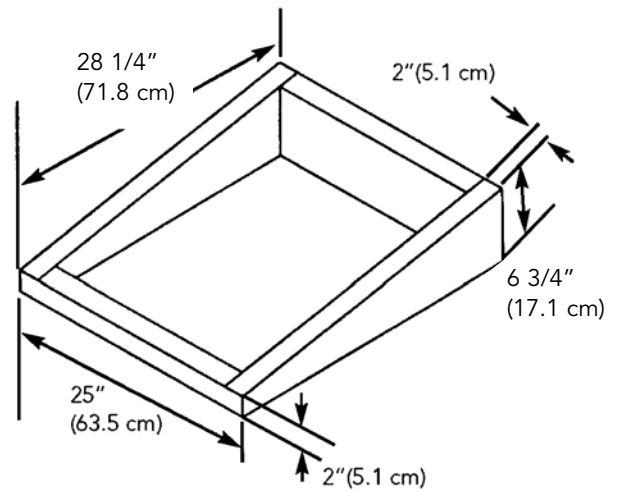
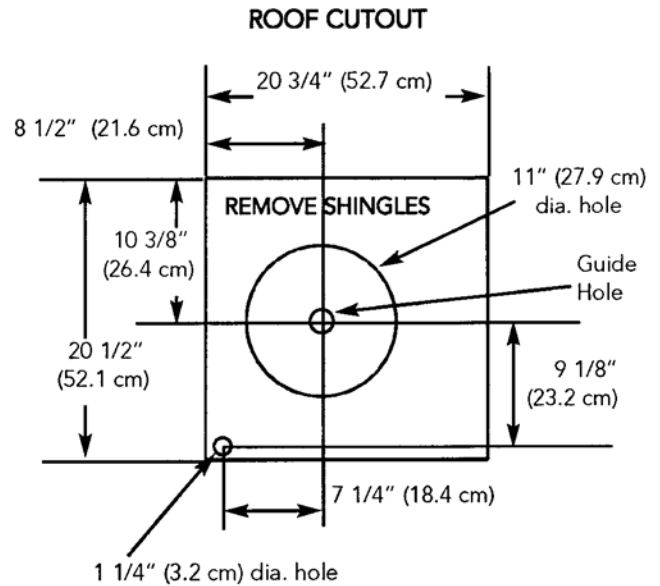
(1) #10 x 1/2 S.M.S

Green grounding screw



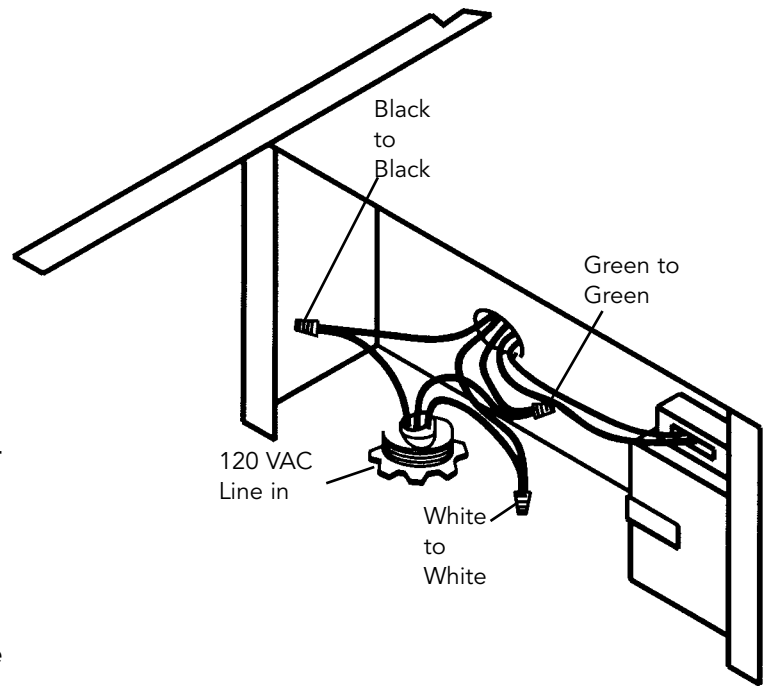
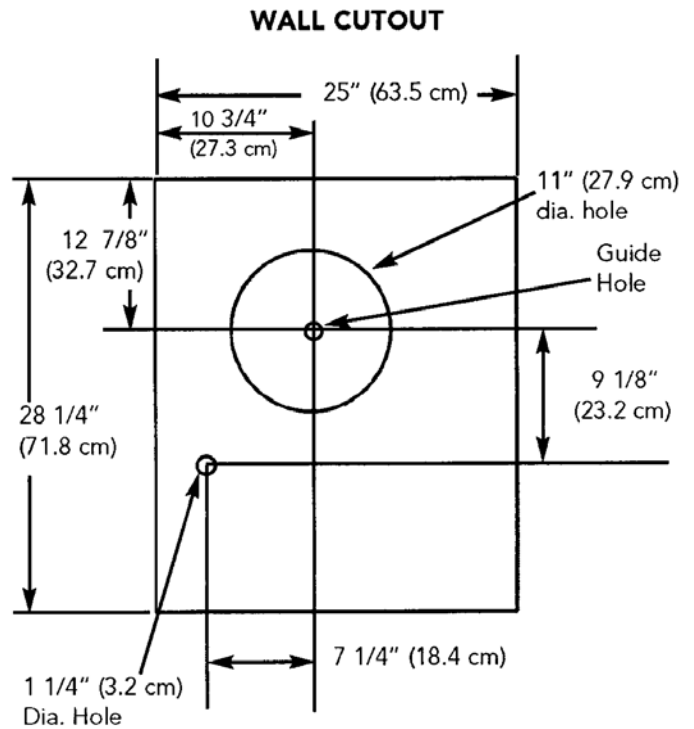
**ROOF INSTALLATION**  
**EXTERIOR-POWER VENTILATOR**  
**DEV900-EXTERIOR POWER VENTILATOR KIT**  
**(900 CFM)**

1. Locate the blower on the rear slope of the roof. Place it in a location to minimize duct run. The location should be free of obstacles (TV leads, electrical lines, etc.). Bear in mind, if the blower top is level with the roof peak, it will not be seen from the street. Keep this approximate location in mind as you work from within the attic.
2. Mark a point halfway between rafters.
3. Drill a guide hole through the roof at this point.
4. From the outside, use the guide hole as a starting point.
  - A. Use a T-square to measure 8 1/2" (21.6 cm) to the left of the guide hole, then down 10 3/8" (26.4 cm) to locate the bottom left corner of the layout.
  - B. Mark the rectangular cutout and remove only the shingles in this area.
5. Mark an 11" (27.9 cm) diameter circle centered on the guide hole and mark the center of the 1 1/4" (3.2 cm) diameter electrical wiring hole.
6. Cut out the roof board(s) along the 11" (27.9 cm) diameter circle and drill a 1 1/4" hole as marked.
7. For flat roof installation, build a curb that will mount the blower at a minimum pitch of 2/12. Discard end of the blower should be pointed away from prevailing winds.
8. Remove roofing nails from the upper two-thirds of the shingles around the cutout area. Carefully lift the shingles to allow the back flashing sheet on the blower housing to fit under them.
9. Center the blower ring in the 11" (27.9 cm) diameter hole, making sure that the 1 1/4" (3.2 cm) diameter electrical wiring hold aligns with the hole in the wiring box.
10. Attach the blower to the roof with the six screws provided. It is recommended that the screws be located inside the blower housing. All six holes in the back panel must be filled, or any moisture that may get inside the housing could leak into the house.
11. Using a good grade of roofing cement, seal all of the shingles around the housing and flashing sheet as well as the mounting screw heads.
12. Bring electrical wiring through the hole in the wiring box and secure it according to local codes.
13. Make the electrical connections with the proper connector for the type of wiring being used. Connect white to white, black to black, and green or bare wire to green.
14. Replace wiring box cover and screws. Do not pinch wiring under the cover.
15. Check for free movement of the damper before installing housing cover and screws.
16. Turn on power and check operation of the blower.



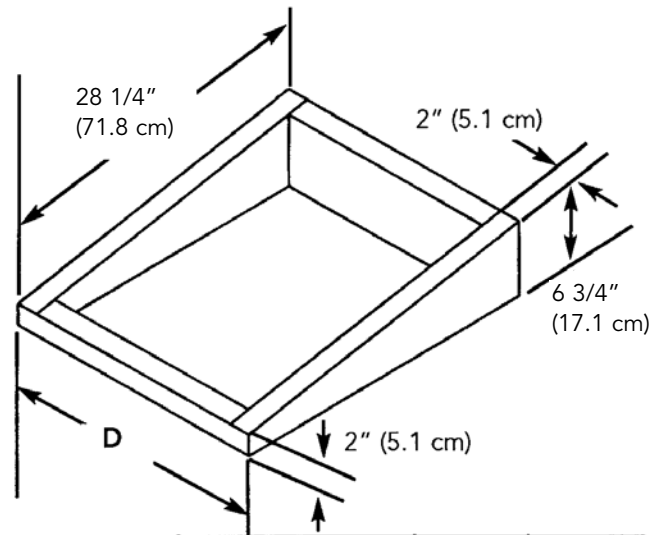
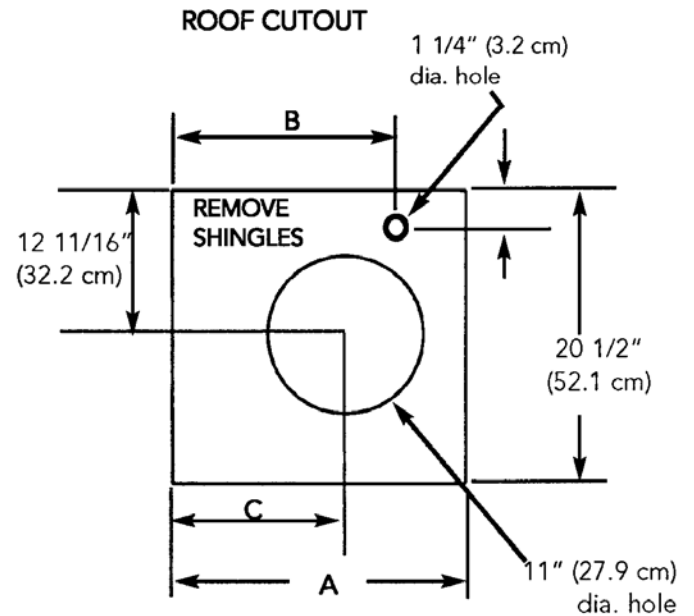
**WALL INSTALLATION**  
**EXTERIOR-POWER VENTILATOR**  
**DEV900-EXTERIOR POWER VENTILATOR KIT**  
**(900 CFM)**

1. Choose a position on the outside wall. Min. 24" (61.0cm) from ground may vary depending on local codes or location. Make sure no wall studs, pipes or wires run through the opening area
2. Drill a guide hole at the center of the opening area.
3. From the outside, use the guide hole as a starting point.
  - A. Use a T-square to measure 10 3/4" (27.3 cm) to the left of the guide hole, then down 12 7/8" (32.7cm) to locate the top left corner of the layout.
  - B. Starting from the top left corner, mark a 25" (63.5 cm) by 28 1/2" (72.4 cm) rectangle on the wall located from guide hole.
4. Cut a rectangular hole in the siding only. Do not cut the sheathing. Nail down all siding edges.
5. Mark an 11" (27.9 cm) diameter circle centered on the guide hole and mark the center of the 1 1/4" (3.2 cm) diameter electrical wiring hole.
6. Cut the 11" (27.9 cm) hole in the sheathing and drill the 1 1/4" (3.2 cm) as marked.
7. Place a large bead of caulk on the back side of the housing along the outer edge
8. Center the blower ring in the 11" (27.9 cm) diameter hole, making sure that the 1 1/4" (3.2 cm) diameter electrical wiring hold aligns with the hole in the wiring box.
9. Attach the blower to the roof with the six screws provided. It is recommended that the screws be located inside the blower housing. All six holes in the back panel must be filled, or any moisture that may get inside the housing could leak into the house.
10. Using a good grade of roofing cement, seal all the mounting screws.
11. Bring electrical wiring through the hole in the wiring box and secure it according to local codes.
12. Make the electrical connections with the proper connector for the type of wiring being used. Connect white to white, black to black, and green or bare wire to green.
13. Replace wiring box cover and screws. Do not pinch wiring under the cover.
14. Check for free movement of the damper before installing housing cover and screws.
15. Turn on power and check operation of the blower.
16. Top and side flanges of the back plate may be covered with trim strips. Do not block grill opening at bottom with trim. It will adversely affect performance of the blower.

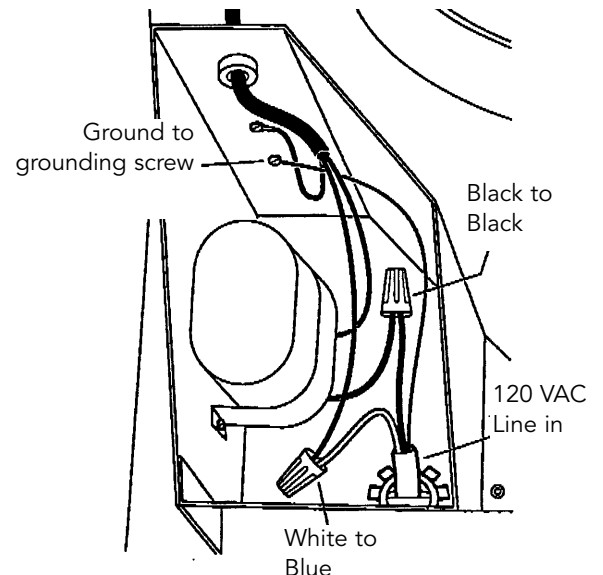


**ROOF INSTALLATION**  
**EXTERIOR-POWER VENTILATOR**  
**DEV900-EXTERIOR POWER VENTILATOR KIT**  
**(900 CFM)**

1. Locate the blower on the rear slope of the roof. Place it in a location to minimize duct run. The location should be free of obstacles (TV leads, electrical lines, etc.). Bear in mind, if the blower top is level with the roof peak, it will not be seen from the street. Keep this approximate location in mind as you work from within the attic.
2. Mark a point halfway between rafters.
3. Drill a guide hole through the roof at this point.
4. From the outside, use the guide hole as a starting point.
  - A. Use a T-square to measure 9 13/16" (24.9 cm) to the left of the guide hole, then down 12 11/16" (32.2 cm) to locate the top left corner of the layout.
  - B. Starting from the top left corner, mark the rectangular cutout and remove only the shingles in this area.
5. Mark an 11" (27.9 cm) diameter circle centered on the guide hole and mark the center of the 1 1/4" (3.2 cm) diameter electrical wiring hole.
6. Cut out the roof board(s) along the 11" (27.9 cm) diameter circle and drill a 1 1/4" hole as marked.
7. For flat roof installation, build a curb that will mount the blower at a minimum pitch of 2/12. Discard end of the blower should be pointed away from prevailing winds.
8. Remove roofing nails from the upper two-thirds of the shingles around the cutout area. Carefully lift the shingles to allow the back flashing sheet on the blower housing to fit under them.
9. Center the blower ring in the 11" (27.9 cm) diameter hole, making sure that the 1 1/4" (3.2 cm) diameter electrical wiring hold aligns with the hole in the wiring box.
10. Attach the blower to the roof with the six screws provided. It is recommended that the screws be located inside the blower housing. All six holes in the back panel must be filled, or any moisture that may get inside the housing could leak into the house.
11. Using a good grade of roofing cement, seal all of the shingles around the housing and flashing sheet as well as the mounting screw heads.
12. Bring electrical wiring through the hole in the wiring box and secure it according to local codes.
13. Make the electrical connections with the proper connector for the type of wiring being used. Connect white to white, black to black, and green or bare wire to green.
14. Replace wiring box cover and screws. Do not pinch wiring under the cover.
15. Check for free movement of the damper before installing housing cover and screws.
16. Turn on power and check operation of the blower.



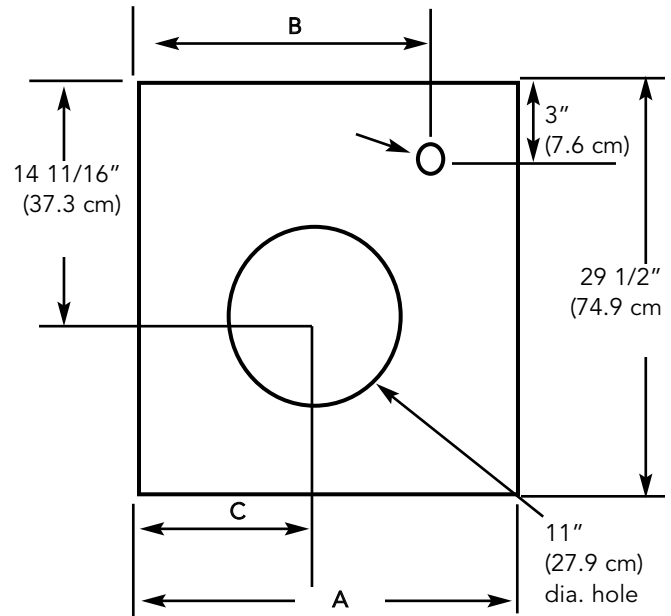
	A	B	C	D
DEV1200	18" (45.7 cm)	15" (38.1 cm)	9 13/16" (24.9 cm)	22" (55.9 cm)
DEV1500	21" (53.3 cm)	18" (45.7 cm)	12 5/8" (32.1 cm)	25" (63.5 cm)



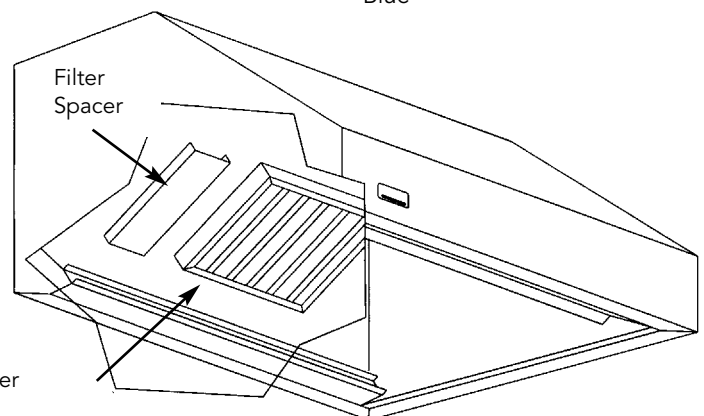
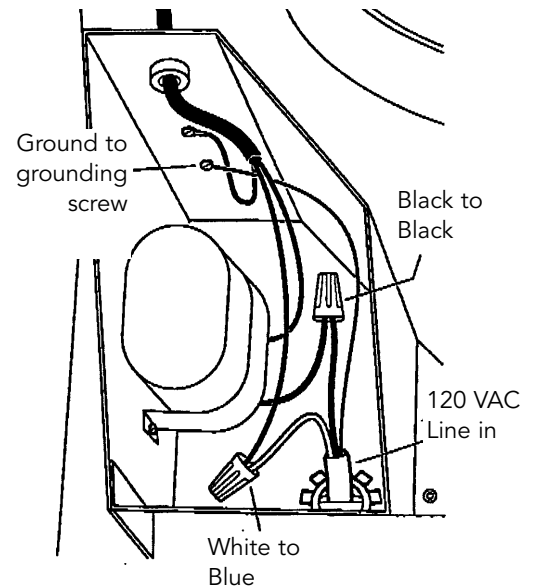
## WALL INSTALLATION EXTERIOR-POWER VENTILATOR EXTERIOR POWER VENTILATOR KIT

1. Choose a position on the outside wall. Min. 24" (61.0cm) from ground may vary depending on local codes or location. Make sure no wall studs, pipes or wires run through the opening area
2. Drill a guide hole at the center of the opening area.
3. From the outside, use the guide hole as a starting point.
  - A. Use a T-square to measure 11 13/16" (30.0 cm) to the **left** of the guide hole, then **down** 14 11/16" (37.3cm) to locate the top left corner of the layout.
  - B. Starting from the top left corner, mark a 22" (55.9 cm) by 29 1/2" (74.9 cm) rectangle on the wall located from guide hole.
4. Cut a rectangular hole in the siding only. Do not cut the sheathing. Nail down all siding edges.
5. Mark an 11" (27.9 cm) diameter circle centered on the guide hole and mark the center of the 1 1/4" (3.2 cm) diameter electrical wiring hole.
6. Cut the 11" (27.9 cm) hole in the sheathing and drill the 1 1/4" (3.2 cm) as marked.
7. Place a large bead of caulk on the back side of the housing along the outer edge
8. Center the blower ring in the 11" (27.9 cm) diameter hole, making sure that the 1 1/4" (3.2 cm) diameter electrical wiring hold aligns with the hole in the wiring box.
9. Attach the blower to the roof with the six screws provided. It is recommended that the screws be located inside the blower housing. All six holes in the back panel must be filled, or any moisture that may get inside the housing could leak into the house.
10. Using a good grade of roofing cement, seal all the mounting screws.
11. Bring electrical wiring through the hole in the wiring box and secure it according to local codes.
12. Make the electrical connections with the proper connector for the type of wiring being used. Connect white to white, black to black, and green or bare wire to green.
13. Replace wiring box cover and screws. Do not pinch wiring under the cover.
14. Check for free movement of the damper before installing housing cover and screws.
15. Turn on power and check operation of the blower.
16. Top and side flanges of the back plate may be covered with trim strips. Do not block grill opening at bottom with trim. It will adversely affect performance of the blower.

### WALL CUTOUTT



	A	B	C
DEV1200	22" (55.9 cm)	17" (43.2 cm)	11 13/16" (30.0 cm)
DEV1500	25" (63.5 cm)	20" (50.8 cm)	14 5/8" (37.2 cm)



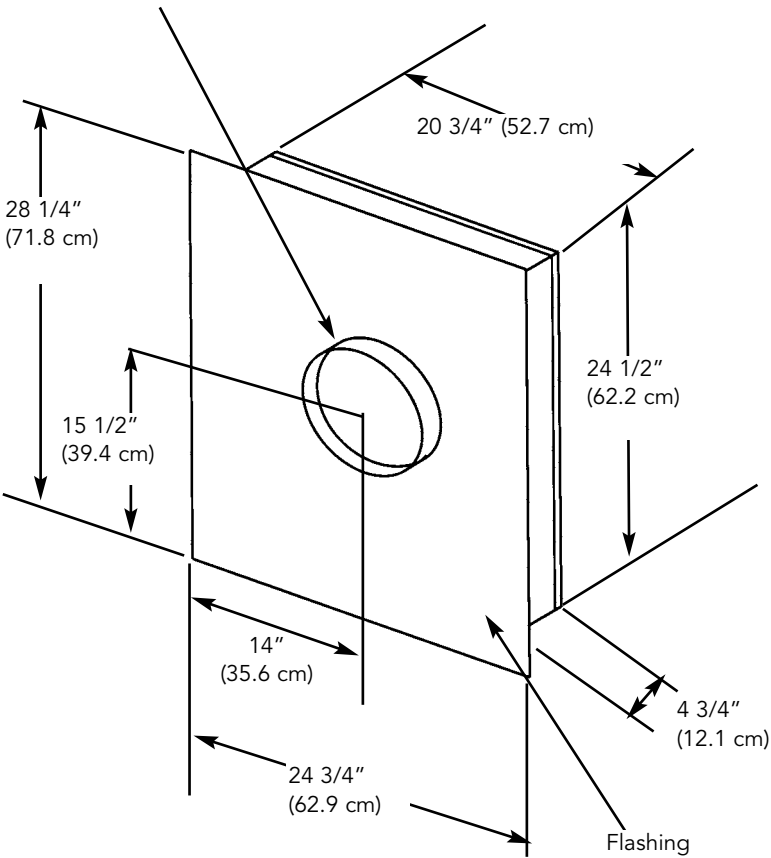
## FILTER/SPACER INSTALLATION

1. Install spacer/s in center or outside of filters.
2. Number of spacers and baffle filters will vary by model.

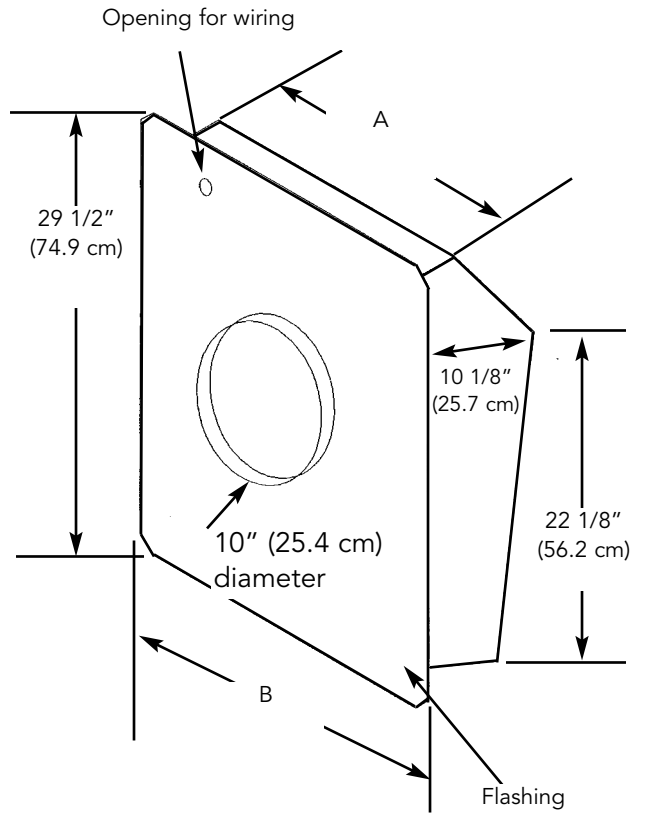
# EXTERIOR VENTILATOR DIMENSIONS

## DEV900

10" (25.4 cm) diameter

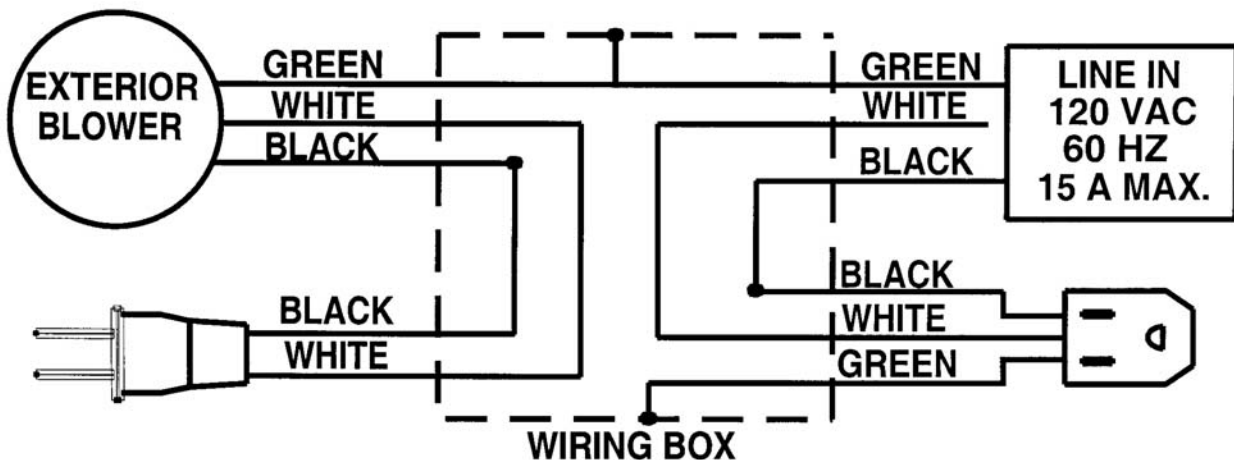


## DEV1200 DEV1500

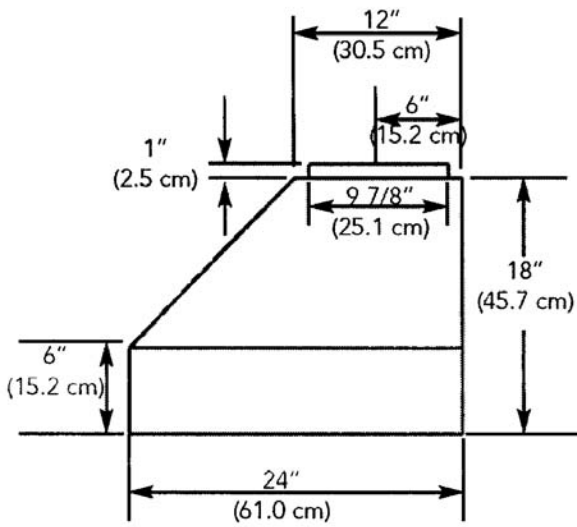


	A	B
DEV1200	18" (45.7 cm)	22" (55.9 cm)
DEV1500	21" (53.3 cm)	25" (63.5 cm)

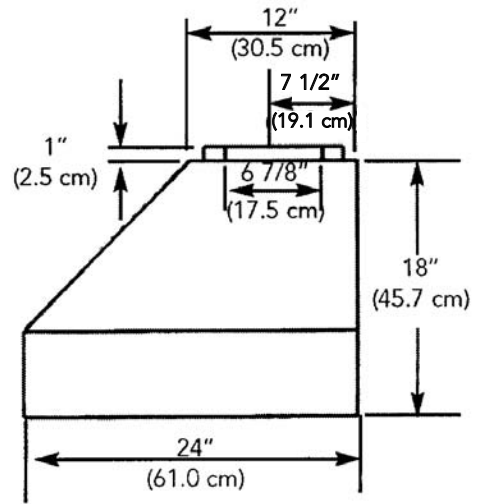
## WIRING DIAGRAM EXTERIOR VENTILATOR



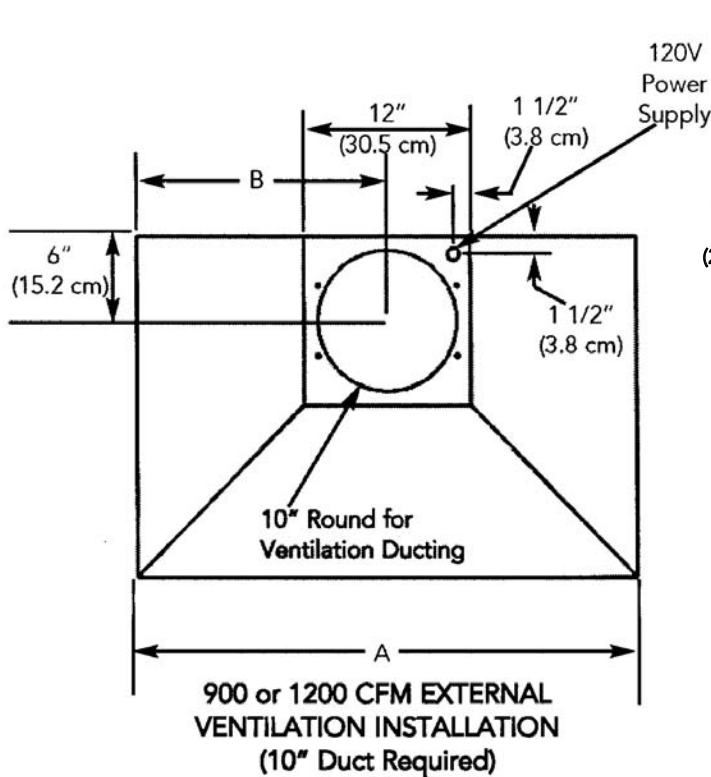
**WALL HOOD DIMENSIONS**  
**30"/36"/42" W. PROFESSIONAL CHIMNEY HOODS**



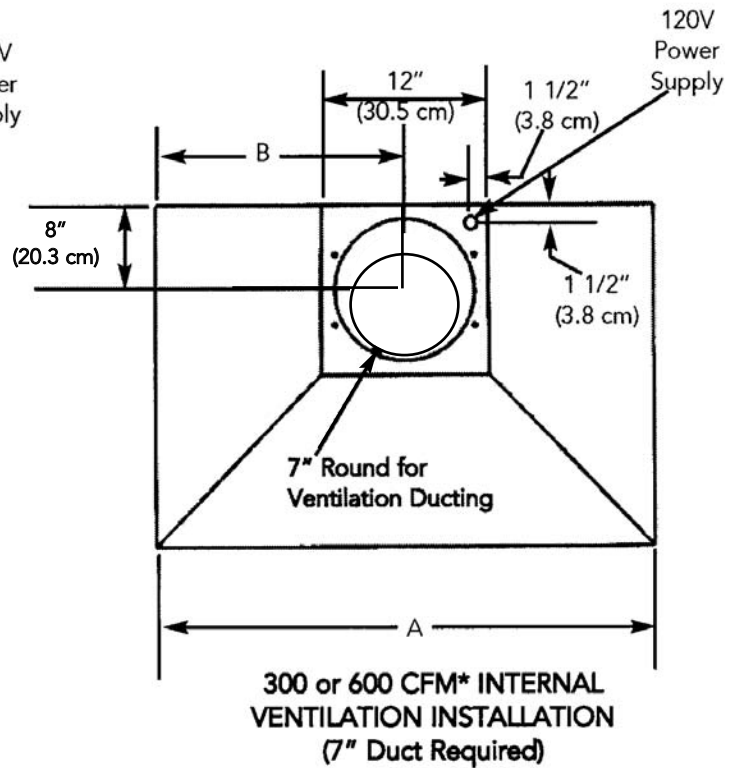
**900 or 1200 CFM EXTERNAL VENTILATION INSTALLATION**



**300 or 600 CFM\* INTERNAL VENTILATION INSTALLATION**



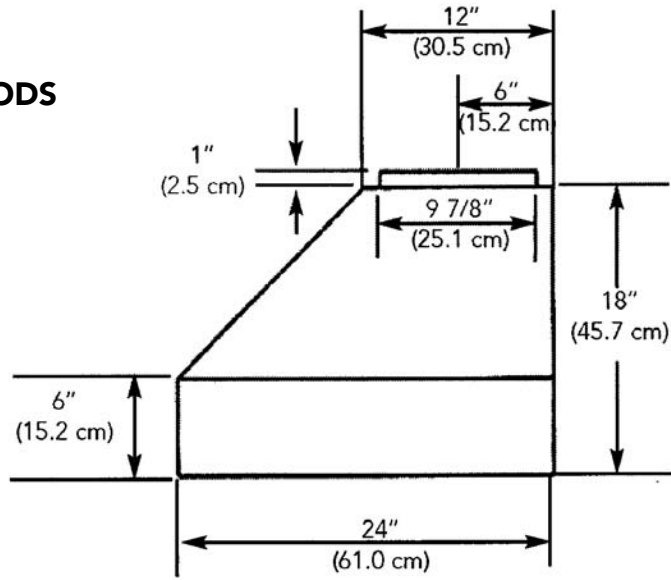
**900 or 1200 CFM EXTERNAL VENTILATION INSTALLATION (10" Duct Required)**



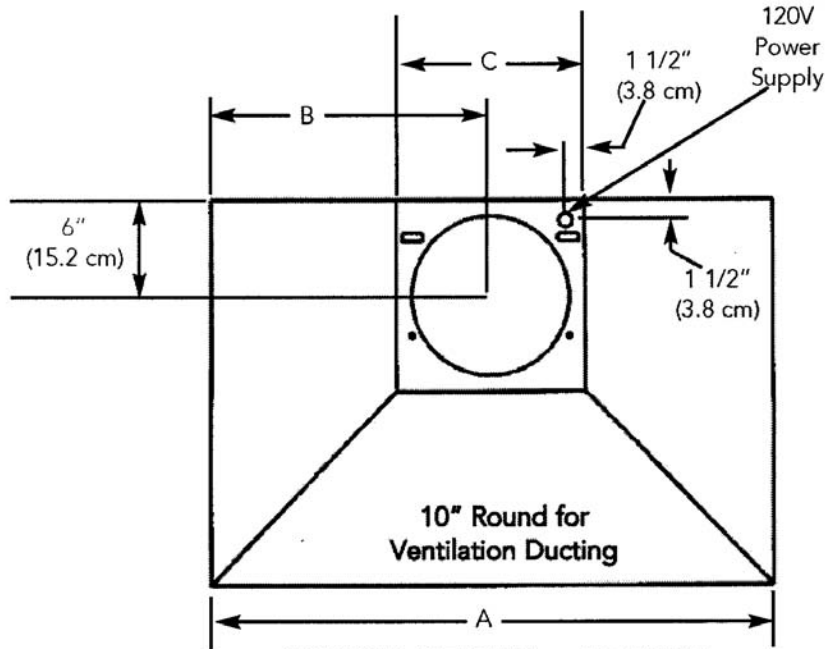
**300 or 600 CFM\* INTERNAL VENTILATION INSTALLATION (7" Duct Required)**

	A	B
30" W.	29 7/8" (75.9 cm)	14 15/16" (37.9 cm)
36" W.	35 7/8" (91.3 cm)	17 15/16" (45.6 cm)
42" W.	41 7/8" (106.4 cm)	20 15/16" (53.2 cm)

**WALL HOOD DIMENSIONS**  
**48"/54"/60"/66" W.**  
**PROFESSIONAL CHIMNEY HOODS**



**1200 CFM INTERNAL or EXTERNAL**  
**1500 CFM EXTERNAL**  
**VENTILATION INSTALLATION**

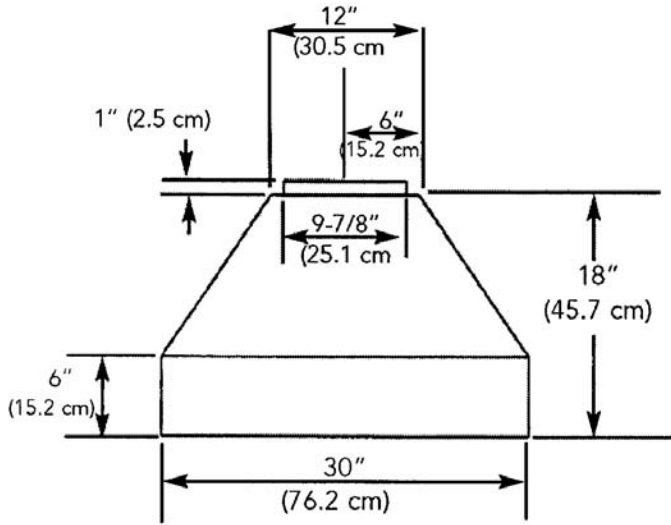


**1200 CFM INTERNAL or EXTERNAL**  
**1500 CFM EXTERNAL**  
**VENTILATION INSTALLATION**  
**(10" Duct Required)**

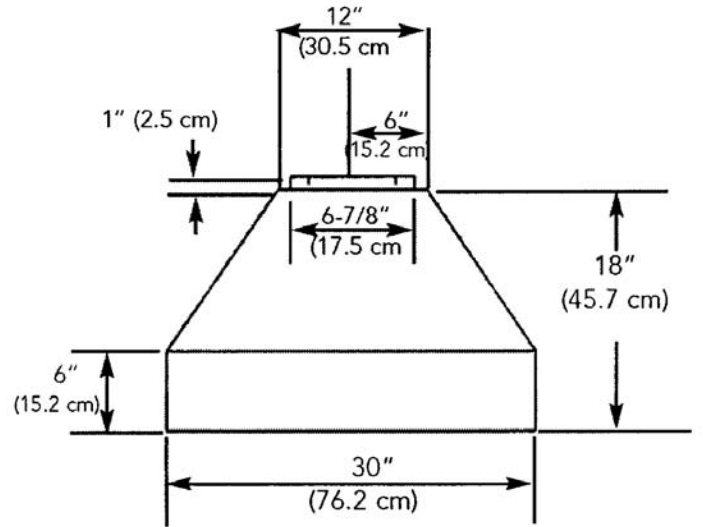
	A	B	C
48" W.	47 7/8" (121.6 cm)	23 15/16" (60.8 cm)	18" (45.7 cm)
54" W.	53 7/8" (136.8 cm)	26 15/16" (68.4 cm)	18" (45.7 cm)
60" W.	59 7/8" (152.1 cm)	29 15/16" (76.0 cm)	24" (61.0 cm)
66" W.	65 7/8" (167.3 cm)	32 15/16" (83.7 cm)	24" (61.0 cm)



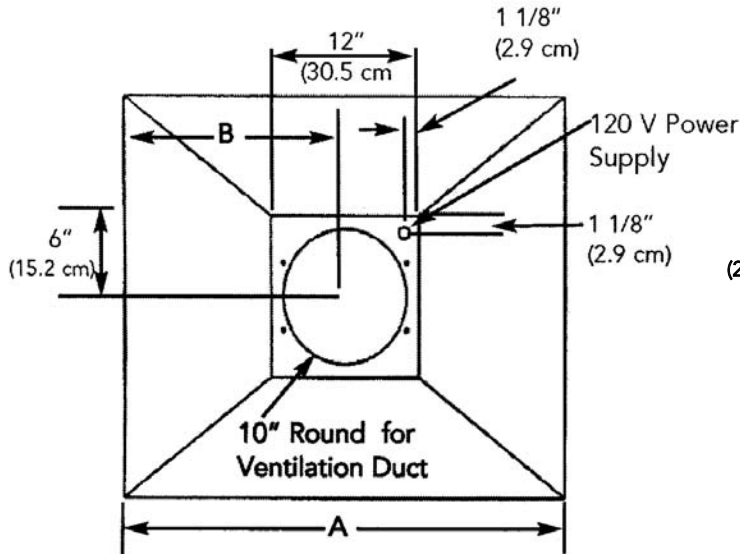
**ISLAND HOOD DIMENSIONS**  
**36"/42" W. PROFESSIONAL CHIMNEY HOODS**



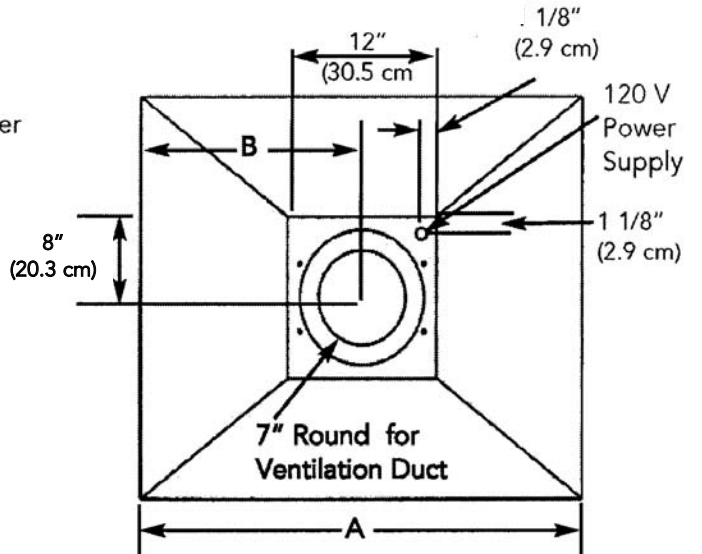
**900 CFM External Ventilation Installation**



**600 CFM Internal Ventilation Installation**



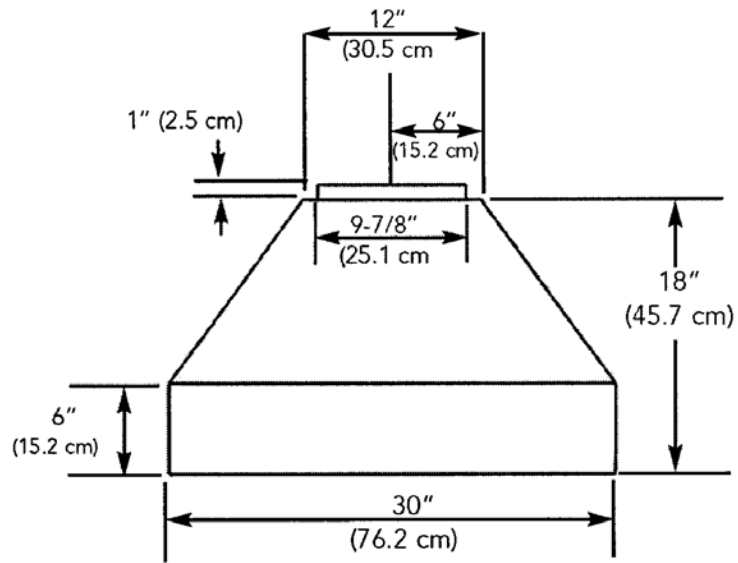
**900 CFM External Ventilation Installation (10" Duct Required)**



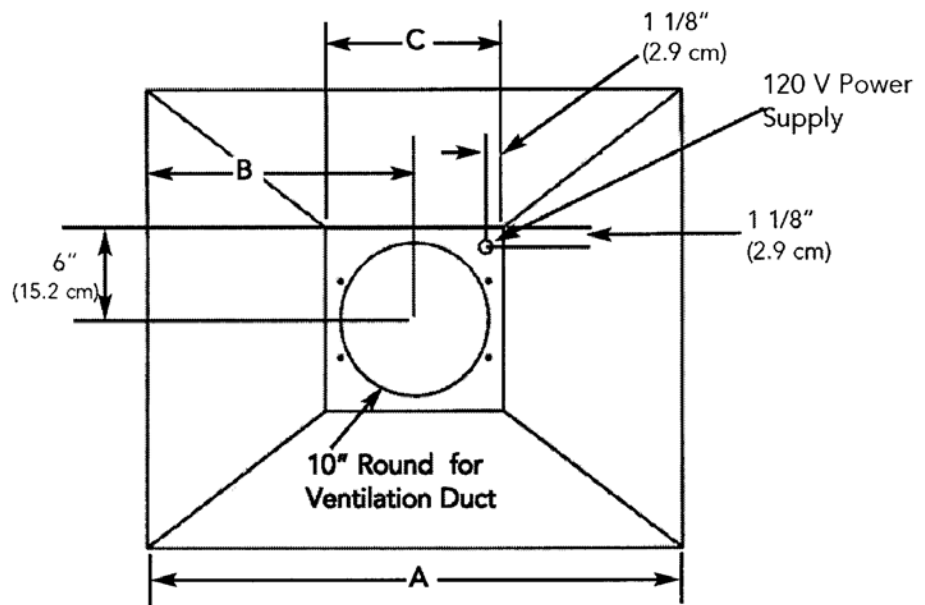
**600 CFM Internal Ventilation Installation (7" Duct Required)**

	A	B
36" W.	35 7/8" (91.3 cm)	17 15/16" (45.6 cm)
42" W.	41 7/8" (106.4 cm)	20 15/16" (53.2 cm)

**ISLAND HOOD DIMENSIONS**  
**54"/66" W.**  
**PROFESSIONAL CHIMNEY HOODS**



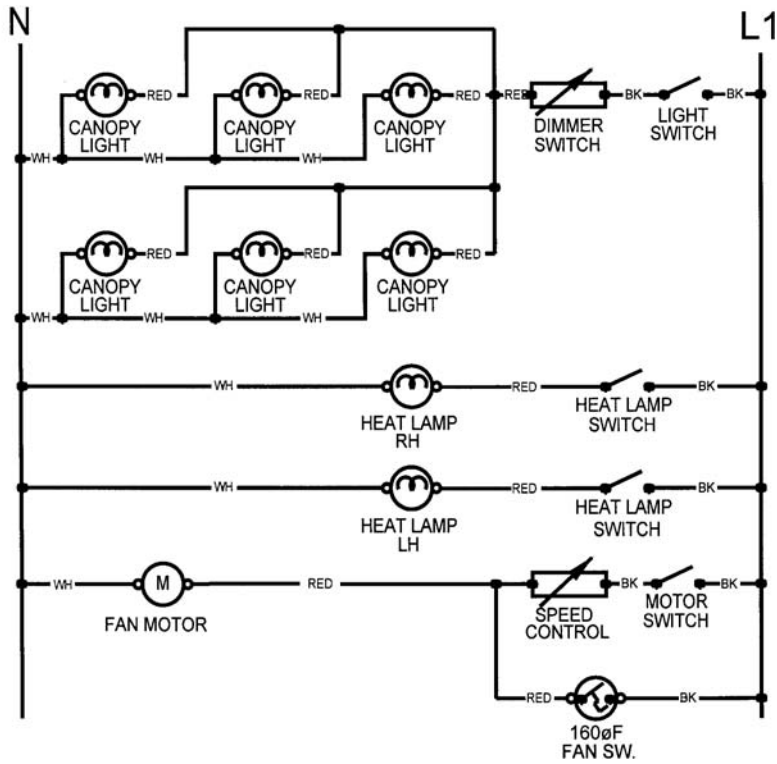
**1200 CFM Internal or 1200/1500 CFM External  
 Ventilation Installation  
 (10" Duct Required)**



**1200 CFM Internal or 1200/1500 CFM External  
 Ventilation Installation  
 (10" Duct Required)**

	A	B	C
54" W	53 7/8" (136.8 cm)	26 15/16" (68.4 cm)	18" (45.7 cm)
66" W	65 7/8" (167.3 cm)	32 15/16" (83.7 cm)	24" (61.0 cm)

### WIRING DIAGRAM BUILT-IN HOODS



REFER ONLY TO FEATURES  
EQUIPPED WITH THIS UNIT

VIKING  
111 Front Street • Greenwood, Mississippi 38930 USA • (662) 455-1200

Specifications subject to change without notice