



Standard Features & Accessories

All models include

- Total capacity—20.3 cu. ft. (574.5 L)
 - Refrigerator - 15.2 cu. ft.
 - Freezer - 5.1 cu. ft.
 - 84"H./24"D.
- ProChill™ Temperature Management System
 - Variable-speed DC Overdrive™ Compressor is one of the quietest, most technologically advanced compressors available
 - Electronic controls maintain the temperature selection within 1°F
 - Multi-channel airflow system and Odor Eliminator™ Evaporator removes odors and excess humidity
- Exclusive Plasmacluster™* Ion Air Purifier
 - Eliminates airborne bacteria and mold spores
 - Removes odors
 - Enhances food preservation
 - Never needs replacing
- Refrigerator Compartment
 - Five adjustable tempered glass spill-proof shelves
 - Adjustable Cold Zone™ drawer with precision ball-bearing glides
 - Separate temperature control can be set for produce or fresh meat storage
 - Quick chill option chills foods and beverages in minutes
 - Adjustable Humidity Zone™ drawers with precision ball-bearing glides
 - Humidity can be set high for leafy greens or low for fruits and vegetables with skins
 - Two conveniently located deli drawers with full-extension precision ball-bearing glides
 - Two in-the-door sealed dairy compartments with covers
 - Four patented adjustable aluminum door bins with tempered glass fronts
 - Top-shelf provides quick chill-down area
 - Full extension freezer drawer on precision ball-bearing glides
- Positive self-closing feature ensures a good seal
 - Adaptive defrost
 - Two slide-out wire baskets
- Super Clog-Resistant™ Condenser is maintenance-free under normal use
- Tru-Flush™ design
 - Allows Professional Integrated and Custom Panel models to fit flush into 24" deep installation cutout
- Open door alarm sounds and glows to warn that door has been ajar for three minutes
- Adjustable door stops standard—90°, 110°, or 120° swing
- Sabbath Mode
- Must be ordered right or left hinge. (As you face unit, RIGHT has hinge on right side and handle on left side; LEFT has hinge on left side and handle on right side.)

*Plasmacluster is a registered trademark of Sharp Corporation.

Model Options



VCBB536/VIBB536
Professional/Professional Integrated



DFBB536
Custom Front

FINISH DETAILS FOR VCBB/VIBB MODELS

- Stainless Steel (SS), Black (BK), White (WH), Metallic Silver (MS), Graphite Gray (GG), Stone Gray (SG), Taupe (TP), Biscuit (BT), Cotton White (CW), Oyster Gray (OG), Golden Mist (GM), Lemonade (LE), Sage (SA), Mint Julep (MJ), Sea Glass (SE), Iridescent Blue (IB), Viking Blue (VB), Pumpkin (PM), Racing Red (RR), Apple Red (AR), Burgundy (BU), Plum (PL), Chocolate (CH), and Cobalt Blue (CB).
- Finish codes designate door fronts. Stainless steel upper grille, side trim, and handles (with chrome-plated brackets); black lower kickplate.
- Brass Trim Option (BR)—nameplate, handle/brackets, and side trim. Brass components have a durable protective coating for maintenance-free normal use.

FINISH DETAILS FOR DFBB MODEL

- Handles not included—opt for custom handles, or purchase a Viking Professional Series or Designer Series handle kit (see **Installation Notes & Accessories**).
- See **Custom Panels** section for more information and additional specifications.

ORDERING INSTRUCTIONS

First specify model number, followed by hinge preference ("R" for right or "L" for left), and then color code (VCBB536**RSS**). If ordering optional brass trim, specify code at end (VCBB536**RSSBR**).



REFRIGERATION

Quiet Cool™ Built-In 36" W. Bottom-Mount Refrigerator/Freezer



★ Please see Installation Notes & Accessories for important information, including panel, grille, and handle kits.

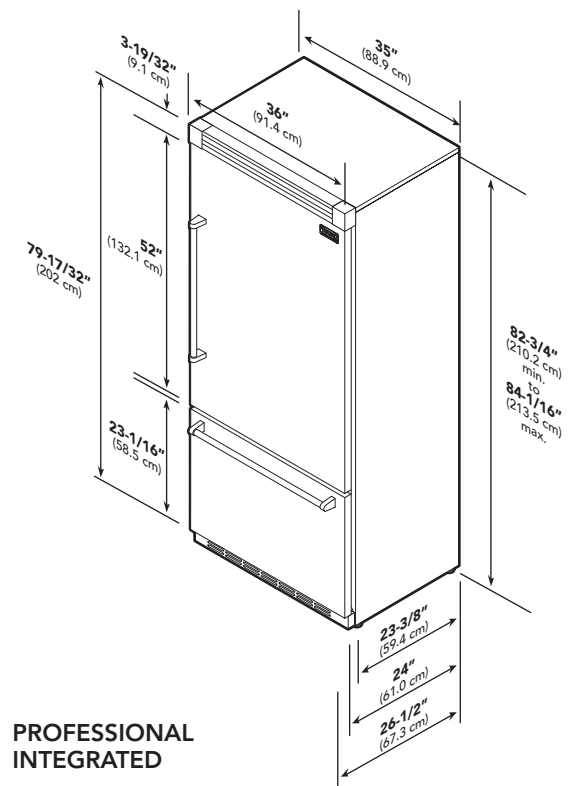
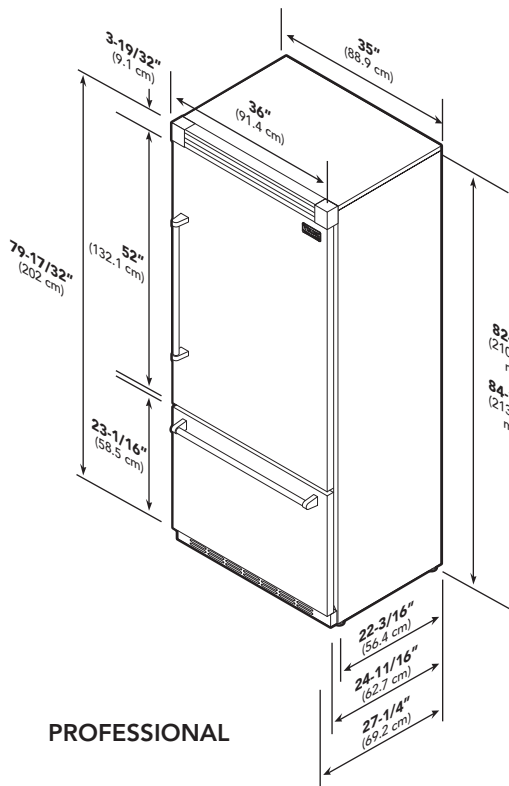
★ ALL MODELS
Star-K Kosher Certification for use on the Jewish Sabbath or Jewish holidays

Dimensions & Specifications

PRODUCT DIMENSIONS



VCBB536/VIBB536
Professional/Professional Integrated



| | VCBB536 | VIBB536 |
|------------------------------|---|-------------------|
| Overall width | 36" (91.4 cm) | |
| Overall height (from bottom) | 82-3/4" (210.2 cm) min. to 84-1/16" (213.5 cm) max. | |
| Overall depth (from rear) | | |
| To front edge of side trim | 22-3/16" (56.4 cm) | 23-3/8" (59.4 cm) |
| To front of top grille | 24-11/16" (62.7 cm) | 24" (61.0 cm) |
| To front of handle | 27-1/4" (69.2 cm) | 26-1/2" (67.3 cm) |
| Approx. ship weight | 565 lbs. (254.3 kg) | |





★ Please see **Installation Notes & Accessories** for important information, including panel, grille, and handle kits.

★ **ALL MODELS**
Star-K Kosher Certification for use on the Jewish Sabbath or Jewish holidays

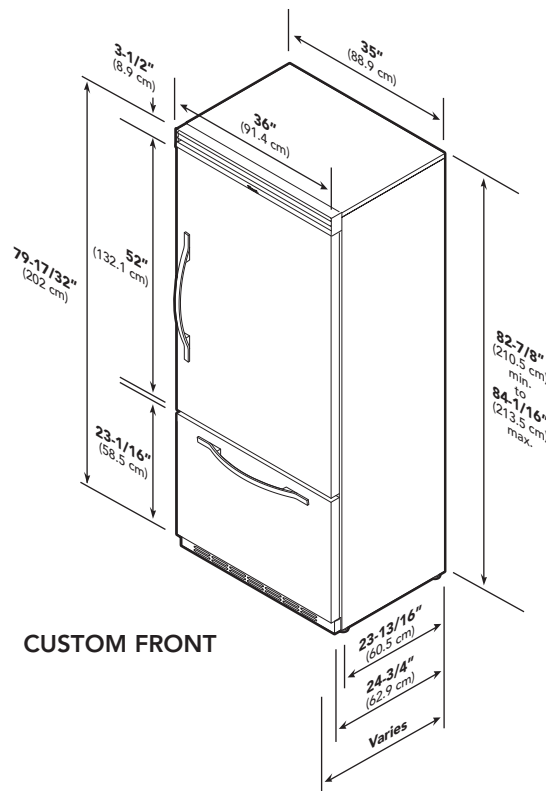
Dimensions & Specifications

PRODUCT DIMENSIONS



DFBB536
Custom Front

See **Custom Panels** section for more information and additional specifications.



| DFBB536 | |
|------------------------------|--|
| Overall width | 36" (91.4 cm) |
| Overall height (from bottom) | 82-7/8" (210.5 cm) min. to 84-1/16" (213.5 cm) max. |
| Overall depth (from rear) | |
| To front edge of side trim | 23-13/16" (60.5 cm) |
| To front of top grille | 24-3/4" (62.9 cm) |
| To front of handle | Varies |
| Approx. ship weight | 500 lbs. (227.3 kg) |



VIKING
DESIGNER

REFRIGERATION

Quiet Cool™ Built-In 36" W. Bottom-Mount Refrigerator/Freezer



Dimensions & Specifications

DOOR SWING

- Adjustable door stops standard—90°, 110°, or 120° swing

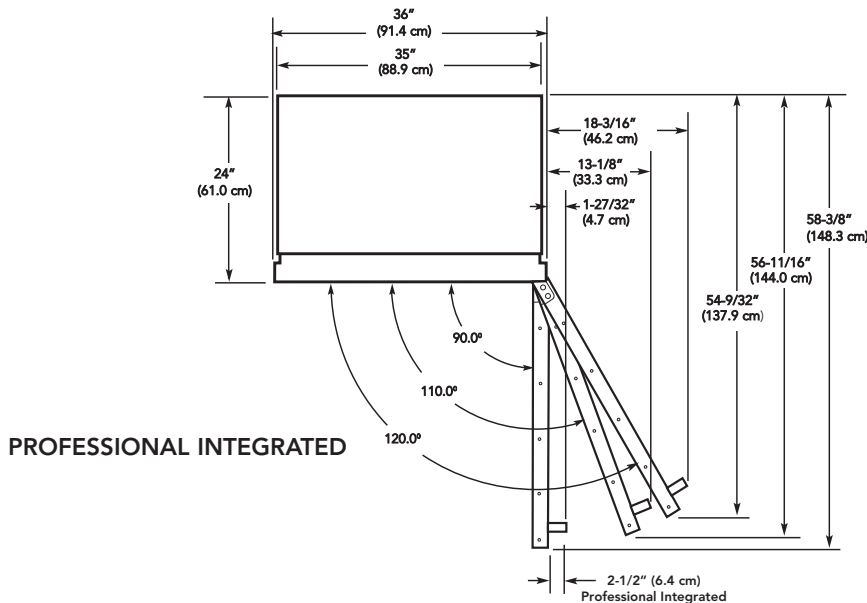
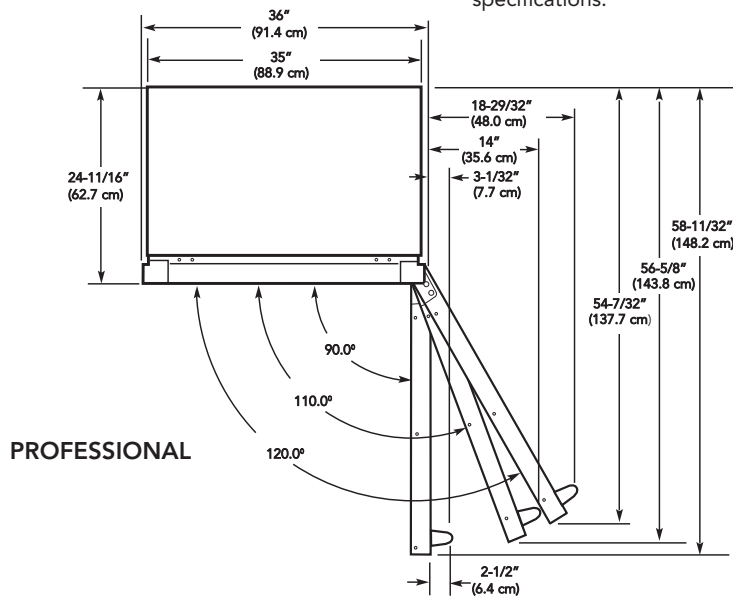


VCBB536/VIBB536
Professional/Professional
Integrated



DFBB536
Custom Front

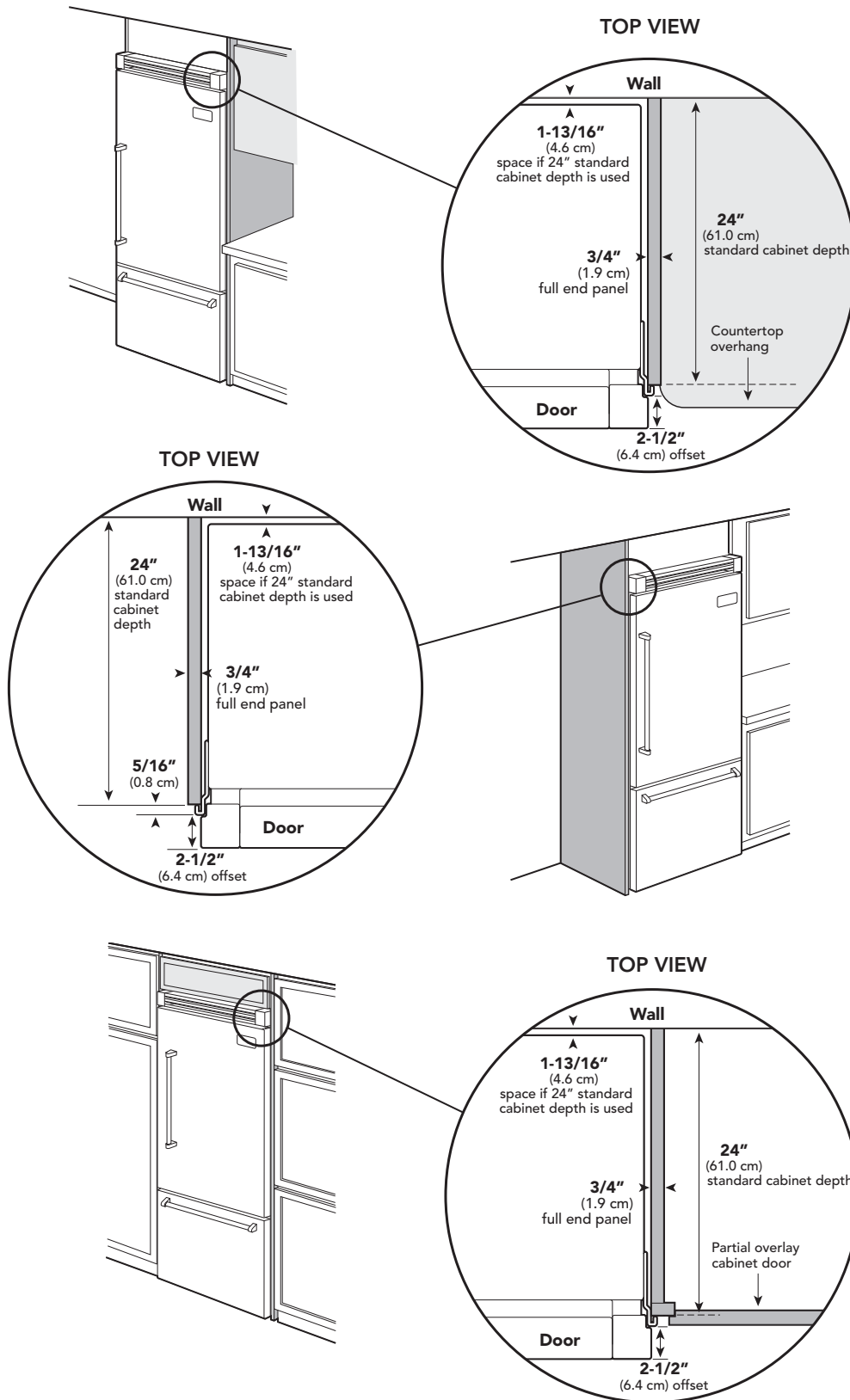
See **Custom Panels** section for more information and additional specifications.





Dimensions & Specifications

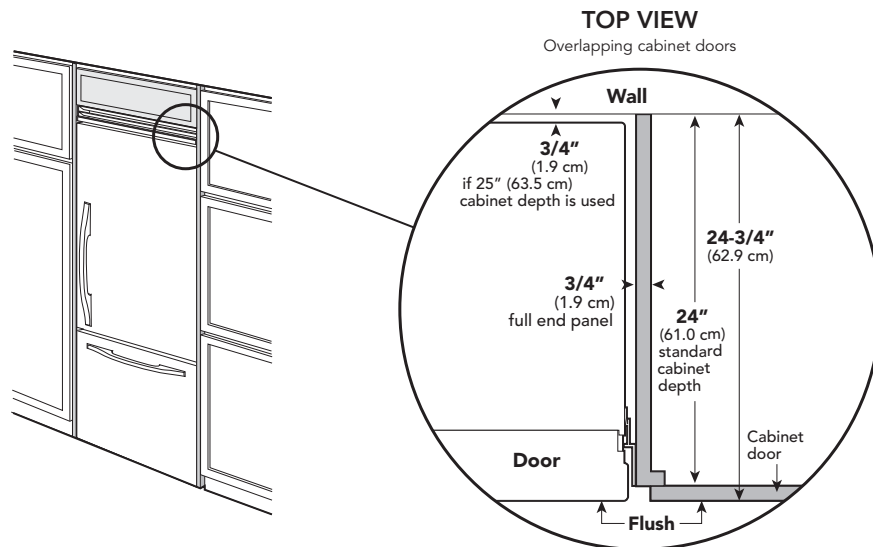
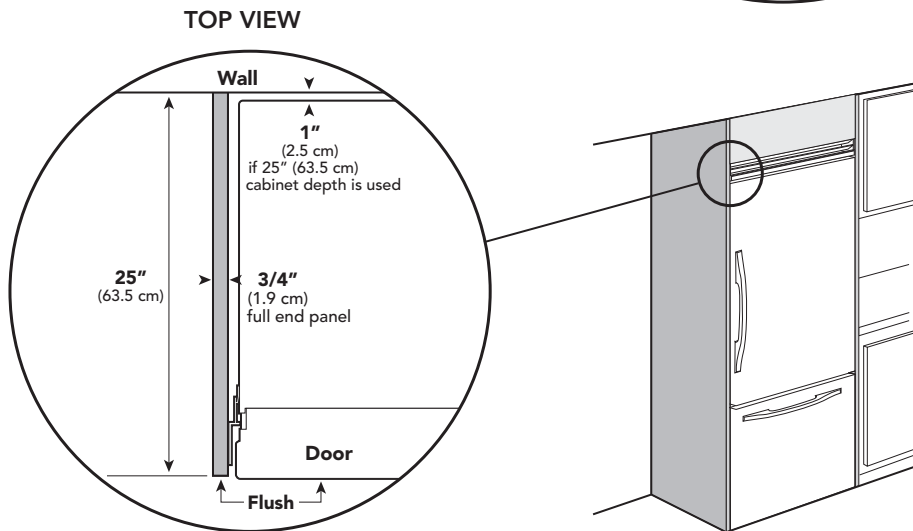
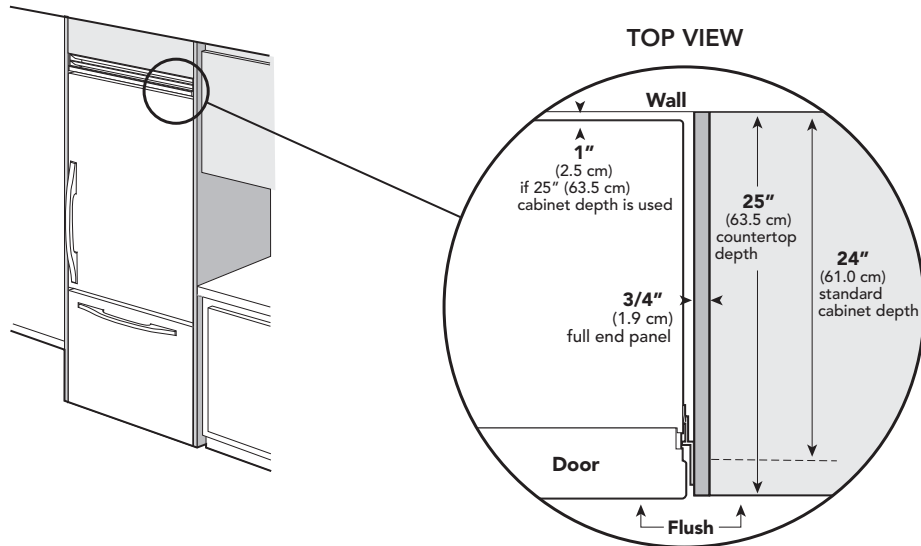
CLEARANCE DIMENSIONS—PROFESSIONAL





Dimensions & Specifications

CLEARANCE DIMENSIONS—PROFESSIONAL INTEGRATED





UTILITY REQUIREMENTS



GAS
Not applicable



- ELECTRICAL**
- Three-wire cord with grounded three-prong plug attached to product
 - 115 VAC/60 Hz; 15 amp dedicated circuit
 - Maximum amp usage—9.9
 - Estimated energy usage—567 kWh/year



- PLUMBING**
- Inlet waterline requirements—1/4" copper tubing
 - 20 psi min.; 120 psi max.

Installation Requirements

ACCESS REQUIREMENTS

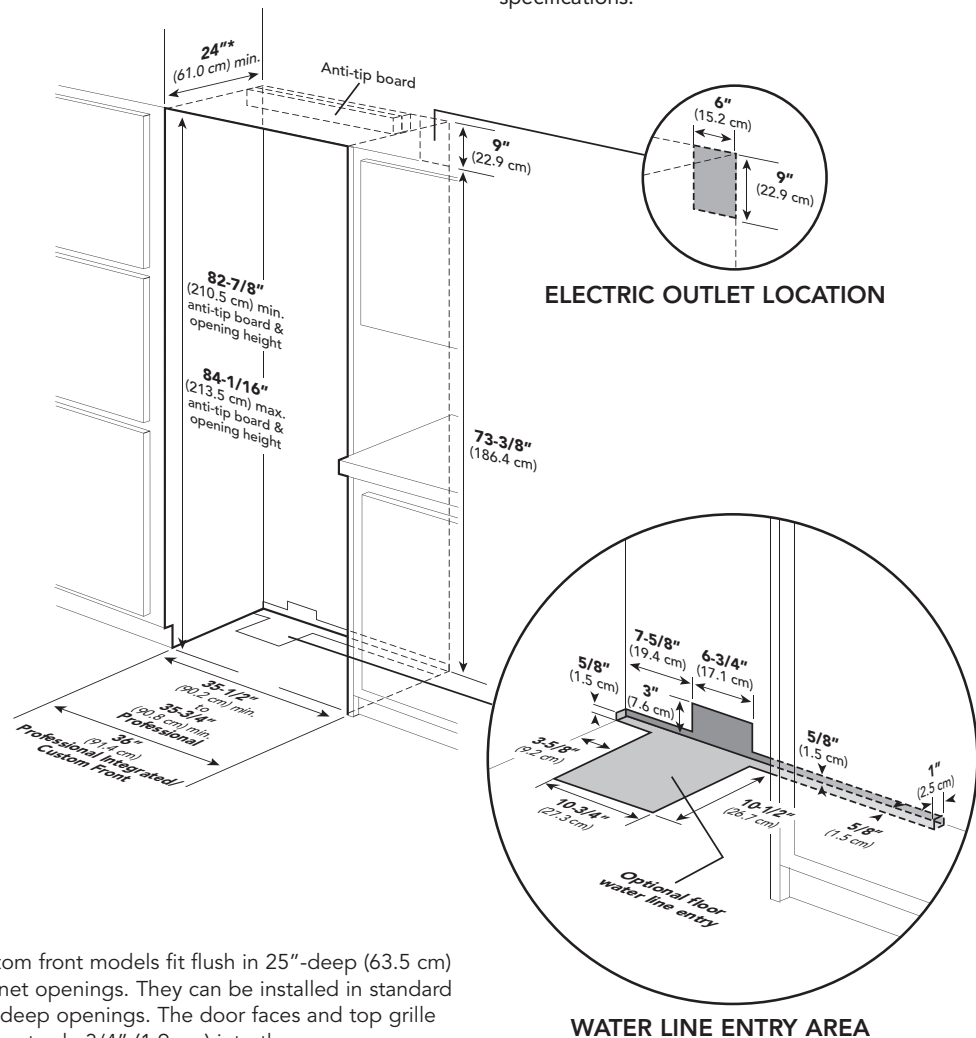


VCBB536/VIBB536
Professional/Professional Integrated



DFBB536
Custom Front

See **Custom Panels** section for more information and additional specifications.



*Custom front models fit flush in 25"-deep (63.5 cm) cabinet openings. They can be installed in standard 24"-deep openings. The door faces and top grille will protrude 3/4" (1.9 cm) into the room.

| | VCBB536 | VIBB536 | DFBB536 |
|---------------|--|----------------|----------------|
| Cutout width | 35-1/2" (90.2 cm) min. to 35-3/4" (90.8 cm) max. | 36" (91.4 cm) | 36" (91.4 cm) |
| Cutout height | 82-7/8" (210.5 cm) min. to 84-1/16" (213.5 cm) max. | | |
| Cutout depth | 24" (61.0 cm) min.* | | |



REFRIGERATION

Quiet Cool™ Built-In 36"W. Bottom-Mount Refrigerator/Freezer



Installation Requirements

ACCESS REQUIREMENTS – Dual Installation



*Custom front models fit flush in 25"-deep (63.5 cm) cabinet openings. They can be installed in standard 24"-deep openings. The door faces and top grille will protrude 3/4" (1.9 cm) into the room.

| | VCBB536/VCBB536 | VIBB536/VIBB536 | DFBB536/DFBB536 |
|---------------|--|-----------------|-----------------|
| Cutout width | 71-1/2" (181.6 cm) | 72" (182.9 cm) | 72" (182.9 cm) |
| Cutout height | 82-7/8" (210.5 cm) min. to 84-1/16" (213.5 cm) max. | | |
| Cutout depth | 24" (61.0 cm) min.* | | |





REFRIGERATION

Quiet Cool™ Built-In 36"W. Bottom-Mount Refrigerator/Freezer



✦ Installation Notes & Accessories

Side Panel Kits

- Stainless Steel (SS)
- Panels provide finished, freestanding look; unit must still be secured to the wall
- Kit includes one panel and installation hardware

| Model | Description | Approx. ship wt. lbs. (kg) |
|--------|---------------------------------------|----------------------------|
| PSSPL3 | Professional side panel left (VCBB) | 45 (20.2) |
| PSSPR3 | Professional side panel right (VCBB) | 45 (20.2) |
| DSSPL3 | Designer side panel left (VIBB/DFBB) | 45 (20.2) |
| DSSPR3 | Designer side panel right (VIBB/DFBB) | 45 (20.2) |

Side Panel Hardware Kit

- For use with Designer built-in refrigerator/freezers
- Hardware allows installation of custom side panels
- Kit includes brackets, screws, and installation instructions to mount panels on left and right side

| Model | Description | Approx. ship wt. lbs. (kg) |
|--------|-------------------------|----------------------------|
| SPHKDS | Side panel hardware kit | 3 (1.4) |

Top Panel Kit

- Stainless Steel (SS)
- Panel provides finished, freestanding look; unit must still be secured to the wall
- Kit includes one panel and installation hardware

| Model | Description | Approx. ship wt. lbs. (kg) |
|--------|-----------------|----------------------------|
| TOP-36 | 36"W. top panel | 22 (10.0) |

Top Grille Kits

- Stainless Steel (SS)
- For use with installation of two 36"W. bottom-mount refrigerator/freezers
- Grille creates a single unit look
- Kit includes one full-length grille, center cabinet trim connector, and grill installation hardware

| Model | Description | Approx. ship wt. lbs. (kg) |
|-------------|--|----------------------------|
| PBRTGK72-SS | Professional 72"W. grille (for two VCBB units) | 25 (11.3) |
| DBRTGK72-SS | Designer 72"W. grille (for two DFBB units) | 25 (11.3) |

Handle Kits

- For use with custom front refrigerator/freezers
- For use on locally supplied custom front panels
- Handles allow refrigerator/freezers with custom front panel to coordinate with other Professional and Designer products
- Kit includes two handles and installation hardware

| Model | Description | Approx. ship wt. lbs. (kg) |
|-------------|--|----------------------------|
| PHK-DFBB-SS | Professional handles (Stainless Steel) | 10 (4.5) |
| PHK-DFBB-BR | Professional handles (Brass) | 10 (4.5) |
| HKFDS-SS | Designer handles (Stainless Steel) | 10 (4.5) |
| HKFDS-BR | Designer handles (Brass) | 10 (4.5) |

Compliance Information



WARRANTY SUMMARY*

- Two-year full warranty—complete unit
- Six-year full warranty—sealed refrigeration system and automatic ice maker
- Twelve-year limited warranty—sealed refrigeration system (includes compressor, condenser, dryer/strainer, evaporator, and connecting tubing)
- Ninety-day limited warranty—cosmetic parts such as glass, painted, and decorative items

* For complete warranty see *Use & Care Guide*. Warranty valid on Viking products shipped within the United States and Canada.

