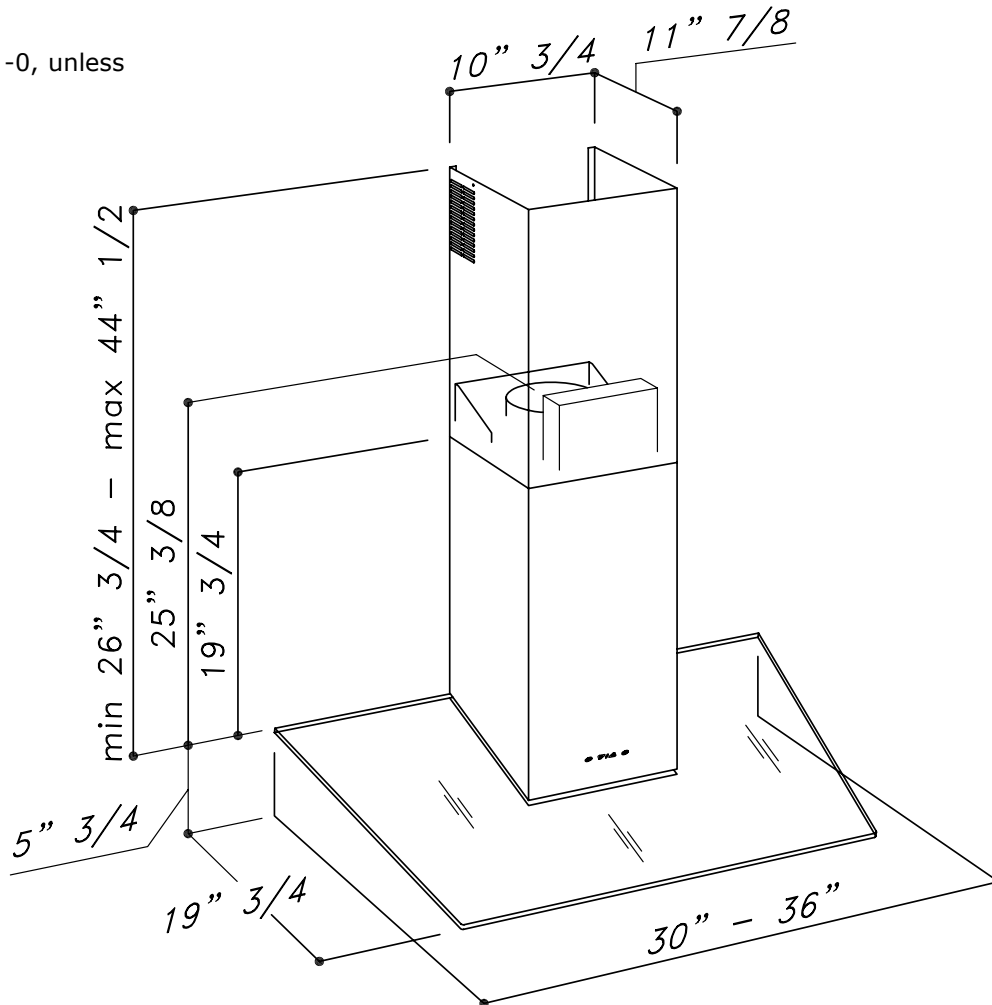


PHW Hoods

DIMENSIONS

Tolerances: +1/6", -0, unless otherwise stated



PHWXXX OVERALL DIMENSIONS

GENERAL SPECIFICATIONS

| | |
|---------------|---------------------------------------|
| Blower | 600 CFM with electronic speed control |
| Blower Speeds | 4 |
| Lights | 120 VAC, 50W halogen (1) |
| Filters | Mesh type, dishwasher safe (2) |
| Exhaust | 8-inch |
| Finish | 430 stainless steel |
| Voltage | 120 VAC, 60 Hz, 3.5 Amps |

IMPORTANT: The minimum installed distance from the hood to the cooktop surface must be no less than 30 inches (26 inches for an electric cooktop). The minimum specified distance may be higher for the particular range or cooktop in use. Check the manufacturers specifications for the cooktop or range.

Web: <http://www.Dacor.com>
Corporate Phone: 800-793-0093

CALCULATING THE MAXIMUM DUCT RUN LENGTH

The maximum straight duct length for the hood is 100 feet. For each elbow and transition added to the duct work, a certain number of feet must be subtracted from the maximum straight length to compensate for wind resistance. To determine the length the duct work cannot exceed, subtract all of the equivalent lengths of the elbows and transitions listed below from 100 feet.

| DUCT PIECE | SUBTRACT |
|--------------------------|----------|
| 90° elbow | 15 feet |
| 45° elbow | 9 feet |
| 3 1/4" x 10" to 8" round | 1 foot |
| Wall cap with damper | 30 feet |
| Roof cap | 30 feet |

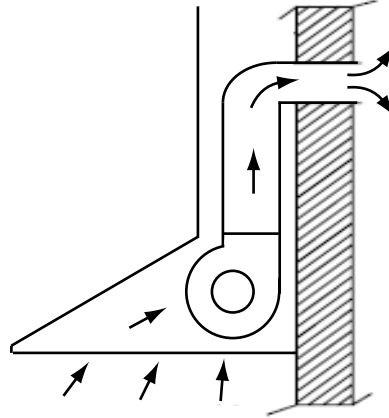
Specifications are subject to change without notice.
See installation instructions for additional details.

PHW Hoods

Calculating the Maximum Duct Run Length

The maximum straight duct length for the hood is 100 feet. For each elbow and transition added to the duct work, a certain number of feet must be subtracted from the maximum straight length to compensate for wind resistance. To determine the length the duct work cannot exceed, subtract all of the equivalent lengths of the elbows and transitions listed below from 100 feet.

| DUCT PIECE | SUBTRACT |
|--------------------------|-----------------|
| 90° elbow | 15 feet |
| 45° elbow | 9 feet |
| 3 1/4" x 10" to 8" round | 1 foot |
| Wall cap with damper | 30 feet |
| Roof cap | 30 feet |



REAR EXHAUST DIAGRAM