

PDW7800/80P

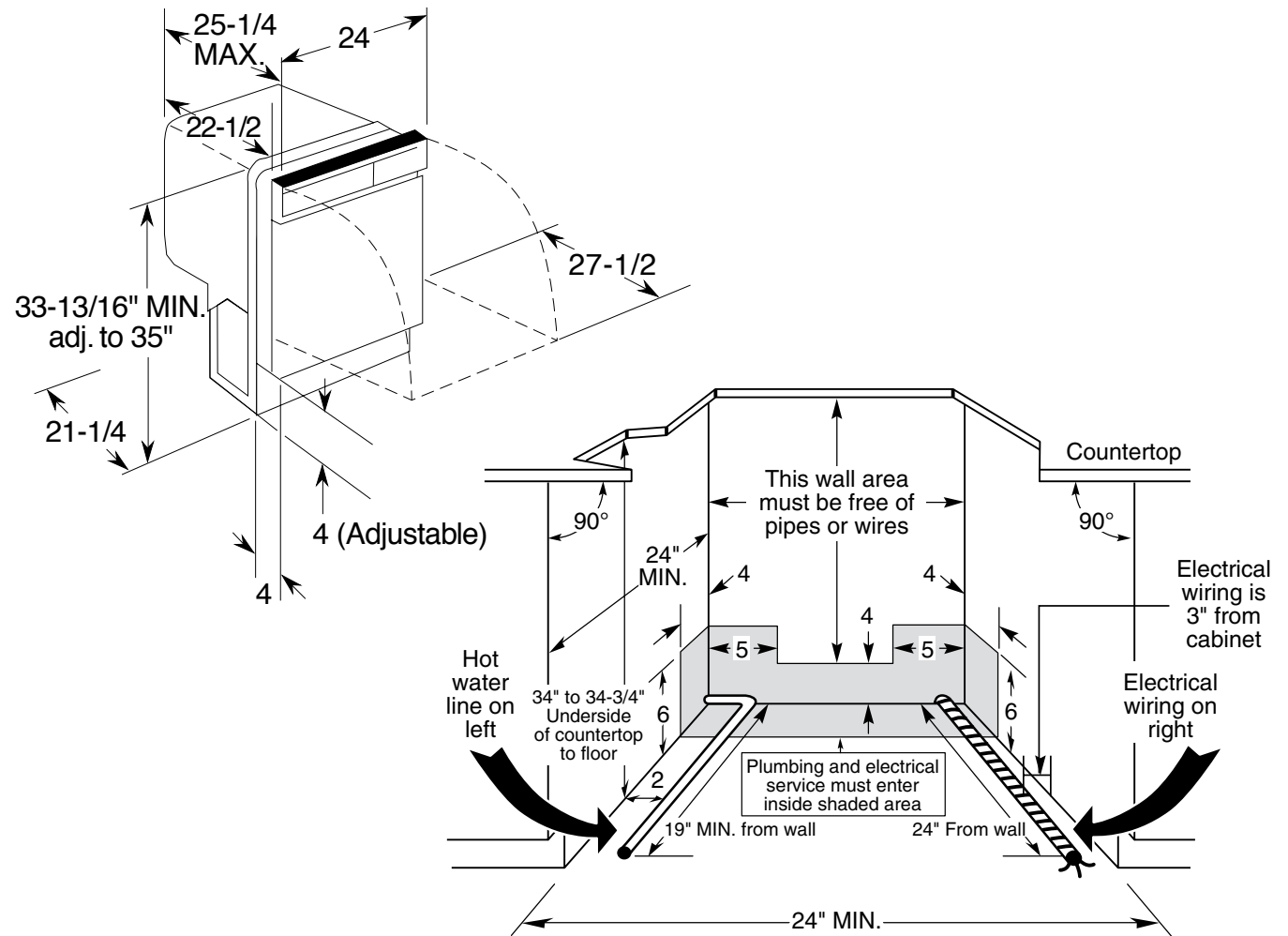
GE Profile™ Built-In Dishwasher

Dimensions and Installation Information (in inches)

Electrical Rating

Voltage AC.....	120
Hertz.....	60
Total connected load amperage.....	9.1
Calrod® heater watts max.....	875

For use on adequately wired 120-volt, 15-amp circuit having 2-wire service with a separate ground wire. This appliance must be grounded for safe operation.



For answers to your Monogram,® GE Profile™ or GE® appliance questions, visit our website at ge.com or call GE Answer Center® service, 800.626.2000.



Listed by Underwriters Laboratories



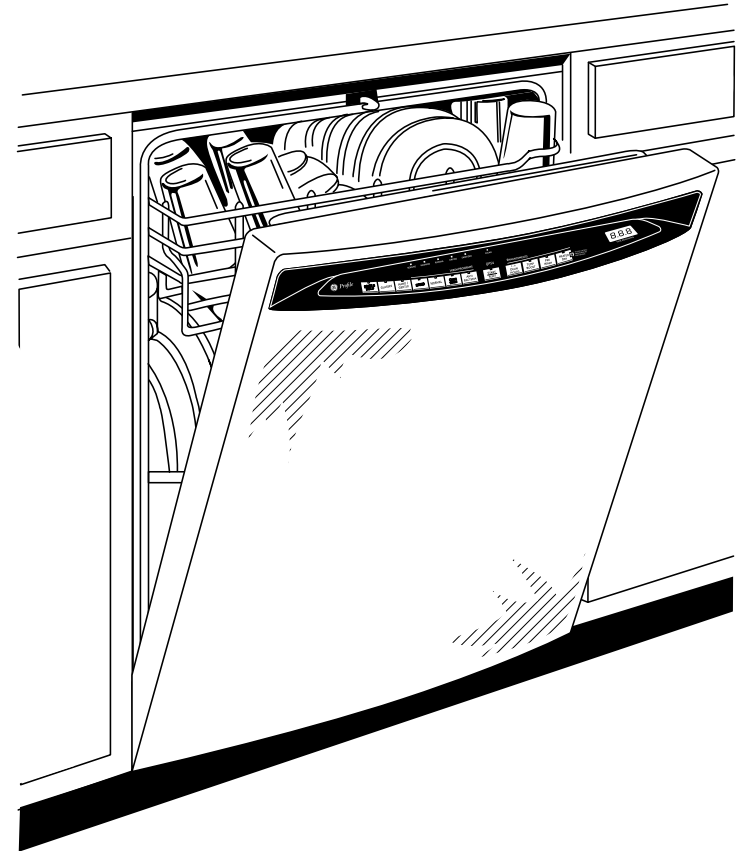
As an ENERGY STAR® partner, GE has determined that this product meets the ENERGY STAR guidelines for energy efficiency.

PDW7800/80P

GE Profile™ Built-In Dishwasher

Features and Benefits

- Giant Tub with up to 16 Place Setting Capacity Nylon Racking - Holds tall and oversized items and washes up to 16 place settings at once
- Four-Position Adjustable Upper Rack - Easy-to-use mechanism allows the upper rack to be moved up, down or diagonally for additional loading flexibility
- Four Utility Shelves with StemSafe™ - Flip down to create an additional shelf in the upper rack for large knives, cups or spatulas or flip up to accommodate tall items in the upper rack; StemSafe gently secures stemware
- 2 Sets of Fold-Down Tines in Lower Rack - Flexible tines make it easier to load the dishwasher
- CleanSensor™ - A laser measures soil and water temperature to adjust to the ideal cycle time and optimize water usage
- Countdown Display with 1-9-Hour Delay Start - Electronic display counts down to the pre-programmed start time
- Glasses Selection - Gently washes glassware and great for entertaining
- Model PDW7800PWW – White on white
- Model PDW7800PCC – Bisque on bisque
- Model PDW7800PBB – Black on black
- Model PDW7880PSS – Stainless steel (shown)



As an ENERGY STAR® partner, GE has determined that this product meets the ENERGY STAR guidelines for energy efficiency.