

KitchenAid®

DRAWER DISHWASHER

Use & Care Guide

For questions about features, operation/performance, parts, accessories or service, call: **1-800-422-1230** or visit our website at www.kitchenaid.com

In Canada, for assistance, installation or service, call: **1-800-807-6777** or visit our website at www.KitchenAid.ca

LAVE-VAISSELLE DOUBLE TIROIR

Guide d'utilisation et d'entretien

Au Canada, pour assistance, installation ou service composez le **1-800-807-6777** ou visitez notre site web à www.KitchenAid.ca

Table of Contents/Table des matières..... 2



Model/ Modèle KUDD01DPPA
528824/8573754

TABLE OF CONTENTS

DISHWASHER SAFETY	3
PARTS AND FEATURES	4
START-UP GUIDE	5
Using Your New Dishwasher	5
Wash System	6
Sound System	6
Drying System	6
DISHWASHER LOADING	6
Loading Suggestions	6
Loading Rack	6
Loading Silverware Basket	8
DISHWASHER USE	9
Detergent Use	9
Rinse Aid Dispenser	10
Performance Tips	10
Wash Cycles	11
Canceling a Cycle	12
Pausing a Cycle	12
Changing a Cycle or Setting	12
Adding Items During a Cycle	12
Option Selections and Adjustments	12
WASHING SPECIAL ITEMS	14
DISHWASHER CARE	15
Cleaning	15
Drain Air Gap	16
Storing	16
TROUBLESHOOTING	17
Error Codes	19
ASSISTANCE OR SERVICE	20
In the U.S.A.	20
In Canada	20
WARRANTY	21

TABLE DES MATIÈRES

LA SÉCURITÉ DU LAVE-VAISSELLE	22
PIÈCES ET CARACTÉRISTIQUES	23
GUIDE DE MISE EN MARCHÉ	24
Utilisation de votre nouveau lave-vaisselle	24
Système de lavage	25
Système sonore	25
Système de séchage	25
CHARGEMENT DU LAVE-VAISSELLE	26
Suggestions de chargement	26
Chargement du panier	26
Chargement du panier à couverts	29
UTILISATION DU LAVE-VAISSELLE	30
Utilisation du détergent	30
Distributeur d'agent de rinçage	31
Conseils pour l'efficacité	31
Programmes de lavage	32
Annulation d'un programme	33
Marquer une pause dans le programme	33
Changement d'un programme ou réglage	33
Ajout de vaisselle durant un programme	33
Sélection des options et ajustements	33
LAVAGE D'ARTICLES SPÉCIAUX	36
ENTRETIEN DU LAVE-VAISSELLE	37
Nettoyage	37
Dispositif anti-refoulement	38
Remisage	38
DÉPANNAGE	39
Codes d'erreur	41
ASSISTANCE OU SERVICE	42
GARANTIE	43

DISHWASHER SAFETY

Your safety and the safety of others are very important.

We have provided many important safety messages in this manual and on your appliance. Always read and obey all safety messages.



This is the safety alert symbol.

This symbol alerts you to potential hazards that can kill or hurt you and others.

All safety messages will follow the safety alert symbol and either the word "DANGER" or "WARNING."

These words mean:

⚠ DANGER

You can be killed or seriously injured if you don't immediately follow instructions.

⚠ WARNING

You can be killed or seriously injured if you don't follow instructions.

All safety messages will tell you what the potential hazard is, tell you how to reduce the chance of injury, and tell you what can happen if the instructions are not followed.

IMPORTANT SAFETY INSTRUCTIONS

WARNING: When using the dishwasher, follow basic precautions, including the following:

- Read all instructions before using the dishwasher.
- Use the dishwasher only for its intended function.
- Use only detergents or rinse agents recommended for use in a dishwasher, and keep them out of the reach of children.
- When loading items to be washed:
 - 1) Locate sharp items so that they are not likely to damage the door seal; and
 - 2) Load sharp knives with the handles up to reduce the risk of cut-type injuries.
- Do not wash plastic items unless they are marked "dishwasher safe" or the equivalent. For plastic items not so marked, check the manufacturer's recommendations.
- Do not touch the heating element during or immediately after use.
- Do not operate the dishwasher unless all enclosure panels are properly in place.
- Do not tamper with controls.
- Do not abuse, sit on, or stand on the door, lid, or dish racks of the dishwasher.
- To reduce the risk of injury, do not allow children to play in or on the dishwasher.
- Under certain conditions, hydrogen gas may be produced in a hot water system that has not been used for two weeks or more. HYDROGEN GAS IS EXPLOSIVE. If the hot water system has not been used for such a period, before using the dishwasher turn on all hot water faucets and let the water flow from each for several minutes. This will release any accumulated hydrogen gas. As the gas is flammable, do not smoke or use an open flame during this time.
- Remove the door or lid to the washing compartment when removing an old dishwasher from service or discarding it.
- Refer to Installation Instructions for instructions pertaining to grounding.

SAVE THESE INSTRUCTIONS



⚠ WARNING

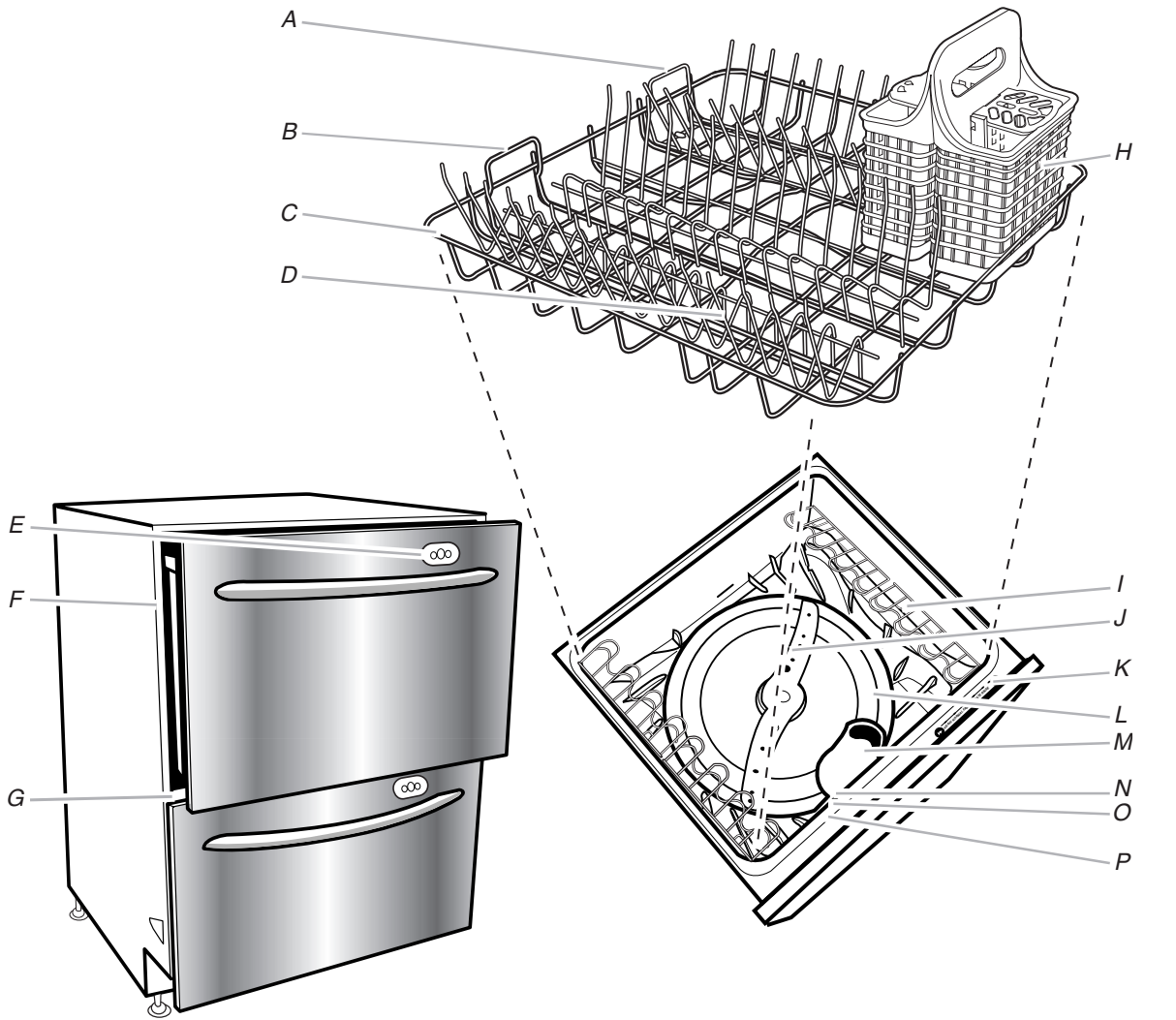
Tip Over Hazard

Do not open dishwasher drawer until inside cabinet opening.

Doing so can result in serious injury.

PARTS AND FEATURES

This manual covers several different models. The features on your dishwasher may vary from those shown below.

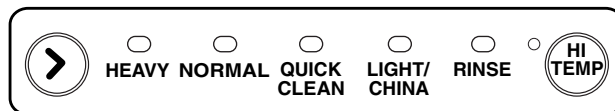


- A. SURE-HOLD® medium rack insert
- B. SURE-HOLD® large rack insert
- C. SURE-HOLD® base rack
- D. SURE-HOLD® light item clips
- E. Control panel (on drawer front)

- F. WHISPER QUIET® sound system
- G. Model and serial number label (on the left front edge between drawers)
- H. FLEXI-BASKET™ silverware basket
- I. Fold-down cup shelves
- J. Spray arm
- K. Control panel (on drawer top edge)

- L. Filter plate
- M. Drain filter
- N. Powdered detergent dispenser (inside front drawer)
- O. Rinse aid dispenser (inside front drawer)
- P. Water inlet (inside front drawer)

Control Panels



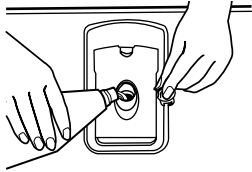
START-UP GUIDE

Before using your dishwasher, remove all packaging materials. Read this entire Use and Care Guide. You will find important safety information and useful operating tips.

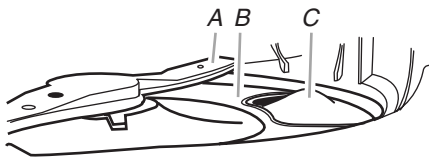
NOTE: Each drawer has its own control panel and can run independently of the other.

Using Your New Dishwasher

1. Rinse aid is essential for good drying. Be sure to fill the rinse aid dispenser before you use your new dishwasher. Each filling will last about 1 to 2 months depending on your usage. (See “Rinse Aid Dispenser.”)

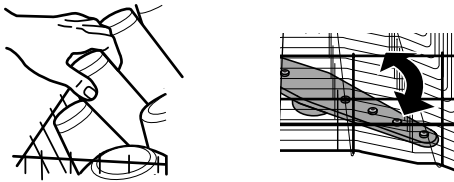


2. Scrape large food soil and hard items (toothpicks or bones) from dishes.
3. Check drain filter and spray arm. (See “Cleaning.”) Ensure the drain filter is flush with the filter plate, and the spray arm can rotate about the center easily.



A. Spray arm
B. Filter plate
C. Drain filter

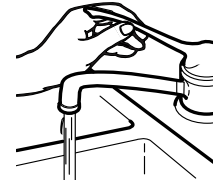
4. Properly load the dishwasher. (See “Dishwasher Loading.”) Load dishes with space in between so water will reach the soiled surfaces. Make sure nothing keeps the spray arm(s) from spinning freely.



5. Add powdered detergent. Always use a high quality brand detergent. (See “Dishwasher Use.”)
IMPORTANT: Only use powdered detergent recommended for dishwashers. Do not use liquid or tablet detergents. Wash performance could be negatively impacted if you use anything other than powdered detergent.



6. Run hot water at the sink until the water is hot. (See “Performance Tips.”) Turn off water.



7. Press the Power pad on the front of the drawer to turn the dishwasher on or off. When the drawer is opened, the dishwasher will automatically power up for 30 seconds even if the Power pad has not been pressed. If no program selection is made, it will power off again.



8. Press the (Cycle Select) or the HI TEMP pad on the top of the drawer opening to select the desired wash cycle. Continue to press the (Cycle Select) or the HI TEMP pad, and the indicators will progress through the different cycles until the desired cycle is selected. The next time you use the dishwasher, it will remember the last cycle used. (See “Wash Cycles.”)



9. Push drawer firmly closed. Press the Start/Resume button on the front of the drawer to start the wash cycle.



NOTES:

- If the dishwasher is operating and a power failure occurs, it will stop. You may not be able to open the drawer at this time. When the power supply is resumed, the dishwasher will start in the same part of the wash cycle.
 - To end the wash cycle in mid-cycle, press the Power pad. Any water in the drawer will be pumped out.
10. The dishwasher will beep 6 times to indicate the end of the wash cycle. At the end of the wash cycle, the drying fan will continue to run for a set time or until the drawer is opened. The fan assists with drying and uses small amounts of energy.
NOTE: It is normal for some water to remain in the drain filter area after the wash cycle is complete.

Wash System

The wash system provides excellent cleaning results. Two levels of filtration filter the wash water and keep food particles from redepositing on the clean dishes.

- A filter plate keeps bones, pits, and other large objects from entering the pump system.
- Items small enough to pass through the filter plate are caught in the drain filter.
- The wash water continuously flows through the drain filter, trapping food particles.

IMPORTANT: Before each wash load, check the drain filter for evidence of food particles and clean. (A small amount of water will remain in the drain filter area.) Food scraps may collect on the filter plate, and the spray arm and filter plate may need cleaning. The spray arm and filter plate may need cleaning about once a month in normal use or more often, should the need arise. (See “Cleaning the Spray Arm, Drain Filter and Filter Plate” in “Cleaning” section.)

Sound System

The WHISPER QUIET® sound insulation system helps to maintain a quiet home environment during dishwasher operation.

NOTE: If you do not load dishes properly, the quiet operation of your dishwasher could be affected. (See “Dishwasher Loading.”)

Drying System

At the end of the selected wash cycle, the drying fan will continue to run for a set time or until the drawer is opened. The fan assists with drying and uses a small amount of energy.

DISHWASHER LOADING

Loading Suggestions

- Remove leftover food, bones, toothpicks and other hard items from the dishes. To conserve water, energy and save time it is not necessary to rinse dishes before putting them into the dishwasher.
- NOTE:** Dishes soiled with tomato-based products should be prerinsed to avoid staining.
- It is important for the water spray to reach all soiled surfaces.
 - Load dishes so they are not stacked or overlapping if possible. For best drying, water must be able to drain from all surfaces.
 - Use special care when loading heavy pots and pans. Heavy items can damage the interior of the door if they are dropped or bumped.
 - Make sure pot lids and handles, etc., do not interfere with the spray arm rotation.
 - Conserve water, energy and save time over hand rinsing by running a rinse cycle to keep dishes moist if you do not plan to wash them soon. Foods such as eggs, rice, pasta, spinach, and cooked cereals may be hard to remove if they are left to dry over a period of time.

Quiet operating tips

To avoid thumping/clattering noises during operation:

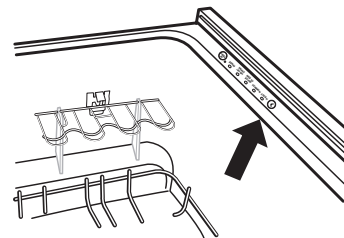
- Make sure lightweight load items are secured in the rack.
 - Make sure pot lids and handles, etc., do not touch interior walls or interfere with the rotation of the spray arm.
 - Load dishes so they do not touch one another.
-

Loading Rack

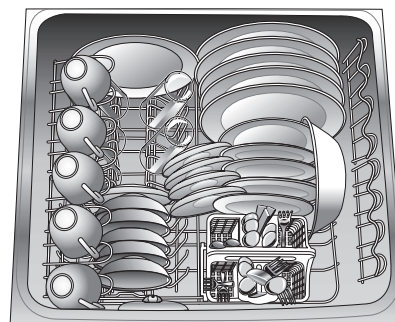
NOTE: If the rack is incorrectly placed in the drawer, the rack can block the spray arm rotation. The rack is properly installed if it is sitting flat on the bottom of the drawer.

The rack is designed for cups, glasses, plates, pans, casseroles and utensils. Many items, up to 11" (28.38 cm), fit in the rack. (See recommended loading patterns shown.)

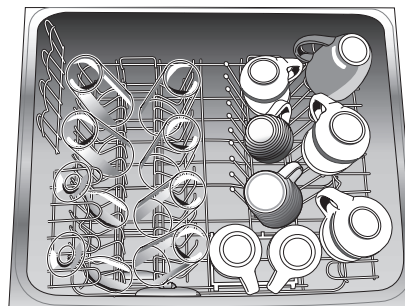
IMPORTANT: Do not load anything above the inside top edge of the drawer as it may keep the drawer lid from properly closing.

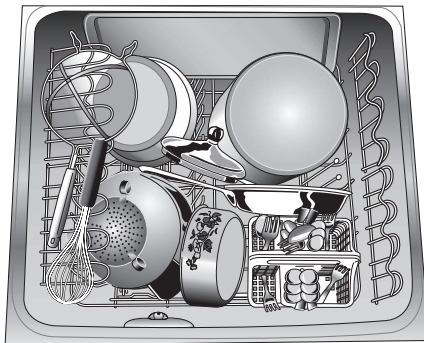
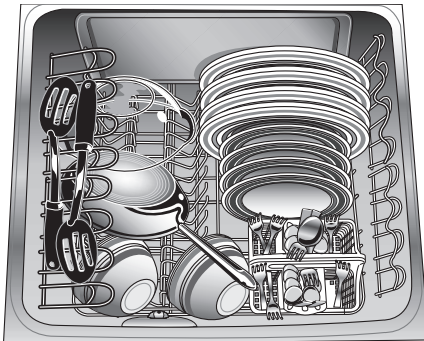
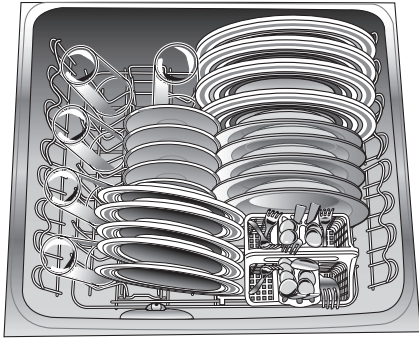


Suggested loading patterns

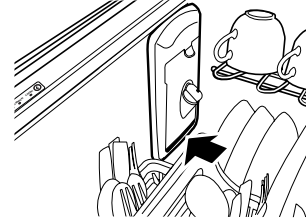


5 place setting





NOTE: Do not load items between the rack and the detergent dispenser because they might block the water inlet opening located at the base of the dispenser.

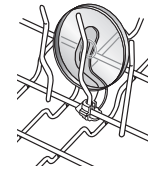


Fold-Down Cup Shelves

Fold down the cup shelves on the sides of the drawer to hold additional cups, stemware or long items such as utensils and spatulas. Fold up when you need room for larger items in the main rack.

SURE-HOLD® light item clips

The light item clips hold lightweight plastic items such as cups, lids, or bowls in place during washing.



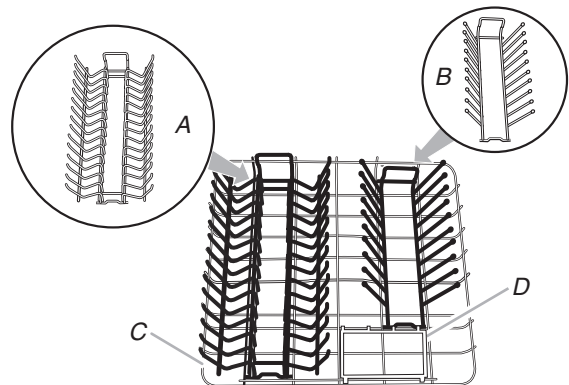
To move a clip

1. Pull the clip up and off the tine.
2. Reposition the clip on another tine.

SURE-HOLD® base rack and removable rack inserts

The SURE-HOLD® removable rack inserts (see illustration below) allow you to adjust the rack for the type of load you are washing. You can remove one or more of the inserts to customize the rack for a particular load. This is useful when washing a variety of dishes, pots and pans, or roasters.

NOTE: The removable inserts are not designed to be lifted out of the drawer while loaded with dishes.

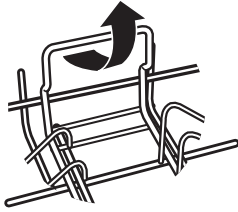


- A. Large insert
- B. Medium insert
- C. Base rack
- D. Drain filter access panel

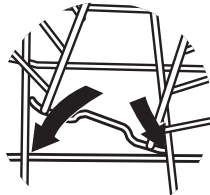
- Place items so open ends face down for cleaning and draining.
- China, crystal, and other delicate items must not touch each other during dishwasher operation. Damage may occur.
- Load small items in the rack only if they are secured in place.
- Load plastic items so the force of the spray does not move them during the cycle. Only plastic items marked "dishwasher safe" are recommended.
- To avoid chipping, do not let stemware touch other items.
- Small bowls, pans, and other utensils can be placed in the rack.
- Load plates, soup bowls, etc., between tines.
- Overlap the edges of plates for large loads.
- Load soup, cereal, and serving bowls in the rack in a variety of ways depending upon their size and shape. Load bowls securely between the rows of tines. Do not nest bowls because the spray will not reach all surfaces.
- Load cake pans and other large items at the sides and back. Loading such items in front can keep the water spray from reaching the rinse aid dispenser.
- Secure heavily soiled cookware face down in the rack.

To remove either insert

1. Gently pull in and up on the handle to release the insert handle from the base rack.



2. Once the handle is lifted up, tilt the insert to the left or right to release the insert legs on the other end from their position under the base rack wire.

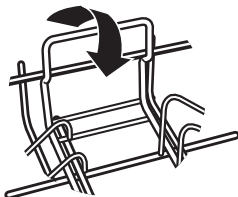


To install either insert

1. Tilt the rack insert end to the left or right to insert the legs under the base rack wires as shown below.

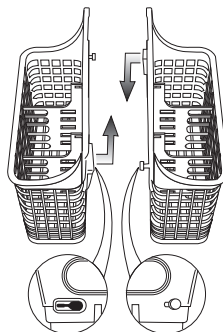


2. Straighten the insert into position along the bottom of the base rack.
3. Gently pull in and push down on the insert handle until the insert locks into position in the base rack.

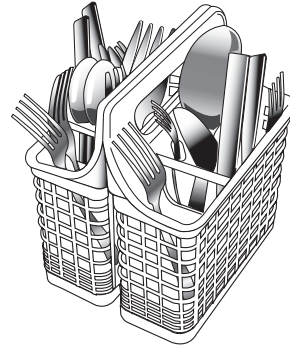


Loading Silverware Basket

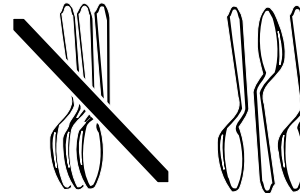
The FLEXI-BASKET™ silverware basket can be separated and placed into the rack in several locations. Hold joined basket firmly and slide each basket until the tab aligns with the keyhole on the back of each basket and pull apart. Now use both sections or just one to load silverware.



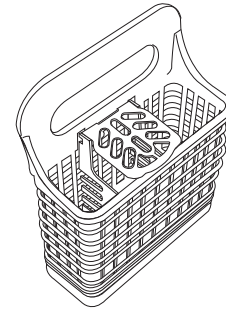
Load the silverware basket while it is in the rack or take the basket out for loading on a counter or table. The silverware basket can be removed for easy unloading.



Use the center section with cover down to load silverware in set positions and avoid nesting. Mix items in end sections of the basket with some pointing up and some down to avoid nesting. Spray cannot reach nested items.

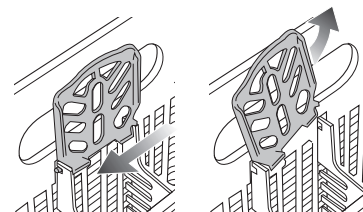


Place small items such as baby bottle caps, jar lids, corncob holders, etc., in the middle section with the hinged cover. Close the cover over the section to hold small items in place.



To remove the center basket cover

1. Slide the cover to one side until one hinge end pops out of the holder.
2. Tilt cover and slide in the opposite direction until the other hinge end pops out of holder. Remove cover.



To install the center basket cover

1. Insert a cover hinge end into holder on one side.
2. Slide the cover until you can insert the opposite hinge end into the holder on the other side and slide into place.

IMPORTANT: Always load items (knives, skewers, etc.) pointing down.

NOTES:

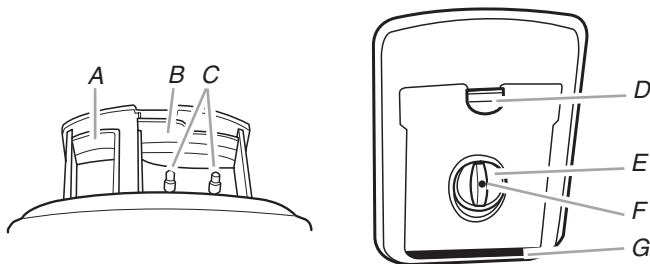
- Do not load silver or silver-plated silverware with stainless steel. These metals can be damaged by contact with each other during washing.
- Some foods (such as salt, vinegar, milk products, fruit juices, etc.) can pit or corrode silverware. Run a rinse cycle if you do not have a full load to wash immediately.
- Check the bottom of the silverware basket to ensure items have not come through as they may stop spray arm rotation.

DISHWASHER USE

Detergent Use

The detergent and rinse aid dispenser is located on the front inside wall of the drawer. The detergent dispenser has two sections, the pre wash section is the smaller and the other is for the main wash detergent. The pre wash and main wash sections both have inside fill line markings. The pre wash section has one marking which represents 1 tsp (5 mL). When it is full, it holds 2 tsp (10 mL). The main wash section has two markings, the lowest mark indicates 2 tsp (10 mL), the middle mark 4 tsp (20 mL), and when it is full it contains 6 tsp (30 mL).

NOTE: The detergent dispenser is designed for use with powdered detergent. Liquid and tablet detergents are not suitable to be used in the dispenser. (Posts inside dispenser are a reminder not to use detergent tablets.)



A. Pre Wash section
B. Main Wash section
C. Posts

D. Detergent dispenser latch
E. Rinse aid dispenser plug
F. Rinse aid indicator light
G. Water inlet opening

IMPORTANT:

- Use powdered, automatic dishwashing detergent only. Other detergents can produce excessive suds that can overflow out of the dishwasher and reduce washing performance.
- Add detergent just before starting a cycle.
- Store tightly closed detergent in a cool, dry place. Using fresh, automatic dishwasher detergent results in better cleaning.

NOTE: Do not use detergent with a rinse cycle.

Filling the powdered detergent dispenser

1. Press the latch down and the door will open.
2. Pour in detergent. No detergent is needed for the Rinse cycle.
3. After filling the section(s), close the dispenser door until it clicks shut. The detergent will automatically be released into the drawer during the wash cycle.

How much powdered detergent to use

- The detergent quantities suggested in the chart are for individual drawer use.
- The amount of detergent to use depends on the hardness of your water and the type of detergent. If you use too little, dishes will not be clean. If you use too much in soft water, glassware will etch.
- Water hardness can change over a period of time. Find out your water's hardness by asking your local water department, water softener company, or county extension agent.
- You can order, at no charge, a water hardness test strip. In the U.S.A., call the Customer eXperience Center and ask for Part Number 4171690. (See "Assistance or Service.")
- Different brands of dishwasher detergent have different amounts of phosphorus for softening water. If you have hard water and use a detergent with a phosphorous content of less than 8.7%, you might need to use more detergent, or use a detergent with a phosphorous content higher than 8.7%.

Water Type	Wash Cycles	Detergent Quantities	
		Pre Wash	Main Wash
Hard (13 grains per U.S. gallon or above)	All**	2 tsp* (10 mL)	6 tsp* (30 mL)
	All**	2 tsp* (10 mL)	4 tsp* (20 mL)
Medium (7-12 grains per U.S. gallon)	Heavy	1 tsp* (5 mL)	3 tsp* (15 mL)
	Normal	1 tsp* (5 mL)	2 tsp* (10 mL)
	Quick Clean		1 tsp* (5 mL)
	Light/China		1 tsp* (5 mL)

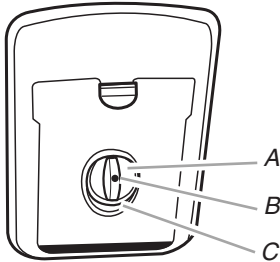
*tsp = teaspoon. 1 tsp = 5 mL.

**No detergent is required in pre wash section for the Quick Clean and Light/China cycles.

Rinse Aid Dispenser

The regular use of liquid rinse aid gives the best drying results. Rinse aids keep water from forming droplets that can dry as spots or streaks. They also help keep metal from tarnishing. They improve drying by allowing water to drain off of the dishes during the final rinse. Your dishwasher is designed to use a liquid rinse aid. Do not use a solid or bar-type rinse aid.

The rinse aid dispenser is located on the front inside of the drawer underneath the detergent dispenser.



A. Rinse aid plug
B. Rinse aid indicator light
C. Rinse aid dispenser

How much rinse aid to use

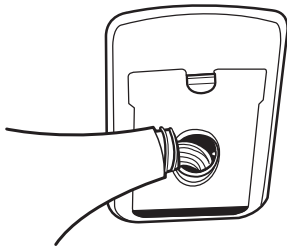
The regulator may need adjusting to suit your water conditions. The lowest setting is “1” and the highest is “5.” For hard water, the rinse aid dispenser should be used with its setting fixed at 5. (See “Option Selections and Adjustments” section.)

NOTE: If there is excessive foam at the end of the wash, reduce the rinse aid dispenser setting. If dishes are wet or streaky after drying, increase the rinse aid dispenser setting.

Filling the rinse aid dispenser

The rinse aid dispenser holds 1.7 oz (50.28 mL) of rinse aid. Under normal conditions, this will last for about 1 to 2 months. Try to keep it full, but be sure not to overfill it.

1. Turn the plug counterclockwise and remove.
2. Pour the rinse aid into the circular opening.



3. Take care not to spill rinse aid into the drawer. Any spills must be wiped up to avoid excess foaming.
4. Fit the plug back into the original position.

Rinse Aid indicator

If the rinse aid indicator light is red, refill the dispenser. If the rinse aid indicator light is not lit, there is enough rinse aid for the wash. You do not have to wait until the dispenser is empty to refill.

Performance Tips

Hot water dissolves and activates the dishwashing detergent. Hot water also dissolves grease on dishes and helps glasses dry spot-free. For best dishwashing results, water should be 120°F (49°C) as it enters the dishwasher. Loads may not wash as well if the water temperature is too low. Water that is too hot can make some soils harder to remove and cause certain detergent ingredients not to function. If your water heater is located far from the dishwasher, it may be necessary to run the hot water at the faucet closest to the dishwasher to minimize the amount of cold water in the water line.

To check water temperature

1. Run hot water at the faucet closest to your dishwasher for at least 1 minute.
2. Place a candy or meat thermometer in a glass measuring cup.



3. Check the temperature on the thermometer as the water is running into the cup.

Additional efficiency tips


- To save water, energy and time, do not rinse dishes before putting them into the dishwasher.
- Choose the cycle that describes the most difficult soil on your dish load.
- Do not worry about mixed loads. Any item that is dishwasher safe can be washed using any cycle. (See “**NOTES:**” in the “Loading Silverware Basket” section.)
- Use a delay feature to run your dishwasher during off-peak hours. Local utilities recommend avoiding heavy usage of energy at certain times of day. (See “Option Selections and Adjustments.”)
- Use a rinse aid to improve drying.
- Use cycles or options that add extra heat to the wash or rinse portion of the cycle for better performance.
- Run your dishwasher with full loads. Run a rinse cycle after meals until the dishwasher is full.
- If your home is equipped with a water softener, you may want to avoid starting the dishwasher during the regeneration of the softener, since this may contribute to poor wash performance.


Wash Cycles

Select the wash cycle desired. The indicator is lit above the selected cycle. Press the Start/Resume button.

This model meets the ENERGY STAR® guidelines for energy efficiency.

NOTE: Please refer to “Detergent Use” for recommended detergent dispenser sections and powdered detergent amounts to use.

 Standard Cycles - when to use (These cycles use less energy and time.)					
cycle description	Heavy	Normal	Quick Clean	Light/China	Rinse
		Use this cycle for heavily soiled, everyday dishes.	Use this cycle for normally soiled dishes for optimum energy use.	Use this cycle for a quick wash and light dry to clean up cookware prior to entertaining. This cycle uses a shortened dry time. Towel drying may be needed.	Use this cycle for china and crystal. This cycle uses a gentle light wash and gentle dry.
	Pre Wash 1 Pre Wash 2 Main Wash 149°F (65°C) Rinse 1 Rinse 2 Final Rinse 149°F (65°C) Dry	Pre Wash Main Wash 131°F (55°C) Rinse Final Rinse 131°F (55°C) Dry	Main Wash 113°F (45°C) Rinse Final Rinse 113°F (45°C)	Pre Wash Main Wash 113°F (45°C) Rinse Final Rinse 122° F (50°C) Dry	Pre Wash

 Hi Temp Wash Cycles - when to use (The red indicator is lit when this cycle is selected.)					
cycle description	Heavy	Normal	Quick Clean	Light/China	Rinse
		Use this cycle for heavily soiled, everyday dishes and hard-to-clean cookware.	Use this cycle for normally soiled dishes for optimum wash and dry performance.	Use this cycle for a quick wash and light dry for lightly soiled dishes. Towel drying may be needed.	Use this cycle for lightly soiled china and crystal. This cycle uses a gentle light wash and gentle dry.
	Pre Wash 1 Pre Wash 2 Pre Wash 3 Main Wash 149°F (65°C) Rinse 1 Rinse 2 Final Rinse 163°F (73°C) Dry	Pre Wash 1 Pre Wash 2 Main Wash 144°F (62°C) Rinse Final Rinse 140°F (60°C) Dry	Pre Wash Main Wash 131°F (55°C) Rinse Final Rinse 122°F (50°C)	Pre Wash Main Wash 122°F (50°C) Rinse Final Rinse 131° F (55°C) Dry	Pre Wash

NOTE: Wash times can vary depending on the incoming water temperature, type of dish load, and whether the drawer has been opened during the wash.

Canceling a Cycle

To end a wash cycle in mid-cycle, press the Power button.



Any water in the drawer will be pumped out.

Pausing a Cycle

To pause the drawer during its wash cycle, press START/RESUME and wait for 3 beeps before opening.



Restart by pressing START/RESUME.

IMPORTANT: Forcing the drawer open in mid-cycle may cause damage to the dishwasher.

NOTE: If the drawer is operating and a power failure occurs, it will stop. The drawer may not be opened during this time. When the power supply resumes, the drawer will restart in the same part of the wash cycle.

Changing a Cycle or Setting

1. Press the Power button to end the current cycle. Wait for the drawer to drain.



2. When the draining stops, open the drawer.
3. Press the desired wash cycle button to select the desired wash cycle. The lighted indicators will progress until the desired cycle is selected.



OR



4. Check the detergent dispensers. They must be filled properly for the new cycle. (See “Detergent Use.”)
5. Close the drawer.
6. Press START/RESUME.



Adding Items During a Cycle

You can add an item anytime before the main wash starts. Open the drawer and check the detergent amount. If the detergent is still visible, you can add items.

To add items

1. Press START/RESUME and wait for 3 beeps before opening the drawer.



2. If the detergent is still visible in the detergent dispenser, you may add the item.
3. Close the drawer firmly.
4. Restart by pressing START/RESUME.

IMPORTANT: Forcing the drawer open in mid-cycle may cause damage to the dishwasher.

Option Selections and Adjustments

After using the dishwasher, you may want to use or adjust some of the preset options available to suit your needs. You can select the Lock button, Control lock, Keylock or Delay Start mode. You can adjust the settings for Rinse Aid, Auto Power, and End of Wash Program beeps.

NOTE: Indicator light colors vary depending on your dishwasher. See following descriptions.

Lock button

The Lock button activates/deactivates the Control lock or the Keylock functions.

Use the Lock button to prevent unintended use of the dishwasher. You can also use either of the lock options to prevent unintended cycle or option changes during a wash cycle.



Control lock

- The Control lock feature disables all of the buttons on the dishwasher.
 1. To activate, press and hold the Lock button until you hear 1 beep (about 3 seconds).
 2. To cancel, press and hold the Lock button until the light disappears.
-

Keylock

- The Keylock feature locks the drawer closed and disables the dishwasher and all buttons.
 1. To activate, press and hold the Lock button until you hear the 2 beeps (about 5 seconds).
 2. To cancel, press and hold the Lock button until the light disappears.

Delay Start mode

The start of the selected wash cycle can be delayed from 1 to 12 hours.

To activate the Delay Start

1. Press and hold the Start/Resume button until the light above turns orange or lavender depending on model.



2. The dishwasher will beep as you hold down the button. Each “beep” represents an hour delay, so for each beep while the button is pressed an additional hour delay will be programmed until the desired delay time is reached.
3. Make sure the drawer is closed.
4. The dishwasher will start after the set delay time has elapsed.

To cancel the Delay Start

1. Press the Power button to turn off the dishwasher or hold the Start/Resume button until the light turns green or blue (depending on model).



Power button

OR



Start/Resume button

To enter the Option Adjustment Mode

1. Press the Power button to turn the dishwasher to the Normal Operating Mode.
2. Press and hold the HI TEMP and Lock buttons at the same time for 5 seconds. When the buttons have been correctly pressed, one long beep is sounded and the Start/Resume light is red.
3. Release the HI TEMP and lock buttons.
4. Use the appropriate buttons on the control panel to make the necessary adjustments. These are explained below.
5. Once the changes have been made, press the Power button to return to the Normal Operating Mode.

NOTE: The dishwasher automatically saves these changes.

To adjust the Rinse Aid setting

NOTE: If there is excessive foam at the end of the wash, reduce the rinse aid dispenser setting. If dishes are wet or streaky after drying, increase the rinse aid dispenser setting. (See “How much rinse aid to use” in “Rinse Aid Dispenser” section.)

1. Enter the Option Adjustment Mode as explained above. The light above the Start/Resume button is red to indicate this setting has been chosen.
2. The current Rinse Aid setting is shown on the wash cycle indicator panel. The number of red lights lit on the panel shows what the current rinse aid setting is. For example, if 4 red lights are lit on the panel, then the Rinse Aid setting is at 4.



Example of Rinse Aid setting at 4

3. Press the Lock button to increase or decrease the Rinse Aid setting, the red lights will scroll up to 5 and then start from 1 again.
4. Once you have selected the desired Rinse Aid setting, press the Power button to return to the Normal Operating Mode.

To remove the Auto Power setting

When the dishwasher leaves the factory, it is programmed to automatically power up whenever the drawer is opened even if the Power pad has not been pressed. The dishwasher will not start washing until the drawer is closed and the Start/Resume button has been pressed. If you do not want the dishwasher to automatically power up, this feature can be turned off.

1. Enter the Option Adjustment Mode as explained at the beginning of this section.
2. Press the Start/Resume button until the light above is orange or lavender (depending on model), and the light above the HI TEMP button is red. If it is not, press the Power button to return to Normal Operating Mode and start again.
3. Press the Lock button to turn the Auto Power feature on or off. If all the red lights on the wash cycle panel are off, then the Auto Power feature has been turned off.
4. Press the Power button to return to the Normal Operating Mode.

Auto Power On



Auto Power Off

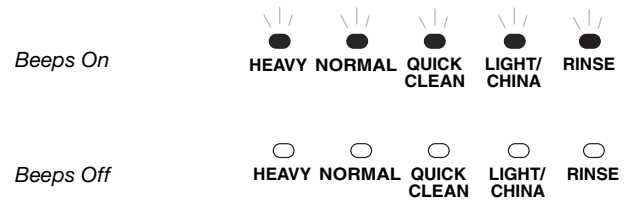


To remove the “End of Wash” cycle beeps

The factory has programmed the dishwasher to beep 6 times at the end of the selected wash cycle. This feature can be turned off.

1. Enter the Option Adjustment Mode as explained at the beginning of this section.
2. Press the Start/Resume button until the light above is green or blue (depending on model), and the HI TEMP light is red. If it is not, press POWER to start again.
3. Press the Lock button to turn the “End of Wash” cycle beeps on or off as desired. The “End of Wash” cycle beeps have been turned off if all the red lights on the wash cycle panel are off.

4. Press the Power button to return to the Normal Operating Mode.



WASHING SPECIAL ITEMS

If you have doubts about washing a particular item, check with the manufacturer to see if it is dishwasher safe.

Material	Dishwasher Safe?/Comments
Aluminum	Yes High water temperature and detergents can affect finish of anodized aluminum.
Disposable Aluminum	No Do not wash throwaway aluminum pans in the dishwasher. These might shift during washing and transfer black marks to dishes and other items.
Bottles and Cans	No Wash bottles and cans by hand. Labels attached with glue can loosen and clog the spray arms or pump and reduce washing performance.
Cast Iron	No Seasoning will be removed, and iron will rust.
China/ Stoneware	Yes Always check manufacturer's recommendations before washing. Antique, hand-painted, or over-the-glaze patterns may fade. Gold leaf can discolor or fade.
Crystal	Yes Always check manufacturer's recommendations before washing. Some types of leaded crystal can etch with repeated washing.
Gold	No Gold-colored flatware will discolor.
Glass	Yes Milk glass yellows with repeated dishwasher washing.

Material	Dishwasher Safe?/Comments
Hollow-Handle Knives	No Handles of some knives are attached to the blade with adhesives which can loosen if washed in the dishwasher.
Pewter, Brass, Bronze	No High water temperatures and detergent can discolor or pit the finish.
Disposable Plastics	No Cannot withstand high water temperatures and detergents.
Plastics	Yes Always check manufacturer's recommendations before washing. Plastics vary in their capacity to withstand high temperatures and detergents.
Stainless Steel	Yes Run a rinse cycle if not washing immediately. Prolonged contact with food containing salt, vinegar, milk products, or fruit juice can damage finish.
Sterling Silver or Silver Plate	Yes Run a rinse cycle if not washing immediately. Prolonged contact with food containing salt, acid, or sulfide (eggs, mayonnaise, and seafood) can damage finish.
Tin	No Can rust.
Wooden Ware	No Wash by hand. Always check manufacturer's instructions before washing. Untreated wood can warp, crack, or lose its finish.

DISHWASHER CARE

Cleaning

Cleaning the exterior

In most cases, regular use of a soft, damp cloth or sponge and a mild detergent is all that is necessary to keep the outside of your dishwasher looking nice and clean. Dry with a clean, lint-free cloth.

Cleaning the interior

Hard water minerals can cause a white film to build up on the inside surfaces.

Do not clean the dishwasher interior until it has cooled. You may want to wear rubber gloves. Do not use any type of cleanser other than dishwasher detergent because it may cause foaming or sudsing.

To clean interior

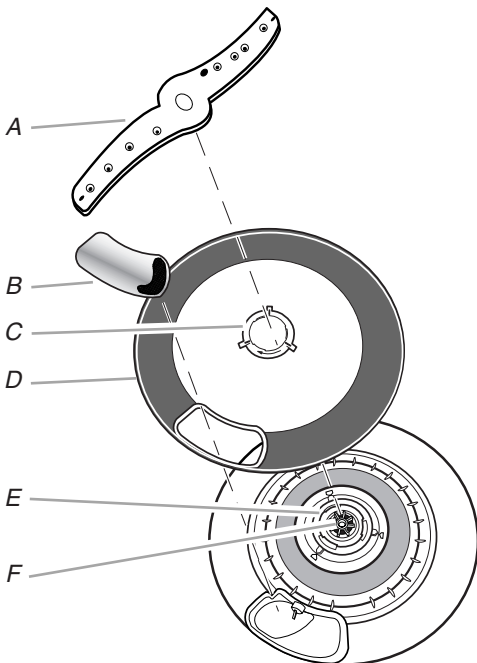
Make a paste with powdered dishwasher detergent on a damp sponge and clean.

OR

See the vinegar rinse procedure in "Spotting and filming on dishes" in "Troubleshooting."

NOTE: Run a Normal cycle with detergent after cleaning the interior.

Cleaning the Spray Arm, Drain Filter and Filter Plate



A. Spray arm
B. Drain filter
C. Outer ring
D. Filter plate
E. Center ring
F. Impeller

To clean the Spray Arm

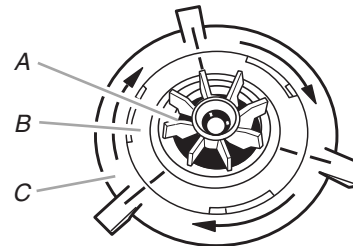
1. Gently remove the base rack. Lift from the back end first so that you do not bump the detergent and rinse aid dispenser.
2. Lift the spray arm and shake out any foreign material.
3. Rinse the spray arm under running water and wipe it with a damp cloth.
4. Place the spray arm back onto the impeller.

To clean the Drain Filter

1. If the base rack is in place, lift up the drain filter access panel located under the silverware basket.
2. Lift and remove the drain filter out of the drawer.
3. Empty the drain filter, rinse under clean running water, and place back into the drain space.
4. Make sure that the drain filter is flush with the filter plate.

To clean the Filter Plate

1. Make sure that the dishwasher is cool before you start cleaning the filter plate and follow the instructions for removing the spray arm and drain filter.
2. In the center of the filter plate, there are two rings — an outer ring and a center ring. Hold the center ring still and turn the outer ring counterclockwise, $\frac{1}{8}$ turn, until the tabs and notches in both rings align. This will release the filter plate.



A. Impeller
B. Center ring
C. Outer ring

Correct locking position of Filter Plate with motor assembly

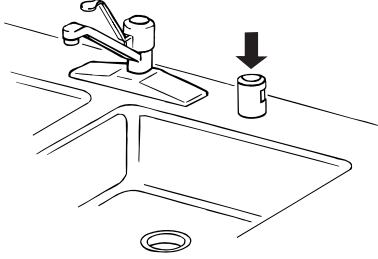
3. Lift up the filter plate. Remove any soil, wash in hot soapy water, and rinse thoroughly in clean water. The bottom of the drawer can be wiped with a damp cloth.
4. Replace the filter plate so that it lies flat in the base of the drawer.
5. Align the outer ring making sure that the tabs align with the notches in the center ring.
6. To lock the filter plate into position, hold the center ring while you turn the outer ring clockwise until the lines on the two rings align. (See illustration above.)
7. When properly installed, you should not be able to move the filter plate.

IMPORTANT: For best performance, the drawer must be used with the filter plate, drain filter, and spray arm correctly in place.

Drain Air Gap

Check the drain air gap anytime your dishwasher isn't draining well.

Some state or local plumbing codes require the addition of a drain air gap between a built-in dishwasher and the home drain system. If a drain is clogged, the drain air gap protects your dishwasher from water backing up into it.



The drain air gap is usually located on top of the sink or countertop near the dishwasher. To order a drain air gap, call your local dealer; or call us or your designated service center and ask for Part Number 300096. For more information, see "Assistance or Service."

NOTE: The drain air gap is an external plumbing device that is not part of your dishwasher. The warranty provided with your dishwasher does not cover service costs directly associated with the cleaning or repair of the external drain air gap.

To clean the drain air gap

Clean the drain air gap periodically to ensure proper drainage of your dishwasher. Follow the cleaning instructions provided by the manufacturer. With most types, you lift off the chrome cover. Unscrew the plastic cap. Then check for any soil buildup. Clean if necessary.

Storing

Storing for the summer

Protect your dishwasher during the summer months by turning off the water supply and power supply to the dishwasher.

Winterizing your dishwasher

Protect your dishwasher and home against water damage due to freezing water lines. If your dishwasher is left in a seasonal dwelling or could be exposed to near freezing temperatures, have your dishwasher winterized by authorized service personnel.

TROUBLESHOOTING

First try the solutions suggested here and possibly avoid the cost of a service call...

Dishwasher is not operating properly

■ Dishwasher does not run or stops during a cycle

Is the drawer closed tightly?

Is the correct wash cycle selected? Refer to “Wash Cycles.”

Is there power to the dishwasher? Has a household fuse blown, or has a circuit breaker tripped? Replace the fuse or reset the circuit breaker. If the problem continues, call an electrician.

Is an Error Code indicated? (See “Error Codes.”)

■ Dishwasher will not fill

Is the water shut-off valve (if installed) turned on?

■ Dishwasher seems to run too long

Is the water supplied to the dishwasher hot enough? The drawer runs longer while heating water. Refer to the “Performance Tips” section.

A delay automatically occurs in some wash and rinse cycles until the water reaches the proper temperature.

■ Water remains in the dishwasher

Is the cycle complete? A small amount of water will remain in the drain filter area.

■ Excess water in the dishwasher

Are there blocked drain filters? Clean the drain filter and filter plate. (See “Cleaning.”)

Is the drain hose bent or kinked? Straighten or unblock hoses. (See “Error Codes.”)

■ Odor in the dishwasher

Are dishes washed only every 2 or 3 days? Run a rinse cycle once or twice a day until you have a full load.

Does the drawer have a new plastic smell? Run a vinegar rinse as described in “Spotting and filming on dishes.”

Dishes are not completely clean

■ Food soil left on the dishes

Is the dishwasher loaded correctly? If not, it can block rotation of the spray arm. Refer to the “Dishwasher Loading” section.

Can the spray arm rotate freely? Check that no items are obstructing the spray arm path.

Are the spray arm holes blocked? Clean the spray arm. See “Cleaning the Spray Arm, Drain Filter and Filter Plate” in “Cleaning” section.

Are the drain filter and filter plate clean and installed correctly? See “Cleaning the Spray Arm, Drain Filter and Filter Plate” in “Cleaning” section.

Is the base rack correctly installed? Refer to “Loading Rack.”

Is the water temperature too low? For best dishwashing results, water should be 120°F (49°C) as it enters the dishwasher. Refer to the “Performance Tips” section.

Is the correct cycle selected? Refer to “Wash Cycles.”

Did you use the correct amount of fresh detergent? Use recommended dishwasher detergents only. Refer to the “Detergent Use” section. Do not use less than 1 tsp (5 mL) per load. Detergent must be fresh to be effective. Store detergent in a cool, dry area. Heavy soil and/or hard water generally require extra detergent.

Is the pump or spray arm clogged by labels from bottles and cans?

Is the home water pressure high enough for proper dishwasher filling? Home water pressure should be 20 to 120 psi (138 to 828 kPa) for proper dishwasher fill. If you have questions about your water pressure, call a licensed, qualified plumber.

Are high suds slowing the wash arm? Do not use soap or laundry detergents. Use recommended powdered dishwasher detergents only.

Spots and stains on dishes

■ Spotting and filming on dishes

Is your water hard or is there a high mineral content in your water? Conditioning the final rinse water with a liquid rinse aid helps eliminate spotting and filming. Keep the rinse aid dispenser filled.

Is the water temperature too low? For best dishwashing results, water should be 120°F (49°C) as it enters the dishwasher. Refer to the “Performance Tips” section.

Did you use the correct amount of effective detergent? Use recommended powdered dishwasher detergents only. Refer to the “Detergent Use” section. Do not use less than 1 tsp (5 mL) per load. Detergent must be fresh to be effective. Store detergent in a cool, dry area. Heavy soil and/or hard water generally require extra detergent.

Is the home water pressure high enough for proper dishwasher filling? Home water pressure should be 20 to 120 psi (138 to 828 kPa) for proper drawer fill. If you have questions about your water pressure, call a licensed, qualified plumber.

NOTE: To remove spots and film from dishes, try a white vinegar rinse. This procedure is intended for occasional use only. Vinegar is an acid and using it too often could damage your drawer.

1. Wash and rinse dishes. Remove all silverware or metal items.
2. Put 1 cup (250 mL) white vinegar in a glass or dishwasher-safe measuring cup on the rack.
3. Run the dishwasher through a complete washing cycle. Do not use detergent. Vinegar will mix with the wash water.

- **Silica film or etching (silica film is a milky, rainbow-colored deposit; etching is a cloudy film)**

Sometimes there is a water/chemical reaction with certain types of glassware. This is usually caused by some combination of soft or softened water, alkaline washing solutions, insufficient rinsing, overloading the drawer, and the heat of drying. It might not be possible to avoid the problem, except by hand washing.

To slow this process use a minimum amount of powdered detergent but not less than 1 tsp (5 mL) per load. Use a liquid rinse aid and underload the drawer to allow thorough rinsing. Silica film and etching are permanent and cannot be removed.

- **White spots on cookware with nonstick finish**

Has the dishwasher detergent removed cookware seasoning? Reseason cookware after washing in the drawer.

- **Brown stains on dishes and drawer interior**

Does your water have high iron content? Rewash dishes using 1-3 tsp (5-15 mL) of citric acid crystals added to the detergent dispenser main wash section. Do not use detergent. Follow with a Normal wash cycle with detergent. If treatment is needed more often than every other month, the installation of an iron removal unit is recommended.

- **Black or gray marks on dishes**

Are aluminum items rubbing dishes during washing? Disposable aluminum items can break down in the dishwasher and cause marking. Hand wash these items. Remove aluminum markings by using a mild abrasive cleaner.

- **Orange stains on plastic dishes or dishwasher interior**

Are large amounts of tomato-based foods on dishes placed in the dishwasher? It may be necessary to use a stain removal product to remove stains from your dishwasher. Stains will not affect dishwasher performance.

Dishes do not dry completely

- **Dishes are not dry**

Did you load your drawer to allow proper water drainage? Do not overload. Refer to the "Dishwasher Loading" section. Use a liquid rinse aid to speed drying. You may need to adjust the Rinse Aid setting. (See "Option Selections and Adjustments.")

Are the plastics wet? Plastics often need towel drying.

Is the rinse aid dispenser empty? Refer to the "Rinse Aid Dispenser" section.

Dishes are damaged during a cycle

- **Chipping of dishes**

Did you load the dishwasher properly? Load the dishes and glasses so they are stable and do not strike together from washing action.

NOTE: Antiques, feather-edged crystal, and similar types of china and glassware might be too delicate for automatic dishwashing. Wash by hand.

Excessive pump noise

- Are the filter plate and/or spray arm correctly placed?
- Is there water in the pump area? It is normal during first use or after the dishwasher has not been used for long periods of time. Run the drawer through a wash cycle.

Water leaking

- Is the drain hose disconnected from a waste pipe? Reconnect the drain hose to the waste pipe.
- Is the supply inlet hose correctly connected? Make sure that the inlet hose is connected securely.
- Are there other leaks? Turn off water and power supplies to the dishwasher. Contact an authorized service agent. (See "Assistance or Service.")

Dishwasher will not open

- Is the Keylock option selected? Turn Lock off. Hold down the Lock button until the green light disappears and/or press the Power button to open the drawer. Refer to "Option Selections and Adjustments."

Intermittent beeping

- The dishwasher is in a pause mode. Close the drawer and press the Start/Resume button.

Continuous beeping

- A failure has occurred. (See "Error Codes.")



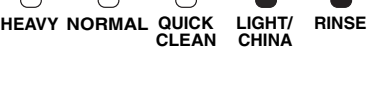
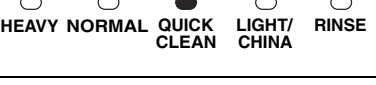
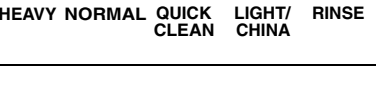

Error Codes

How to recognize an Error Code

When a failure has occurred, the dishwasher will continuously beep every second and the Start/Resume indicator light will be red. The error code will be displayed with the red light indicators on the wash cycle panel. (For specific failures see the illustrations below.)

To solve a failure issue

1. Press the Power button to remove the error code.
2. If the error code and continuous beeps cannot be removed by pressing POWER, turn the power off at the power supply.
3. Check the chart below and correct the failure wherever possible.
4. After attending to the failure, turn the dishwasher on at the power supply.
5. If the error code and continuous beeps remain, turn the water and power supply off to the dishwasher.
6. Call your authorized service center. (See “Assistance or Service.”) Advise the technician of the error code that has appeared on the dishwasher.

Error Codes	Possible Causes	What to do
	Flood switch has been activated.	Turn the water and power supply to the dishwasher off and call your authorized service center.
	Motor problem.	Call your authorized service center.
	Temperature sensor failed.	Make sure that water going in through the inlet hose is not hotter than 149°F (65°C). (Refer to “To check water temperature” in the “Performance Tips” section.) Call your authorized service center.
	Temperature sensor or element failure.	Call your authorized service center.
	Electronics malfunction.	Call your authorized service center.
	Fill failure.	<ul style="list-style-type: none"> ■ Turn on the dishwasher water supply. ■ Make sure the spray arm can rotate around the center. If the dishwasher is full of water, it will need to be emptied manually.

If you have any questions about operating the product, please contact the Customer eXperience Center. (See “Assistance or Service.”)

ASSISTANCE OR SERVICE

Before calling for assistance or service, please check “Troubleshooting.” It may save you the cost of a service call. If you still need help, follow the instructions below.

When calling, please know the purchase date and the complete model and serial number of your appliance. This information will help us to better respond to your request.

If you need replacement parts

If you need to order replacement parts, we recommend that you use only factory-specified parts. These parts will fit right and work right, because they are made with the same precision used to build every new KITCHENAID® appliance.

To locate factory-specified parts in your area, call us or your nearest designated service center.

In the U.S.A.

Call the KitchenAid Customer eXperience Center toll free: **1-800-422-1230**.

Our consultants provide assistance with:

- Features and specifications on our full line of appliances.
- Installation information.
- Use and maintenance procedures.
- Accessory and repair parts sales.
- Specialized customer assistance (Spanish-speaking, hearing-impaired, limited-vision, etc.).
- Referrals to local dealers, repair parts distributors, and service companies. KitchenAid designated service technicians are trained to fulfill the product warranty and provide after-warranty service, anywhere in the United States.

To locate the KitchenAid designated service company in your area, you can also look in your telephone directory Yellow Pages.

For further assistance

If you need further assistance, you can write to us with any questions or concerns at:

KitchenAid Brand Home Appliances
Customer eXperience Center
553 Benson Road
Benton Harbor, MI 49022-2692

Please include a daytime phone number in your correspondence.

In Canada

Call the KitchenAid Canada Customer Interaction Centre toll free: **1-800-807-6777**.

Our consultants provide assistance with:

- Features and specifications on our full line of appliances.
- Warranty information.
- Use and maintenance procedures.
- Accessory and repair parts sales.
- Referrals to local dealers, repair parts distributors, and service companies. KitchenAid designated service technicians are trained to fulfill the product warranty and provide after-warranty service, anywhere in Canada.

For further assistance

If you need further assistance, you can write to us with any questions or concerns at:

KitchenAid Canada
Customer Interaction Centre
1901 Minnesota Court
Mississauga, Ontario L5N 3A7

Please include a daytime phone number in your correspondence.

KITCHENAID® DISHWASHER WARRANTY

TWO YEAR LIMITED WARRANTY

For two years from the date of purchase, when this major appliance is operated and maintained according to instructions attached to or furnished with the product, KitchenAid or KitchenAid Canada (hereafter "KitchenAid") will pay for factory specified parts and repair labor to correct defects in materials or workmanship. Service must be provided by a KitchenAid designated service company.

THIRD THROUGH FIFTH YEAR LIMITED WARRANTY ON CERTAIN COMPONENT PARTS

In the third through the fifth year from the date of purchase, when your major appliance is installed, operated and maintained according to instructions attached to or furnished with the product, KitchenAid will pay for factory specified parts for the following components if defective in materials or workmanship: the upper and lower drawer nylon dishracks, the nylon cup shelves and the silverware baskets.

ITEMS KITCHENAID WILL NOT PAY FOR

1. Service calls to correct the installation of your major appliance, to instruct you how to use your major appliance, to replace or repair house fuses or to correct house wiring or plumbing.
 2. Service calls to repair or replace appliance light bulbs, air filters or water filters. Those consumable parts are excluded from warranty coverage.
 3. Repairs when your major appliance is used for other than normal, single-family household use.
 4. Damage resulting from accident, alteration, misuse, abuse, fire, flood, acts of God, improper installation, installation not in accordance with electrical or plumbing codes, or use of products not approved by KitchenAid.
 5. Replacement parts or repair labor costs for units operated outside the United States or Canada.
 6. Pickup and delivery. This major appliance is designed to be repaired in the home.
 7. Repairs to parts or systems resulting from unauthorized modifications made to the appliance.
 8. Expenses for travel and transportation for product service in remote locations.
 9. The removal and reinstallation of your appliance if it is installed in an inaccessible location or is not installed in accordance with published installation instructions.
-

DISCLAIMER OF IMPLIED WARRANTIES; LIMITATION OF REMEDIES

CUSTOMER'S SOLE AND EXCLUSIVE REMEDY UNDER THIS LIMITED WARRANTY SHALL BE PRODUCT REPAIR AS PROVIDED HEREIN. IMPLIED WARRANTIES, INCLUDING WARRANTIES OF MERCHANTABILITY OR FITNESS FOR A PARTICULAR PURPOSE, ARE LIMITED TO ONE YEAR OR THE SHORTEST PERIOD ALLOWED BY LAW. KITCHENAID SHALL NOT BE LIABLE FOR INCIDENTAL OR CONSEQUENTIAL DAMAGES. SOME STATES AND PROVINCES DO NOT ALLOW THE EXCLUSION OR LIMITATION OF INCIDENTAL OR CONSEQUENTIAL DAMAGES, OR LIMITATIONS ON THE DURATION OF IMPLIED WARRANTIES OF MERCHANTABILITY OR FITNESS, SO THESE EXCLUSIONS OR LIMITATIONS MAY NOT APPLY TO YOU. THIS WARRANTY GIVES YOU SPECIFIC LEGAL RIGHTS AND YOU MAY ALSO HAVE OTHER RIGHTS, WHICH VARY FROM STATE TO STATE OR PROVINCE TO PROVINCE.

Outside the 50 United States and Canada, this warranty does not apply. Contact your authorized KitchenAid dealer to determine if another warranty applies.

If you need service, first see the "Troubleshooting" section of the Use & Care Guide. After checking "Troubleshooting," additional help can be found by checking the "Assistance or Service" section or by calling KitchenAid. In the U.S.A., call **1-800-422-1230**. In Canada, call **1-800-807-6777**.

9/05

Keep this book and your sales slip together for future reference. You must provide proof of purchase or installation date for in-warranty service.

Write down the following information about your major appliance to better help you obtain assistance or service if you ever need it. You will need to know your complete model number and serial number. You can find this information on the model and serial number label located on the product.

Dealer name _____

Address _____

Phone number _____

Model number _____

Serial number _____

Purchase date _____

LA SÉCURITÉ DU LAVE-VAISSELLE

Votre sécurité et celle des autres est très importante.

Nous donnons de nombreux messages de sécurité importants dans ce manuel et sur votre appareil ménager. Assurez-vous de toujours lire tous les messages de sécurité et de vous y conformer.



Voici le symbole d'alerte de sécurité.

Ce symbole d'alerte de sécurité vous signale les dangers potentiels de décès et de blessures graves à vous et à d'autres.

Tous les messages de sécurité suivront le symbole d'alerte de sécurité et le mot "DANGER" ou "AVERTISSEMENT". Ces mots signifient :

⚠ DANGER

Risque possible de décès ou de blessure grave si vous ne suivez pas immédiatement les instructions.

⚠ AVERTISSEMENT

Risque possible de décès ou de blessure grave si vous ne suivez pas les instructions.

Tous les messages de sécurité vous diront quel est le danger potentiel et vous disent comment réduire le risque de blessure et ce qui peut se produire en cas de non-respect des instructions.

IMPORTANTES INSTRUCTIONS DE SÉCURITÉ

AVERTISSEMENT : Lors de l'utilisation du lave-vaisselle, suivre les précautions élémentaires dont les suivantes :

- Lire la totalité des instructions avant d'utiliser le lave-vaisselle.
- N'utiliser le lave-vaisselle que pour laver la vaisselle.
- Utiliser les détergents ou agents de rinçage recommandés pour lave-vaisselle et les garder hors de la portée des enfants.
- Lorsque vous chargez le lave-vaisselle :
 - 1) Placer les objets coupants de façon qu'ils ne puissent endommager le joint de la porte; et
 - 2) Placer les couteaux le manche vers le haut de façon à ne pas vous couper.
- Ne pas laver d'articles en plastique à moins qu'ils ne soient marqués "Peut aller au lave-vaisselle" ou l'équivalent. Si l'article ne porte aucune indication, vérifier auprès du fabricant.
- Ne pas toucher l'élément chauffant pendant le fonctionnement ou immédiatement après.
- Ne pas faire fonctionner le lave-vaisselle si tous les panneaux de l'enceinte ne sont pas en place.
- Ne pas jouer avec les commandes.
- Ne pas abuser, vous asseoir ni monter sur la porte, le couvercle ou les paniers du lave-vaisselle.
- Pour éviter tout risque d'accident, ne pas laisser les enfants jouer dans ou sur le lave-vaisselle.
- Sous certaines conditions, de l'hydrogène peut se former dans un réseau d'eau chaude inutilisé depuis deux semaines ou plus. L'HYDROGÈNE EST UN GAZ EXPLOSIBLE. Si le système d'eau chaude n'a pas été utilisé depuis un certain temps, laisser couler l'eau chaude des robinets pendant quelques minutes avant de faire fonctionner le lave-vaisselle. Cette mesure permettra à l'hydrogène de s'évaporer. Ce gaz étant inflammable, ne pas fumer ni utiliser de flamme nue pendant cette période.
- Enlever la porte ou le couvercle du compartiment de lavage lorsque vous remplacez ou mettez au rebut un vieux lave-vaisselle.
- Se référer aux Instructions d'installation pour des instructions relatives à la mise à la terre.

CONSERVEZ CES INSTRUCTIONS

⚠ AVERTISSEMENT

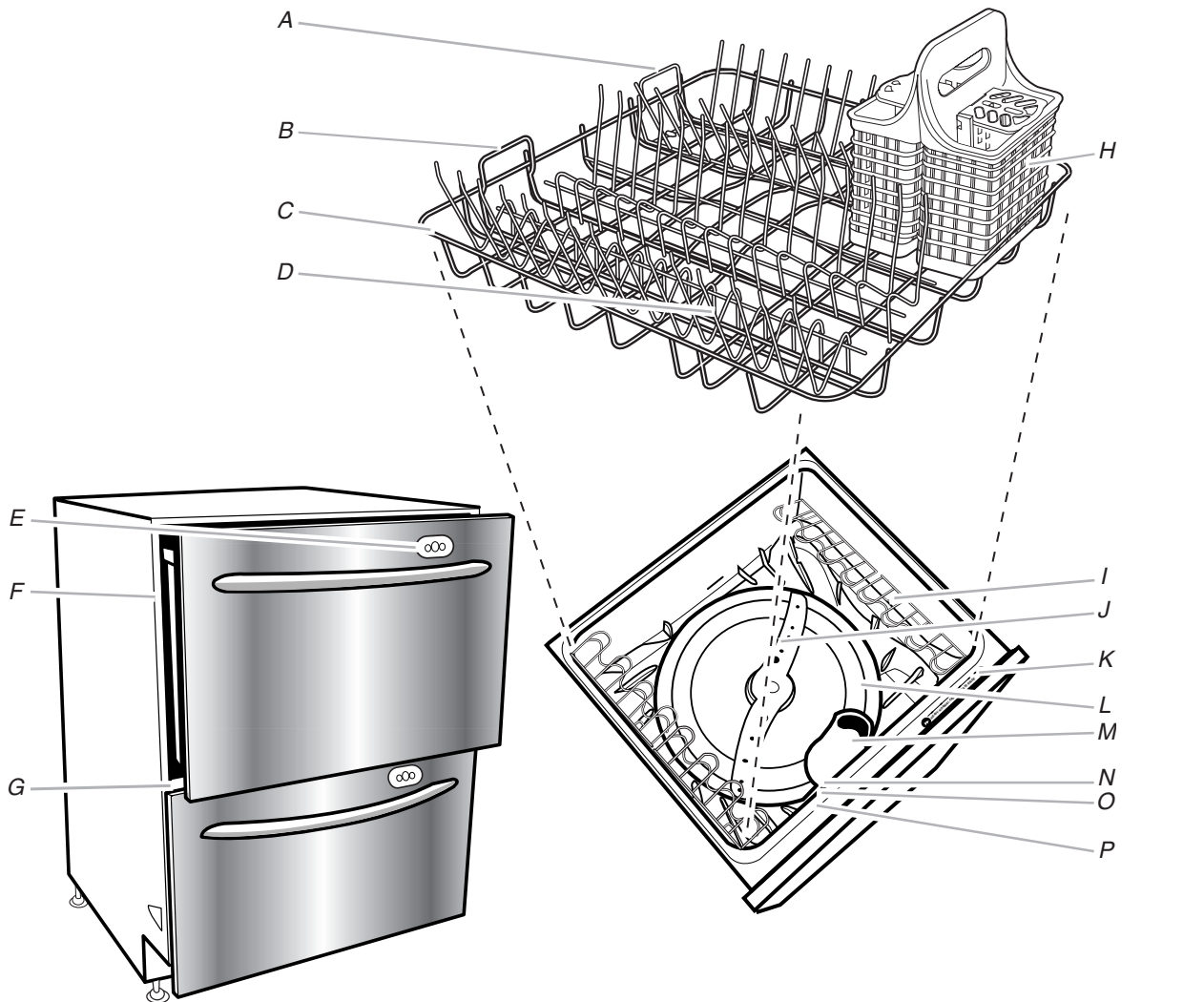
Risque de basculement

Ne pas ouvrir le tiroir du lave-vaisselle tant que ce dernier n'est pas à l'intérieur de l'ouverture du placard.

Le non-respect de cette instruction peut causer des blessures graves.

PIÈCES ET CARACTÉRISTIQUES

Ce manuel couvre plusieurs modèles différents. Les caractéristiques de votre lave-vaisselle peuvent varier par rapport à celles illustrées ci-dessous.

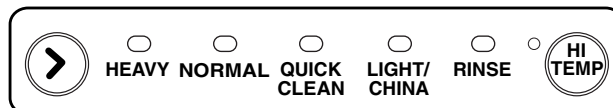


A. Insertion moyenne du panier SURE-HOLD®
 B. Grande insertion du panier SURE-HOLD®
 C. Base du panier SURE-HOLD®
 D. Agrafes pour articles légers SURE-HOLD®
 E. Panneau de commande (à l'avant du tiroir)
 F. Système sonore WHISPER QUIET®

G. Plaque signalétique des numéros de modèle et de série (sur le bord avant gauche entre les tiroirs)
 H. Panier à couverts FLEXI-BASKET™
 I. Tablettes rabattables pour les tasses
 J. Bras d'aspersion
 K. Panneau de commande (sur le bord supérieur du tiroir)

L. Plateau drainant
 M. Filtre de vidange
 N. Distributeur de détergent en poudre (intérieur avant du tiroir)
 O. Distributeur d'agent de rinçage (intérieur avant du tiroir)
 P. Arrivée d'eau (intérieur avant du tiroir)

Tableaux de commande



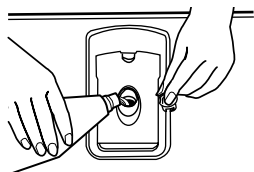
GUIDE DE MISE EN MARCHÉ

Avant d'utiliser le lave-vaisselle, enlever tous les matériaux d'emballage. Lire ce Guide d'utilisation et d'entretien au complet. Vous y trouverez des renseignements de sécurité importants ainsi que des conseils d'utilisation utiles.

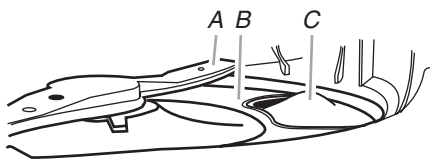
REMARQUE : Chaque tiroir possède son propre panneau de commande et peut fonctionner indépendamment de l'autre.

Utilisation de votre nouveau lave-vaisselle

1. L'agent de rinçage est essentiel pour un séchage satisfaisant. S'assurer de remplir le distributeur d'agent de rinçage avant d'utiliser le lave-vaisselle. Chaque dose durera environ 1 à 2 mois en fonction de l'utilisation. (Voir "Distributeur d'agent de rinçage".)

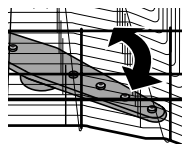
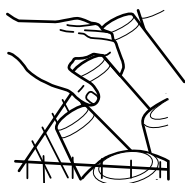


2. Ôter les particules alimentaires et articles durs (cure-dents ou os) de la vaisselle.
3. Vérifier le filtre d'évacuation et le bras d'aspersion. (Voir "Nettoyage".) S'assurer que le filtre d'évacuation est en affleurement avec la plaque de filtration et que le bras d'aspersion peut tourner facilement autour du centre.



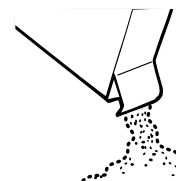
A. Bras d'aspersion
B. Plaque de filtration
C. Filtre d'évacuation

4. Charger correctement le lave-vaisselle. (Voir "Chargement du lave-vaisselle".) Charger la vaisselle en laissant de l'espace pour que l'eau puisse atteindre les surfaces sales. S'assurer que rien n'empêche le(s) bras d'aspersion de tourner librement.

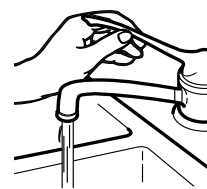


5. Ajouter le détergent en poudre. Toujours utiliser le détergent d'une marque de haute qualité. (Voir "Utilisation du lave-vaisselle".)

IMPORTANT : Utiliser uniquement un détergent en poudre recommandé pour les lave-vaisselle. Ne pas utiliser de détergents liquides ou en tablettes. La performance de lavage peut être affectée par l'utilisation d'un produit autre que le détergent en poudre.



6. Laisser l'eau couler du robinet jusqu'à ce qu'elle soit chaude. (Voir "Conseils d'efficacité".) Fermer l'eau.



7. Appuyer sur le bouton Power (mise sous tension) à l'avant du tiroir pour allumer ou éteindre le lave-vaisselle. Lorsque le tiroir est ouvert, le lave-vaisselle se mettra automatiquement sous tension pendant 30 secondes même si l'on n'a pas appuyé sur le bouton Power. Si aucune sélection de programme n'est effectuée, il se remettra hors tension.



8. Appuyer sur > (Cycle Select/sélection de programme) ou sur le bouton HI TEMP en haut de l'ouverture du tiroir pour sélectionner le programme de lavage souhaité. Continuer d'appuyer sur (Cycle Select) ou sur le bouton HI TEMP, et les indicateurs vont afficher les différents programmes jusqu'à ce que le programme désiré soit sélectionné. Lors de la prochaine utilisation du lave-vaisselle, celui-ci gardera en mémoire le dernier programme utilisé. (Voir "Programmes de lavage".)



9. Bien fermer le tiroir. Appuyer sur le bouton Start/Resume (mise en marche/réinitialisation) à l'avant du tiroir pour démarrer le programme de lavage.



REMARQUES :

- Si une panne de courant survient pendant le fonctionnement du lave-vaisselle, celui-ci s'arrêtera. Il se peut qu'il soit impossible d'ouvrir le tiroir pendant ce laps de temps. Lorsque l'appareil sera à nouveau mis sous tension, le lave-vaisselle reprendra le programme de lavage là où il s'est arrêté.
 - Pour mettre fin au programme de lavage en cours de programme, appuyer sur le bouton Power (mise sous tension). L'eau se trouvant dans le tiroir sera aspirée.
10. Le lave-vaisselle émettra 6 signaux sonores pour indiquer la fin du programme de lavage. À la fin du programme de lavage, le ventilateur de séchage continuera de fonctionner pendant une période pré réglée ou jusqu'à ce que le tiroir soit ouvert. Le ventilateur assiste le séchage et utilise peu d'énergie.

REMARQUE : Il est normal que de l'eau reste dans la zone du filtre d'évacuation une fois le programme de lavage terminé.

Système de lavage

Le système de lavage procure d'excellents résultats de nettoyage. Deux niveaux de filtration filtrent l'eau de lavage et empêchent les particules alimentaires de se redéposer sur la vaisselle propre.

- Une plaque de filtration empêche les os, noyaux et autres gros objets de pénétrer dans le système de pompe.
- Les articles assez petits pour passer à travers la plaque de filtration sont récupérés dans le filtre d'évacuation.
- L'eau de lavage circule de façon continue dans le filtre d'évacuation, bloquant les particules alimentaires.

IMPORTANT : Avant chaque charge de lavage, vérifier le filtre d'évacuation pour le débarrasser, le cas échéant, des particules alimentaires. (Il restera une petite quantité d'eau dans la zone du filtre d'évacuation.) Des particules alimentaires peuvent s'accumuler sur la plaque de filtration et il peut être nécessaire de nettoyer le bras d'aspersion et la plaque de filtration. Il peut être nécessaire de nettoyer le bras d'aspersion et la plaque de filtration environ une fois par mois dans des conditions normales d'utilisation ou plus souvent, si le besoin s'en fait sentir. (Voir "Nettoyage du bras d'aspersion, du filtre d'évacuation et de la plaque de filtration" dans la section "Nettoyage".)

Système sonore

Le système d'insonorisation WHISPER QUIET® aide à préserver un environnement silencieux pendant le fonctionnement du lave-vaisselle.

REMARQUE : Si la vaisselle n'est pas convenablement chargée, le fonctionnement silencieux peut en être affecté. (Voir "Chargement du lave-vaisselle".)

Système de séchage

À la fin du programme de lavage sélectionné, le ventilateur de séchage continuera de fonctionner pendant une période pré réglée ou jusqu'à ce que le tiroir soit ouvert. Le ventilateur assiste le séchage et utilise peu d'énergie.

CHARGEMENT DU LAVE-VAISSELLE

Suggestions de chargement

- Enlever de la vaisselle les restes alimentaires, os, cure-dents et autres articles durs. Pour conserver l'eau, l'énergie et sauver du temps, il n'est pas nécessaire de rincer la vaisselle avant de la placer dans le lave-vaisselle.
- **REMARQUE :** La vaisselle salie avec des produits à base de tomate doivent être pré-rincés pour éviter les taches.
- Il est important que le jet d'eau atteigne toutes les surfaces sales.
- Si possible, charger la vaisselle de telle sorte qu'elle ne soit pas empilée ou en chevauchement. Pour de meilleurs résultats de séchage, l'eau doit pouvoir s'écouler de toutes les surfaces.
- Faire spécialement attention lors du chargement des casseroles et récipients lourds. Les articles lourds peuvent endommager l'intérieur de la porte s'ils sont lâchés ou cognés.
- S'assurer que les couvercles et poignées de casseroles, etc. n'entravent pas la rotation du bras d'aspersion.
- On peut conserver l'eau, l'énergie et sauver du temps sur le rinçage manuel en utilisant un programme de rinçage pour garder la vaisselle légèrement mouillée quand on n'a pas l'intention de la laver bientôt. Les aliments tels que les oeufs, riz, pâtes alimentaires, épinards et céréales cuites peuvent être difficiles à enlever si on les laisse sécher pendant quelque temps.

Conseils de fonctionnement silencieux

Pour éviter les bruits de choc et d'entrechoc durant le fonctionnement :

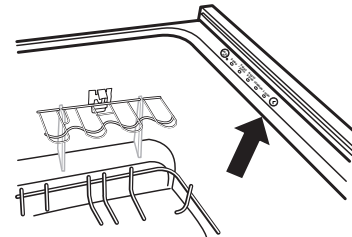
- S'assurer que les articles légers sont bien retenus dans le panier.
- S'assurer que les couvercles et poignées de casserole, etc. ne touchent pas les parois intérieures ou n'entravent pas la rotation du bras d'aspersion.
- Charger la vaisselle pour que les articles ne se touchent pas les uns les autres.

Chargement du panier

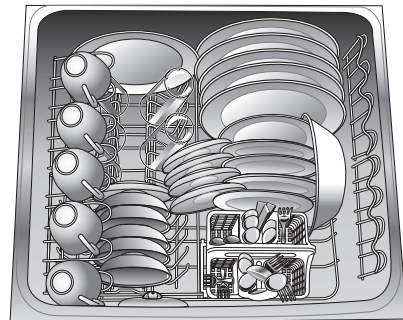
REMARQUE : Si le panier n'est pas placé correctement dans le tiroir, le panier peut bloquer la rotation du bras d'aspersion. Le panier est installé correctement s'il est posé bien à plat au fond du tiroir.

Le panier est conçu pour les tasses, les verres, les assiettes, les poêles, les casseroles et les ustensiles. De nombreux articles jusqu'à 11" (28,38 cm) de hauteur conviennent dans le panier. (Voir les modèles de chargement recommandés dans les illustrations.)

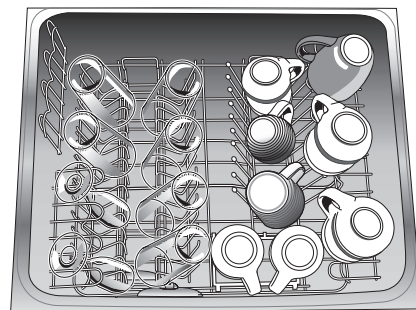
IMPORTANT : Ne rien charger au-dessus du rebord interne supérieur du tiroir car cela peut empêcher le couvercle du tiroir de fermer correctement.

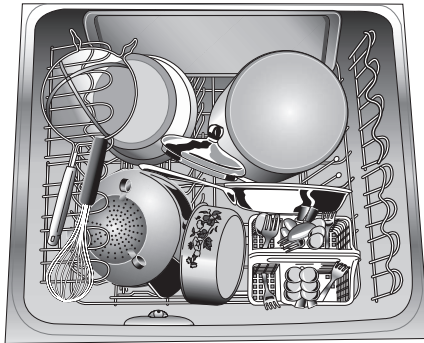
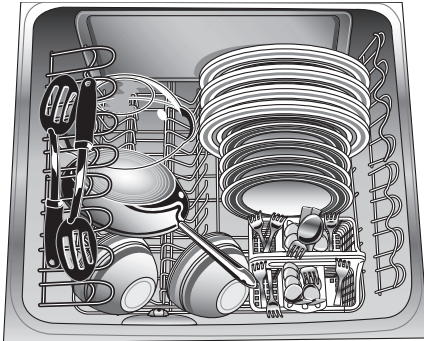
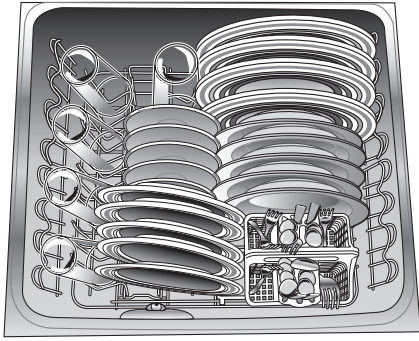


Modèles de chargement suggérés



Charge pour 5 couverts

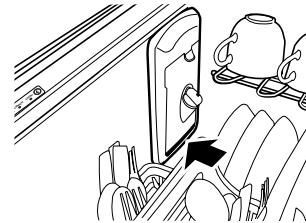




- Pour faciliter le nettoyage et le drainage, orienter la cavité ouverte des articles vers le bas.

- Veiller à ce qu'il n'y ait aucun contact entre les articles de porcelaine, de cristal et autres articles délicats pendant le fonctionnement du lave-vaisselle. Des dommages peuvent survenir.
- Ne charger de petits articles dans le panier que s'ils sont bien fixés en place.
- Placer les articles de plastique de manière à ce que la force du jet d'eau ne les déplace pas durant le programme. Ne laver des articles de plastique au lave-vaisselle que s'ils sont identifiés comme "lavable au lave-vaisselle".
- Pour éviter l'écaillage, veiller à ce que les verres à pied ne touchent pas les autres articles.
- Les petits bols, poêles et autres ustensiles peuvent être placés dans le panier.
- Charger les assiettes, bols à soupe, etc. entre les tiges.
- Pour une charge importante, placer les bords des assiettes en chevauchement.
- Charger les bols à soupe, à céréales et de service dans le panier de diverses façons selon leur taille et forme. Charger les bols solidement entre les rangées de tiges. Ne pas imbriquer les bols car le jet d'eau n'atteindra pas toutes les surfaces.
- Charger les moules à gâteaux et autres gros articles sur les côtés et à l'arrière. Le chargement de tels articles à l'avant peut empêcher le jet d'eau d'atteindre le distributeur d'agent de rinçage.
- Immobiliser les ustensiles de cuisson très sales dans le panier, cavité vers le bas.

REMARQUE : Ne pas charger d'articles entre le panier et le distributeur de détergent car ils pourraient bloquer l'orifice d'entrée d'eau situé à la base du distributeur.

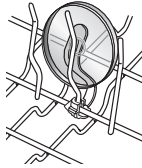


Tablettes rabattables pour les tasses

Rabattre les tablettes pour les tasses sur les côtés du tiroir pour y placer des tasses supplémentaires, des verres à pied ou de longs articles tels que des ustensiles et spatules. Plier pour faire de la place pour des articles plus gros dans le panier principal.

Agrafes SURE-HOLD® pour articles légers

Les agrafes maintiennent les articles légers en plastique tels que les tasses, couvercles ou bols en place pendant le lavage.



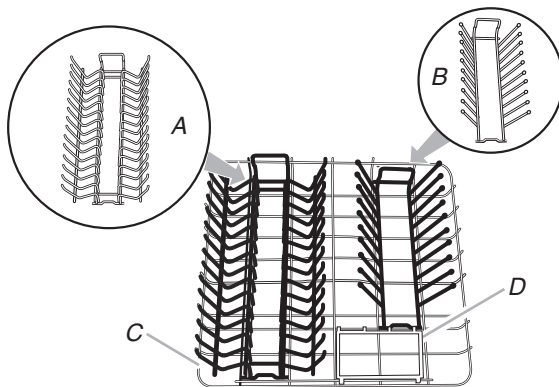
Pour déplacer une agrafe

1. Tirer l'attache vers le haut pour la séparer de la tige.
2. Réinstaller l'attache sur une autre tige.

Base du panier et insertions de panier amovibles SURE-HOLD®

Les insertions amovibles du panier SURE-HOLD® (voir illustration ci-dessous) vous permettent d'ajuster le panier pour le type de charge à laver. On peut enlever une ou plusieurs insertions pour adapter le panier à une charge particulière. Cet arrangement peut être utile lors du lavage d'une variété de plats, casseroles et poêles, ou plats de rôtissage.

REMARQUE : Les insertions amovibles ne sont pas conçues pour être soulevées hors du tiroir lorsqu'elles sont chargées de vaisselle.



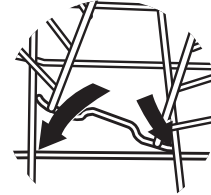
- A. Grande insertion
- B. Insertion moyenne
- C. Base du panier
- D. Panneau d'accès au filtre de vidange

Pour enlever l'une des insertions

1. Tirer doucement sur la poignée vers le haut pour libérer la poignée de l'insertion de la base du panier.

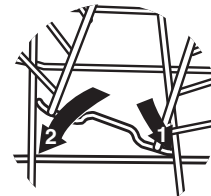


2. Une fois que la poignée est soulevée, incliner vers la gauche ou vers la droite pour libérer les pieds d'insertion à l'autre extrémité de leur emplacement sous la grille métallique de la base.

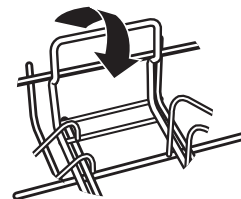


Pour installer l'une des insertions

1. Incliner l'extrémité de l'insertion du panier vers la gauche ou vers la droite pour insérer les pieds sous les tiges métalliques de la base du panier comme illustré ci-dessous.

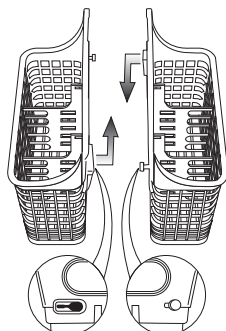


2. Serrer l'insertion en position le long du fond de la base du panier.
3. Tirer doucement et appuyer sur la poignée de l'insertion jusqu'à ce que l'insertion soit verrouillée en position dans la base du panier.

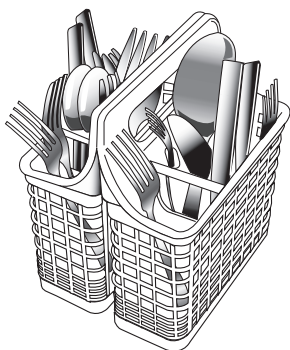


Chargement du panier à couverts

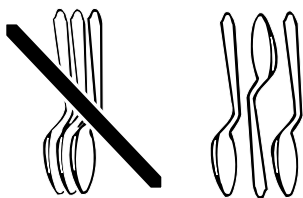
Le panier à couverts FLEXI-BASKET™ peut être séparé et placé dans le panier à différents endroits. Maintenir le panier fermement joint et glisser chaque panier jusqu'à ce que les languettes soient alignées avec le trou de serrure à l'arrière de chaque panier et les séparer. Maintenant utiliser les deux sections ou une seulement pour le chargement des couverts.



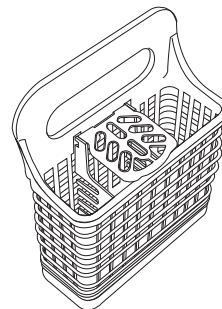
Charger le panier à couverts alors qu'il est dans le panier ou le retirer pour le charger sur un comptoir ou sur une table. Le panier à couverts peut être enlevé pour un déchargement facile.



Utiliser la section centrale avec le couvercle vers le bas pour charger les couverts en position fixe et éviter les imbrications. Assortir les articles dans les extrémités du panier, certains pointant vers le haut et d'autres vers le bas afin que les articles ne s'imbriquent pas. Le jet d'eau ne peut atteindre les articles imbriqués.

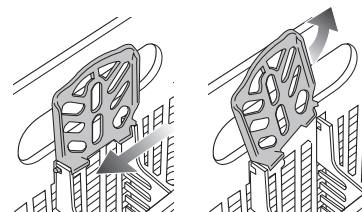


Placer les petits articles tels que les capsules de biberons, couvercles de bocaux, poignées à épis de maïs, etc. dans la section du milieu avec couvercle articulé. Fermer le couvercle pour maintenir les petits articles en place.



Pour enlever le couvercle du panier du centre

1. Glisser le couvercle d'un côté jusqu'à ce que l'extrémité de la charnière sorte du support.
2. Incliner le couvercle et le glisser dans la direction opposée jusqu'à ce que l'autre extrémité de la charnière sorte du support. Enlever le couvercle.



Pour installer le couvercle du panier du centre

1. Insérer une charnière du couvercle dans le support d'un côté.
2. Glisser le couvercle jusqu'à ce qu'on puisse insérer l'extrémité de la charnière opposée dans le support de l'autre côté et glisser en place.

IMPORTANT : Toujours charger les articles (couteaux, brochettes, etc.) pointés vers le bas.

REMARQUES :

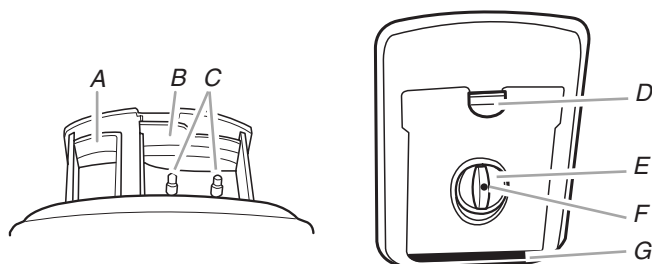
- Ne pas charger d'ustensiles en argent ou plaqués argent avec des articles en acier inoxydable. Ces métaux peuvent être endommagés en cas de contact durant le lavage.
- Certains aliments (tels que le sel, le vinaigre, les produits laitiers, les jus de fruits, etc.) peuvent causer des piqûres ou de la corrosion sur les couverts. Effectuer un programme de rinçage si la charge n'est pas assez pleine pour un lavage immédiat.
- Vérifier le fond du panier à couverts pour s'assurer que des articles ne sont pas passés à travers car ils pourraient arrêter la rotation du bras d'aspersion.

UTILISATION DU LAVE-VAISSELLE

Utilisation du détergent

Le distributeur de détergent et d'agent de rinçage est situé dans la paroi interne à l'avant du tiroir. Le distributeur de détergent comporte deux sections, la plus petite est pour le pré-lavage et l'autre est destinée au détergent pour le lavage principal. Les sections de pré-lavage et de lavage principal comportent toutes les deux des repères de remplissage à l'intérieur. La section de pré-lavage a un repère représentant 1 c. à thé (5 mL). Lorsqu'elle est pleine, elle contient 2 c. à thé (10 mL). La section de lavage principal comporte deux repères, le plus bas indique 2 c. à thé (10 mL), le repère du milieu 4 c. à thé (20 mL), et lorsqu'elle est pleine, elle contient 6 c. à thé (30 mL).

REMARQUE : Le distributeur de détergent est conçu pour utilisation avec détergent en poudre. Les détergents liquides ou en tablettes ne conviennent pas à une utilisation dans le distributeur. (Des renflements à l'intérieur du distributeur vous rappellent de ne pas utiliser de détergent en tablettes.)



A. Section de pré-lavage
B. Section de lavage principal
C. Renflements

D. Loquet du distributeur de détergent
E. Bouchon du distributeur d'agent de rinçage
F. Témoin lumineux de l'agent de rinçage
G. Ouverture de l'arrivée d'eau

IMPORTANT :

- Utiliser uniquement du détergent en poudre pour lave-vaisselle automatique. Les autres détergents peuvent produire un excès de mousse qui risque de déborder du lave-vaisselle et de réduire la performance de lavage.
- Verser le détergent juste avant de démarrer un programme.
- Conserver le récipient du détergent bien fermé dans un lieu sec et frais. Pour de meilleurs résultats de nettoyage, il est préférable d'utiliser un détergent pour lave-vaisselle automatique frais.

REMARQUE : Ne pas utiliser de détergent avec un programme de rinçage.

Remplissage du distributeur de détergent en poudre

1. Appuyer sur le loquet pour ouvrir le couvercle.
2. Verser le détergent. Aucun détergent n'est nécessaire pour le programme de rinçage.
3. Après avoir rempli la/les section(s), fermer le couvercle du distributeur jusqu'au clic de fermeture. Le détergent sera automatiquement libéré dans le tiroir pendant le programme de lavage.

Quantité de détergent en poudre à utiliser

- Les quantités de détergent suggérées dans le tableau correspondent à chaque tiroir.
- La quantité de détergent à utiliser dépend de la dureté de l'eau et du type de détergent. Si on n'utilise pas assez de détergent, la vaisselle ne sera pas parfaitement lavée. Si on utilise trop de détergent dans une eau douce, la solution attaquera les articles en verre.
- La dureté de l'eau peut changer au cours d'une période de temps. Pour déterminer la dureté de l'eau, consulter le service local de distribution d'eau potable, une entreprise d'adoucissement de l'eau ou un conseiller agricole.
- On peut commander, sans frais, une bande-test de la dureté de l'eau. Aux É.-U., appeler le Centre d'interaction avec la clientèle et demander la pièce n° 4171690. (Voir "Assistance ou service").
- Différentes marques de détergent pour lave-vaisselle comportent différentes quantités de phosphore pour adoucir l'eau. Si l'eau de votre domicile est dure et que vous utilisez un détergent dont la teneur en phosphore est inférieure à 8,7%, il faudra peut-être utiliser plus de détergent, ou utiliser un détergent dont la teneur en phosphore est supérieure à 8,7%.

Type d'eau	Programme de lavage	Quantités de détergent	
		Pré-lavage	Lavage principal
Dure (13 grains par gallon US ou plus)	Tous**	2 c. à thé* (10 mL)	6 c. à thé* (30 mL)
Moyenne (7 à 12 grains par gallon US)	Tous**	2 c. à thé* (10 mL)	4 c. à thé* (20 mL)
Douce (0 à 6 grains par gallon US)	Intensif	1 c. à thé* (5 mL)	3 c. à thé* (15 mL)
	Normal	1 c. à thé (5 mL)	2 c. à thé* (10 mL)
	Lavage rapide		1 c. à thé* (5 mL)
	Articles légers/ Porcelaine		1 c. à thé* (5 mL)

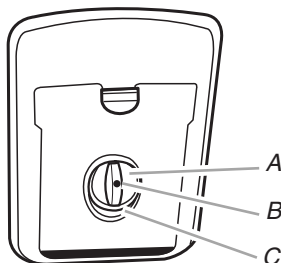
*c. à thé = cuiller à thé. 1 c. à thé = 5 mL.

**Aucun détergent n'est nécessaire dans la section de pré-lavage pour le programme Quick Clean (lavage rapide) et Light/China (articles légers/porcelaine).

Distributeur d'agent de rinçage

L'utilisation régulière d'agent de rinçage liquide permet d'obtenir les meilleurs résultats de séchage. Les agents de rinçage empêchent l'eau de former des gouttelettes qui peuvent sécher en laissant des taches ou coulées. Ils empêchent également le métal de se ternir. Ils améliorent le séchage en permettant à l'eau de s'écouler de la vaisselle lors du rinçage final. Votre lave-vaisselle est conçu pour utiliser un agent de rinçage liquide. Ne pas utiliser un agent de rinçage solide ou en forme de barre.

Le distributeur d'agent de rinçage est situé à l'intérieur avant du tiroir, en dessous du distributeur de détergent.



A. Bouchon pour l'agent de rinçage
B. Témoin lumineux de l'agent de rinçage
C. Distributeur d'agent de rinçage

Quantité d'agent de rinçage à utiliser

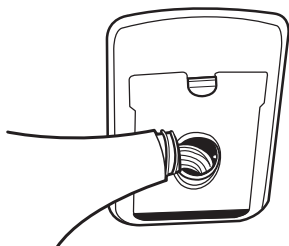
Le régulateur peut nécessiter un ajustement pour convenir aux conditions de l'eau du domicile. "1" est le réglage le plus bas et "5" le réglage le plus élevé. En cas d'eau dure, le distributeur d'agent de rinçage doit être utilisé avec le réglage à 5. (Voir la section "Sélection des options et ajustements".)

REMARQUE : Si un excès de mousse est observé à la fin du lavage, diminuer le réglage du distributeur d'agent de rinçage. Si la vaisselle est mouillée ou comporte des trainées après le séchage, augmenter le réglage du distributeur d'agent de rinçage.

Remplissage du distributeur d'agent de rinçage

La capacité du distributeur d'agent de rinçage est de 1,7 oz (50,28 mL). Dans des conditions normales, cette quantité devrait durer 1 à 2 mois environ. Essayer de le garder plein, mais s'assurer de ne pas le remplir excessivement.

1. Tourner le bouchon dans le sens anti-horaire et l'enlever.
2. Verser l'agent de rinçage dans l'ouverture circulaire.



3. Prendre soin de ne pas renverser d'agent de rinçage dans le tiroir. Tout renversement doit être essuyé pour éviter un excès de mousse.
4. Remettre le bouchon à sa position initiale.

Indicateur de l'agent de rinçage

Si l'indicateur lumineux de l'agent de rinçage est rouge, remplir le distributeur. Si l'indicateur lumineux de l'agent de rinçage n'est pas allumé, il y a suffisamment d'agent de rinçage pour le lavage. Il n'est pas nécessaire d'attendre que le distributeur soit vide pour le remplir.

Conseils pour l'efficacité

L'eau chaude dissout et active le détergent pour lave-vaisselle. L'eau chaude dissout également la graisse sur la vaisselle et contribue au séchage des verres sans taches. Pour obtenir de meilleurs résultats de lavage, l'eau doit être à 120°F (49°C) à son entrée dans le lave-vaisselle. Les charges peuvent ne pas être lavées aussi bien si la température de l'eau est trop basse. Une eau trop chaude peut occasionner des taches difficiles à enlever et empêcher l'action de certains composants de détergents. Si le chauffe-eau est éloigné du lave-vaisselle, il peut être nécessaire de faire couler l'eau chaude au robinet le plus proche du lave-vaisselle pour minimiser la quantité d'eau froide dans la canalisation d'eau.

Contrôle de la température de l'eau

1. Laisser couler l'eau chaude au robinet le plus proche du lave-vaisselle pendant au moins 1 minute.
2. Placer un thermomètre à viande ou à confiserie dans une tasse à mesurer en verre.



3. Vérifier la température sur le thermomètre pendant que l'eau coule dans la tasse.

Conseils d'efficacité supplémentaires


- Pour économiser de l'eau, de l'énergie et du temps, ne pas rincer la vaisselle avant de la placer dans le lave-vaisselle.
- Choisir le programme qui décrit les taches les plus difficiles sur la charge de vaisselle.
- Ne pas se préoccuper des charges mixtes. Tout article allant au lave-vaisselle peut être lavé en utilisant n'importe quel programme. (Voir "**REMARQUES :**" dans la section "Chargement du panier à couverts".)
- Utiliser la caractéristique de mise en marche différée pour faire fonctionner votre lave-vaisselle en dehors des heures de pointe. Les services publics locaux recommandent d'éviter l'emploi intense d'énergie à certaines heures de la journée. (Voir "Sélection des options et ajustements".)
- Utiliser un agent de rinçage pour améliorer le séchage.
- Pour de meilleurs résultats, utiliser les programmes ou les options qui ajoutent un supplément de chaleur au lavage ou à la portion de rinçage du programme.
- Utiliser le lave-vaisselle avec des charges complètes. Utiliser un programme de rinçage après les repas jusqu'à ce que le lave-vaisselle soit plein.
- Si votre domicile est équipé d'un adoucisseur d'eau, vous voudrez peut-être éviter de mettre le lave-vaisselle en marche durant la régénération de l'adoucisseur, laquelle pourrait entraîner une mauvaise performance de lavage.


Programmes de lavage

Choisir le programme de lavage désiré. L'indicateur s'allume au-dessus du programme sélectionné. Appuyer sur le bouton Start/Resume (mise en marche/réinitialisation).

Ce modèle se conforme aux lignes directrices d'efficacité énergétique ENERGY STAR®.

REMARQUE : Veuillez vous référer à "Utilisation du détergent" pour les sections relatives au distributeur de détergent recommandé et aux quantités de détergent en poudre nécessaires.

 Programmes standard - mode d'utilisation (Ces programmes utilisent moins d'énergie et de temps.)					
Description du programme	Heavy (très sale)	Normal	Quick Clean (Lavage rapide)	Light/China (Articles légers/porcelaine)	Rinse (Rinçage)
	Utiliser ce programme pour la vaisselle de tous les jours très sale.	Pour une utilisation optimale de l'énergie, utiliser ce programme pour la vaisselle normalement sale.	Utiliser ce programme pour un lavage rapide et un séchage léger pour nettoyer les ustensiles de cuisson avant une réception. Ce programme utilise une durée de séchage raccourcie. Le séchage avec une serviette peut être nécessaire.	Utiliser ce programme pour les articles en porcelaine et en cristal. Ce programme comprend un lavage léger et un rinçage délicat.	Utiliser ce programme de rinçage pour rincer la vaisselle, les verres et l'argenterie qui ne seront pas lavés immédiatement.
	Prélavage 1 Prélavage 2 Lavage principal à 149°F (65°C) Rinçage 1 Rinçage 2 Rinçage final à 149°F (65°C) Séchage	Prélavage Lavage principal à 131°F (55°C) Rinçage Rinçage final à 131°F (55°C) Séchage	Lavage principal à 113°F (45°C) Rinçage Rinçage final à 113°F (45°C)	Prélavage Lavage principal à 113°F (45°C) Rinçage Rinçage final à 122°F (50°C) Séchage	Prélavage

 Programmes de lavage à température élevée - mode d'utilisation (L'indicateur rouge est allumé lorsque ce programme est sélectionné.)					
Description du programme	Heavy (très sale)	Normal	Quick Clean (Lavage rapide)	Light/China (Articles légers/porcelaine)	Rinse (Rinçage)
	Utiliser ce programme pour la vaisselle de tous les jours très sale et les ustensiles de cuisson difficiles à nettoyer.	Pour de bons résultats de lavage et de séchage, utiliser ce programme pour la vaisselle normalement sale.	Utiliser ce programme pour un lavage rapide et un séchage léger de la vaisselle légèrement sale. Le séchage avec une serviette peut être nécessaire.	Utiliser ce programme pour les articles peu sales en porcelaine et en cristal. Ce programme comprend un lavage léger et un rinçage délicat.	Utiliser ce programme de rinçage pour rincer la vaisselle, les verres et l'argenterie qui ne seront pas lavés immédiatement.
	Prélavage 1 Prélavage 2 Prélavage 3 Lavage principal à 149°F (65°C) Rinçage 1 Rinçage 2 Rinçage final à 163°F (73°C) Séchage	Prélavage 1 Prélavage 2 Lavage principal à 144°F (62°C) Rinçage Rinçage final à 140°F (60°C) Séchage	Prélavage Lavage principal à 131°F (55°C) Rinçage Rinçage final à 122°F (50°C)	Prélavage Lavage principal à 122°F (50°C) Rinçage Rinçage final à 131°F (55°C) Séchage	Prélavage

REMARQUE : Les durées de lavage peuvent varier en fonction de la température de l'eau entrant dans le lave-vaisselle, le type de charge, et si le tiroir a été ouvert pendant le lavage.

Annulation d'un programme

Pour mettre fin à un programme de lavage en cours de programme, appuyer sur le bouton Power (mise sous tension).



L'eau se trouvant dans le tiroir sera aspirée.

Marquer une pause dans le programme

Pour mettre le tiroir en pause pendant son programme de lavage, appuyer sur START/RESUME (mise en marche/réinitialisation) et attendre 3 signaux sonores avant d'ouvrir.



Redémarrer en appuyant sur START/RESUME (mise en marche/réinitialisation).

IMPORTANT : Forcer l'ouverture du tiroir en milieu de programme peut occasionner des dommages au lave-vaisselle.

REMARQUE : Si une panne de courant survient pendant le fonctionnement du tiroir, celui-ci s'arrêtera. Le tiroir ne peut pas être ouvert pendant ce laps de temps. Lorsque l'appareil sera à nouveau mis sous tension, le tiroir reprendra le programme de lavage là où il s'est arrêté.

Changement d'un programme ou réglage

1. Appuyer sur le bouton Power (mise sous tension) pour mettre fin au programme en cours. Attendre que le tiroir se vide.



2. À la fin de la vidange, ouvrir le tiroir.
3. Appuyer sur le bouton du programme de lavage désiré pour sélectionner le programme de lavage souhaité. Les témoins lumineux vont évoluer jusqu'à ce que le programme désiré soit sélectionné.



OU



4. Examiner les distributeurs de détergent. Ils doivent être convenablement remplis pour le nouveau programme. (Voir "Utilisation du détergent".)
5. Fermer le tiroir.
6. Appuyer sur START/RESUME (mise en marche/réinitialisation).



Ajout de vaisselle durant un programme

On peut ajouter un article à n'importe quel moment avant le début du lavage principal. Ouvrir le tiroir et vérifier la quantité de détergent. Si le détergent est encore visible, on peut ajouter des articles.

Pour ajouter des articles

1. Appuyer sur START/RESUME (mise en marche/réinitialisation) et attendre 3 signaux sonores avant d'ouvrir le tiroir.



2. Si le détergent est encore visible dans le distributeur de détergent, on peut ajouter l'article.
3. Fermer le tiroir fermement.
4. Redémarrer en appuyant sur START/RESUME (mise en marche/réinitialisation).

IMPORTANT : Forcer l'ouverture du tiroir en milieu de programme peut occasionner des dommages au lave-vaisselle.

Sélection des options et ajustements

Après avoir utilisé le lave-vaisselle, vous pouvez vouloir utiliser ou ajuster certaines des options préétablies disponibles pour les adapter à vos besoins. On peut sélectionner le bouton Lock (verrouillage), Control Lock (verrouillage des commandes), Keylock (verrou de sécurité) ou le programme Delay Start (mise en marche différée). On peut ajuster les réglages pour l'agent de rinçage, l'allumage automatique et les signaux sonores de fin de programme de lavage.

REMARQUE : Les couleurs des témoins lumineux varient en fonction du lave-vaisselle. Voir les descriptions suivantes.

Bouton de verrouillage

Le bouton de verrouillage active/désactive le verrouillage des commandes ou les fonctions du verrou de sécurité.

Utiliser le bouton de verrouillage pour empêcher une utilisation non intentionnelle du lave-vaisselle. On peut aussi utiliser l'une des options de verrouillage pour empêcher les changements non intentionnels de programme ou d'option pendant un programme.



Verrouillage des commandes

- La caractéristique Control Lock (verrouillage des commandes) désactive tous les boutons du lave-vaisselle.
 1. Pour activer, appuyer sur le bouton de verrouillage jusqu'à ce que l'on entende un signal sonore (environ 3 secondes).
 2. Pour annuler, appuyer sur le bouton de verrouillage jusqu'à ce que la lumière disparaisse.

Verrou de sécurité

- La caractéristique Keylock (verrou de sécurité) verrouille le tiroir et désactive le lave-vaisselle ainsi que l'ensemble des boutons.
 1. Pour activer, appuyer sur le bouton de verrouillage jusqu'à ce que l'on entende les deux signaux sonores (environ 5 secondes).
 2. Pour annuler, appuyer sur le bouton de verrouillage jusqu'à ce que la lumière disparaisse.

Mode de mise en marche différée

La mise en marche du programme de lavage sélectionné peut être différée de 1 à 12 heures.

Pour activer la mise en marche différée

1. Appuyer sans relâcher sur le bouton Start/Resume (mise en marche/réinitialisation) jusqu'à ce que la lumière du dessus devienne orange ou couleur lavande selon le modèle.



2. Le lave-vaisselle fera entendre un signal sonore lorsqu'on appuie sur le bouton. Chaque "signal sonore" correspond à un délai d'une heure, donc pour chaque signal sonore lorsqu'on appuie sur le bouton, un délai additionnel d'une heure sera programmé jusqu'à ce que l'heure différée désirée soit atteinte.
3. S'assurer que le tiroir est fermé.
4. Le lave-vaisselle démarrera une fois que le délai sera écoulé.

Pour annuler la mise en marche différée

1. Appuyer sur le bouton Power (mise sous tension) pour éteindre le lave-vaisselle ou sur le bouton Start/Resume (mise en marche/réinitialisation) jusqu'à ce que la lumière devienne verte ou bleue (selon le modèle).



Mise sous tension

OU



Mise en marche/réinitialisation

Pour entrer dans le mode d'ajustement des options

1. Appuyer sur le bouton Power (mise sous tension) pour allumer le lave-vaisselle en mode de fonctionnement normal.
2. Appuyer simultanément sur les boutons HI TEMP et Lock (verrouillage) pendant 5 secondes. Lorsqu'on a appuyé correctement sur les boutons, un long signal sonore se fait entendre et le témoin Start/Resume (mise en marche/réinitialisation) devient rouge.
3. Relâcher les boutons HI TEMP et lock.
4. Utiliser les boutons appropriés sur le panneau de commande pour faire les ajustements nécessaires. Ceux-ci sont expliqués ci-dessous.
5. Une fois que les changements ont été effectués, appuyer sur le bouton Power (mise sous tension) pour revenir au mode de fonctionnement normal.

REMARQUE : Le lave-vaisselle conserve automatiquement ces changements.

Pour ajuster le réglage de l'agent de rinçage

REMARQUE : Si un excès de mousse est observé à la fin du lavage, diminuer le réglage du distributeur d'agent de rinçage. Si la vaisselle est mouillée ou comporte des traînées après le séchage, augmenter le réglage du distributeur d'agent de rinçage. (Voir "Quantité d'agent de rinçage à utiliser" dans la section "Distributeur d'agent de rinçage".)

1. Entrer dans le mode d'ajustement des options tel qu'expliqué précédemment. La lumière au-dessus du bouton Start/Resume (mise en marche/réinitialisation) est rouge pour indiquer que ce réglage a été choisi.
2. Le réglage actuel de l'agent de rinçage est indiqué sur le panneau indicateur du programme de lavage. Le nombre de lumières rouges sur le panneau montre quel est le réglage actuel de l'agent de rinçage. Par exemple, si 4 lumières rouges sont allumées sur le panneau, le réglage de l'agent de rinçage est alors à 4.



Exemple de réglage de l'agent de rinçage à 4.

3. Appuyer sur le bouton de verrouillage pour augmenter ou diminuer le réglage de l'agent de rinçage, les lumières rouges vont défiler jusqu'à 5 puis repartir de 1 à nouveau.
4. Une fois que le réglage de l'agent de rinçage a été sélectionné, appuyer sur le bouton Power (mise sous tension) pour revenir au mode de fonctionnement normal.

Pour enlever le réglage Auto Power (mise sous tension automatique)

Lorsque le lave-vaisselle quitte l'usine, il est programmé pour se mettre automatiquement sous tension dès que le tiroir est ouvert, même si le bouton de mise sous tension n'a pas été appuyé. Le lave-vaisselle ne démarrera pas le lavage tant que le tiroir ne sera pas fermé et que l'on n'aura pas appuyé sur Start/Resume (mise en marche/réinitialisation). Si on ne veut pas que le lave-vaisselle se mette automatiquement sous tension, cette caractéristique peut être désactivée.

1. Entrer dans le mode d'ajustement des options tel qu'expliqué au début de cette section.
2. Appuyer sur le bouton Start/Resume (mise en marche/réinitialisation) jusqu'à ce que la lumière au-dessus soit orange ou couleur lavande (en fonction du modèle), et que la lumière au-dessus du bouton HI TEMP soit rouge. Si ce n'est pas le cas, appuyer sur le bouton Power (mise sous tension) pour revenir au mode de fonctionnement normal et recommencer.
3. Appuyer sur le bouton de verrouillage pour activer ou désactiver la caractéristique Auto Power (mise sous tension automatique). Si toutes les lumières rouges sur le panneau du programme de lavage sont éteintes, alors la caractéristique Auto Power (mise sous tension automatique) a été désactivée.
4. Appuyer sur le bouton Power (mise sous tension) pour revenir au mode de fonctionnement normal.

Mise sous tension automatique activée



Mise sous tension automatique désactivée



Pour supprimer les signaux sonores du programme "End of Wash" (fin du lavage)

Le lave-vaisselle a été programmé à l'usine pour émettre 6 signaux sonores à la fin du programme de lavage sélectionné. Cette caractéristique peut être désactivée.

1. Entrer dans le mode d'ajustement des options tel qu'expliqué au début de cette section.
2. Appuyer sur le bouton Start/Resume (mise en marche/réinitialisation) jusqu'à ce que la lumière au-dessus soit verte ou bleue (en fonction du modèle), et que la lumière HI TEMP soit rouge. Si ce n'est pas le cas, appuyer sur POWER (mise sous tension) pour redémarrer.
3. Appuyer sur le bouton de verrouillage pour activer/désactiver les signaux sonores du programme "Fin de lavage". Les signaux sonores du programme "Fin de lavage" ont été désactivés si toutes les lumières rouges sont éteintes sur le panneau du programme de lavage.
4. Appuyer sur le bouton Power (mise sous tension) pour revenir au mode de fonctionnement normal.

Signaux sonores activés



Signaux sonores désactivés



LAVAGE D'ARTICLES SPÉCIAUX

En cas de doute au sujet du lavage d'un article particulier, consulter le fabricant pour déterminer si l'article est lavable au lave-vaisselle.

Matériau	Lavable au lave-vaisselle?/ Commentaires
Aluminium	Oui L'eau chaude et les détergents peuvent affecter le fini de l'aluminium anodisé.
Aluminium jetable	Non Ne pas laver les plats d'aluminium jetables au lave-vaisselle. Ils risquent de se déplacer durant le lavage et de transférer des marques noires à la vaisselle et à d'autres articles.
Bouteilles et cannettes	Non Laver manuellement les bouteilles et cannettes. Les étiquettes peuvent se détacher dans le lave-vaisselle et obstruer les orifices des bras d'aspersion ou la pompe, et réduire la performance de lavage.
Fonte	Non La patine sera éliminée et la fonte rouillera.
Porcelaine/grès	Oui Consulter toujours les recommandations du fabricant avant le lavage. La décoration des articles d'antiquité, peints à la main ou l'émaillage peut se détériorer. Les dorures peuvent se dissiper ou changer de couleur.
Cristal	Oui Consulter toujours les recommandations du fabricant avant le lavage. Après plusieurs lavages, la solution de détergent peut attaquer certains types de cristal au plomb.
Or	Non Les couverts dorés subiront un changement de couleur.
Verre	Oui Le verre opaque jaunit après de nombreux lavages au lave-vaisselle.

Matériau	Lavable au lave-vaisselle?/ Commentaires
Coutellerie à manche creux	Non Les manches de certains couteaux sont fixés à la lame au moyen d'un adhésif qui peut se dégager lors du lavage au lave-vaisselle.
Étain, laiton, bronze	Non L'eau chaude et les détergents peuvent modifier la couleur et le fini.
Plastiques jetables	Non Ce matériau ne peut résister aux effets de l'eau chaude et des détergents.
Plastiques	Oui Consulter toujours les recommandations du fabricant avant le lavage. La résistance des articles de plastique à l'eau chaude et aux détergents est variable.
Acier inoxydable	Oui Si le lavage n'est pas effectué immédiatement, exécuter un programme de rinçage rapide. Le contact prolongé avec des résidus alimentaires contenant sel, vinaigre, produits laitiers ou jus de fruit peut endommager le fini.
Argent sterling ou plaqué	Oui Si le lavage n'est pas effectué immédiatement, exécuter un programme de rinçage rapide. Le contact prolongé avec des résidus alimentaires contenant sel, acide ou sulfide (oeufs, mayonnaise et fruits de mer) peut endommager le fini.
Fer blanc	Non Possibilité de rouille.
Ustensiles en bois	Non Laver manuellement. Consulter toujours les recommandations du fabricant avant le lavage. Le bois non traité peut se déformer, se fissurer ou perdre son fini.

ENTRETIEN DU LAVE-VAISSELLE

Nettoyage

Nettoyage de l'extérieur

Dans la plupart des cas, il suffit d'utiliser un linge doux, humide ou une éponge et un détergent doux pour nettoyer les surfaces extérieures du lave-vaisselle et préserver son aspect de produit neuf. Sécher avec un linge propre et sans charpie.

Nettoyage de l'intérieur

Les minéraux de l'eau dure peuvent générer un film blanc sur les surfaces intérieures.

Ne pas nettoyer les surfaces internes du lave-vaisselle avant qu'elles aient refroidi. Vous voudrez peut-être porter des gants en caoutchouc. Ne pas utiliser un produit de nettoyage autre que le détergent pour lave-vaisselle car cela pourrait provoquer un excès de mousse.

Nettoyage des surfaces internes

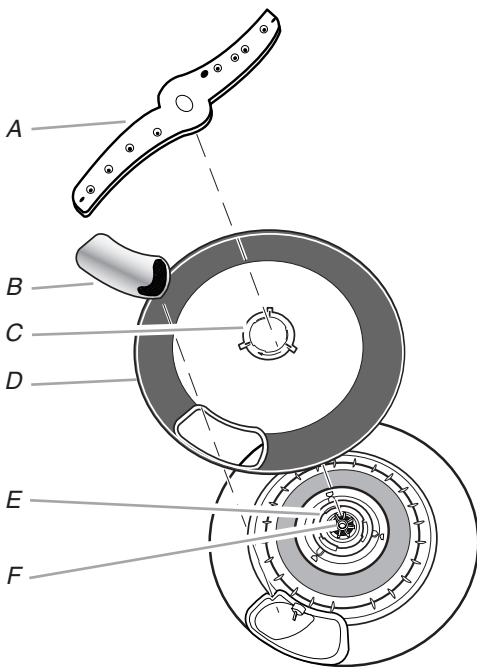
Faire une pâte avec un détergent pour lave-vaisselle en poudre sur une éponge humide et nettoyer.

OU

Voir la méthode de rinçage au vinaigre à la section "Taches et films sur la vaisselle" à "Dépannage."

REMARQUE : Effectuer un programme de lavage normal avec détergent après avoir nettoyé l'intérieur.

Nettoyage du bras d'aspersion, du filtre d'évacuation et de la plaque de filtration



A. Bras d'aspersion
B. Filtre d'évacuation
C. Bague externe
D. Plaque de filtration
E. Bague centrale
F. Impulseur

Nettoyage du bras d'aspersion

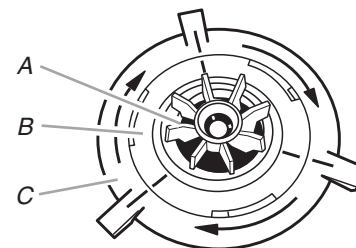
1. Enlever délicatement la base du panier. Soulever d'abord par l'extérieur arrière pour ne pas heurter les distributeurs de détergent et d'agent de rinçage.
2. Soulever le bras d'aspersion; secouer pour détacher toute matière étrangère.
3. Rincer le bras d'aspersion sous le robinet d'eau courante et essuyer avec un chiffon humide.
4. Réinstaller le bras d'aspersion sur l'impulseur.

Nettoyage du filtre d'évacuation

1. Si la base du panier est en place, soulever/enlever le panneau d'accès au filtre d'évacuation situé sous le panier à couverts.
2. Soulever/enlever le filtre d'évacuation pour le sortir du tiroir.
3. Vider le filtre d'évacuation; rincer sous le robinet d'eau courante propre; remettre le filtre en place.
4. Veiller à ce que le filtre d'évacuation soit en affleurement avec la plaque de filtration.

Nettoyage de la plaque de filtration

1. Vérifier que le lave-vaisselle a refroidi avant d'entreprendre le nettoyage de la plaque de filtration; exécuter les instructions de dépose du bras d'aspersion et du filtre d'évacuation.
2. Il y a deux bagues au centre de la plaque de filtration; une bague externe et une bague centrale. Maintenir la bague centrale immobile et faire tourner la bague externe dans le sens antihoraire d'environ $\frac{1}{8}$ de tour pour aligner les encoches et onglets. Il sera ainsi possible de retirer la plaque de filtration.



A. Impulseur
B. Bague centrale
C. Bague externe

Positionnement correct de la plaque de filtration par rapport au moteur

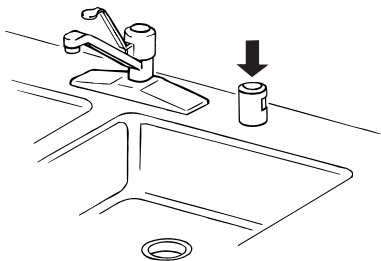
3. Soulever/enlever la plaque de filtration. Éliminer toute accumulation de saleté; laver la plaque dans de l'eau savonneuse chaude et rincer parfaitement à l'eau propre. Le fond du tiroir peut être nettoyé avec un chiffon humide.
4. Réinstaller la plaque de filtration – elle doit reposer à plat dans la base du tiroir.
5. Aligner la bague externe – veiller à l'alignement onglets/encoches avec la bague centrale.
6. Pour immobiliser la plaque de filtration, maintenir la bague centrale tout en faisant tourner la bague externe dans le sens horaire – aligner les lignes de repérage des deux bagues. (Voir illustration ci-dessus.)
7. Lorsque l'installation est correctement effectuée, on ne doit pas pouvoir faire bouger la plaque de filtration.

IMPORTANT : Pour une utilisation optimale du tiroir, il faut que la plaque de filtration, le filtre d'évacuation et le bras d'aspersion soient correctement installés.

Dispositif anti-refoulement

Vérifier le dispositif anti-refoulement lorsque votre lave-vaisselle ne se vidange pas bien.

Certains codes de plomberie provinciaux ou locaux exigent l'installation d'un dispositif anti-refoulement entre un lave-vaisselle encastré et le système de canalisation du domicile. En cas d'obstruction d'une canalisation, le dispositif anti-refoulement protège votre lave-vaisselle contre le refoulement de l'eau.



Le dispositif anti-refoulement se trouve habituellement sur le dessus de l'évier ou du comptoir près du lave-vaisselle. Pour commander un dispositif anti-refoulement, contacter le marchand local, nous contacter ou appeler le centre de service désigné le plus proche et demander la pièce numéro 300096. Pour plus de renseignements, voir "Assistance ou service".

REMARQUE : Le dispositif anti-refoulement est un article de plomberie externe qui ne fait pas partie de votre lave-vaisselle. La garantie fournie avec votre lave-vaisselle ne couvre pas les coûts de service directement associés au nettoyage ou à la réparation d'un dispositif anti-refoulement externe.

Nettoyage du dispositif anti-refoulement

Nettoyer le dispositif anti-refoulement périodiquement pour assurer la vidange adéquate de votre lave-vaisselle. Suivre les instructions de nettoyage fournies par le fabricant. Pour la plupart des types, il suffit de soulever le couvercle chromé, de dévisser le capuchon de plastique, puis de vérifier s'il y a une accumulation de saleté. Nettoyer au besoin.

Remisage

Remisage pour l'été

Protéger le lave-vaisselle au cours des mois d'été en fermant l'approvisionnement d'eau et en déconnectant le lave-vaisselle de l'alimentation électrique.

Hivernisation du lave-vaisselle

Protéger le lave-vaisselle et le domicile contre les dommages par l'eau, attribuables au gel des conduits d'eau. Si le lave-vaisselle est laissé dans une résidence saisonnière ou risque d'être exposé à des températures près du degré de congélation, faites hiverner le lave-vaisselle par un technicien de service agréé.

DÉPANNAGE

Essayer d'abord les solutions suggérées ici, ce qui vous évitera peut-être le coût d'une visite de service...

Le lave-vaisselle ne fonctionne pas correctement

■ Le lave-vaisselle ne fonctionne pas ou s'arrête au cours d'un programme

Le tiroir est-il bien fermé?

A-t-on sélectionné le bon programme de lavage? Se référer à "Programmes de lavage".

Le lave-vaisselle est-il alimenté par le courant électrique? Un fusible est-il grillé ou un disjoncteur s'est-il déclenché? Remplacer le fusible ou réenclencher le disjoncteur. Si le problème persiste, appeler un électricien.

Un code d'erreur est-il indiqué? (Voir "Codes d'erreur".)

■ Le lave-vaisselle ne se remplit pas

Le robinet d'arrêt (le cas échéant) est-il ouvert?

■ La durée d'exécution du programme semble être trop longue

L'eau fournie au lave-vaisselle est-elle suffisamment chaude? Le tiroir fonctionne plus longtemps durant le chauffage de l'eau. Se référer à "Conseils d'efficacité".

Une période d'attente s'ajoute automatiquement dans certains programmes de lavage et de rinçage jusqu'à ce que l'eau atteigne la température appropriée.

■ Résidus d'eau dans le lave-vaisselle

Le programme est-il terminé? Il restera une petite quantité d'eau dans la zone du filtre de vidange.

■ Excès d'eau dans le lave-vaisselle

Les filtres de vidange sont-ils bloqués? Nettoyer le filtre d'évacuation et la plaque de filtration. (Voir "Nettoyage".)

Le tuyau de vidange est-il plié ou déformé? Redresser ou débloquer les tuyaux. (Voir "Codes d'erreur".)

■ Odeur dans le lave-vaisselle

La vaisselle est-elle lavée seulement tous les 2 ou 3 jours? Exécuter un programme de rinçage une ou deux fois par jour jusqu'à ce qu'une charge complète soit accumulée.

Y a-t-il une odeur de plastique neuf dans le tiroir? Effectuer un rinçage avec du vinaigre selon la description dans "Taches et films sur la vaisselle".

La vaisselle n'est pas complètement nettoyée

■ Résidus de produits alimentaires sur la vaisselle

La vaisselle est-elle chargée correctement? Dans le cas contraire, elle peut bloquer la rotation du bras d'aspersion. Se référer à "Chargement du lave-vaisselle".

Le bras d'aspersion tourne-t-il librement? Vérifier pour s'assurer que des articles n'obstruent pas la trajectoire du bras d'aspersion.

Les trous du bras d'aspersion sont-ils bloqués? Nettoyer le bras d'aspersion. Voir "Nettoyage du bras d'aspersion, du filtre d'évacuation et de la plaque de filtration" dans la section "Nettoyage".

Le filtre d'évacuation et la plaque de filtration sont-ils propres et installés correctement? Voir "Nettoyage du bras d'aspersion, du filtre d'évacuation et de la plaque de filtration" dans la section "Nettoyage".

La base du panier est-elle correctement installée? Se référer à "Chargement du panier".

La température de l'eau est-elle trop basse? Pour obtenir de meilleurs résultats de lavage, l'eau doit être à 120°F (49°C) à son entrée dans le lave-vaisselle. Se référer à "Conseils d'efficacité".

A-t-on choisi le bon programme? Se référer à "Programmes de lavage".

A-t-on utilisé la bonne quantité de détergent frais? Utiliser uniquement les détergents recommandés pour lave-vaisselle. Se référer à "Utilisation du détergent". Ne pas employer moins d'une c. à thé (5 mL) par charge. Pour qu'il soit efficace, il faut que le détergent soit frais. Remiser le détergent dans un endroit frais et sec. Une vaisselle très sale et/ou une eau dure nécessitent généralement un supplément de détergent.

La pompe ou le bras d'aspersion est-elle/il obstrué(e) par des étiquettes de bouteilles et de cannettes?

La pression d'eau du domicile est-elle suffisamment élevée pour un remplissage convenable du lave-vaisselle? La pression d'eau du domicile doit être de 20 à 120 lb/po² (138 à 828 kPa) pour un remplissage convenable du lave-vaisselle. Si vous avez des questions au sujet de la pression de votre eau, appeler un plombier qualifié agréé.

Une accumulation de mousse ralentit-elle le bras d'aspersion? Ne pas utiliser de savon ou de détergent à lessive. Utiliser uniquement les détergents en poudre recommandés pour lave-vaisselle.

Présence de taches sur la vaisselle

■ Taches et films sur la vaisselle

L'eau est-elle dure ou contient-elle une concentration élevée de minéraux? Le conditionnement de l'eau de rinçage final avec un agent de rinçage liquide favorise l'élimination des taches et films. Veiller à ce que le distributeur d'agent de rinçage soit rempli.

La température de l'eau est-elle trop basse? Pour obtenir de meilleurs résultats de lavage, l'eau doit être à 120°F (49°C) à son entrée dans le lave-vaisselle. Se référer à "Conseils d'efficacité".

A-t-on utilisé la bonne quantité de détergent frais? Utiliser uniquement les détergents en poudre recommandés pour lave-vaisselle. Se référer à "Utilisation du détergent". Ne pas employer moins d'une c. à thé (5 mL) par charge. Pour qu'il soit efficace, il faut que le détergent soit frais. Remiser le détergent dans un endroit frais et sec. Une vaisselle très sale et/ou une eau dure nécessitent généralement un supplément de détergent.

La pression d'eau du domicile est-elle suffisamment élevée pour un remplissage convenable du lave-vaisselle? La pression d'eau du domicile doit être de 20 à 120 lb/po² (138 à 828 kPa) pour un remplissage convenable du tiroir. Si vous avez des questions au sujet de la pression de votre eau, appeler un plombier qualifié agréé.

REMARQUE : Pour éliminer les taches et films sur la vaisselle, essayer un rinçage avec de l'eau vinaigrée. Cette méthode ne doit être utilisée qu'occasionnellement. Le vinaigre est un acide et son utilisation trop fréquente pourrait endommager le tiroir.

1. Laver et rincer la vaisselle. Enlever tous les couverts ou articles métalliques.
2. Ajouter 1 tasse (250 mL) de vinaigre blanc dans un verre ou une tasse à mesurer lavable au lave-vaisselle dans le panier.
3. Faire exécuter au lave-vaisselle un programme de lavage complet. Ne pas utiliser de détergent. Le vinaigre se mélangera à l'eau de lavage.

■ **Film de silice ou attaque (le film de silice est un dépôt blanc irisé; l'attaque produit l'apparence d'un film translucide)**

Il y a parfois une réaction chimique de l'eau avec certains types de verres. Ceci est habituellement imputable à certaines combinaisons d'eau douce ou adoucie, solution de lavage alcaline, rinçage insuffisant, chargement excessif du tiroir, et à la chaleur de séchage. Il peut être impossible d'éviter le problème, sauf en lavant les articles à la main.

Pour ralentir ce processus, utiliser la quantité minimale de détergent en poudre, mais pas moins d'une c. à thé (5 mL) par charge. Utiliser un agent de rinçage liquide, et ne pas trop charger le tiroir pour permettre un rinçage à fond. Il n'est pas possible d'éliminer le film de silice ou l'effet de l'attaque chimique qui demeurent en permanence.

■ **Taches blanches sur les ustensiles de cuisson à revêtement anti-adhésif**

Le détergent du lave-vaisselle a-t-il éliminé la patine? Générer une nouvelle patine après le lavage dans le tiroir.

■ **Taches marron sur la vaisselle et les surfaces internes du tiroir**

L'eau comporte-t-elle une concentration élevée en fer? Laver de nouveau la vaisselle après avoir versé 1 à 3 c. à thé (5 à 15 mL) de cristaux d'acide citrique dans le distributeur de détergent de la section lavage principal. Ne pas utiliser de détergent. Exécuter ensuite un programme de lavage Normal avec détergent. Si ce traitement est nécessaire plus fréquemment qu'à intervalles de deux mois, on recommande l'installation d'un dispositif d'élimination du fer.

■ **Marques noires ou grises sur la vaisselle**

Des articles en aluminium frottent-ils contre la vaisselle durant le lavage? Les articles en aluminium jetables peuvent se briser dans le lave-vaisselle et causer des marques. Laver ces articles à la main. Pour éliminer les marques d'aluminium, employer un produit de nettoyage moyennement abrasif.

■ **Taches orange sur les articles de plastique ou les surfaces internes du lave-vaisselle**

Place-t-on dans le lave-vaisselle de la vaisselle sur laquelle il y a une quantité considérable de résidus alimentaires à base de tomates? Il peut être nécessaire d'utiliser un détachant pour enlever les taches du lave-vaisselle. Les taches n'affectent pas la performance du lave-vaisselle.

La vaisselle n'est pas complètement sèche

■ **La vaisselle n'est pas sèche**

Le tiroir a-t-il été chargé de manière à permettre un drainage adéquat de l'eau? Ne pas charger excessivement. Se référer à "Chargement du lave-vaisselle". Utiliser un agent de rinçage liquide pour accélérer le séchage. Il est peut être nécessaire d'ajuster le réglage de l'agent de rinçage. (Voir "Sélection des options et ajustements".)

Les articles de plastique sont-ils humides? Il est souvent nécessaire de sécher les articles de plastique avec une serviette.

Le distributeur d'agent de rinçage est-il vide? Se référer à la section "Distributeur d'agent de rinçage".

La vaisselle est endommagée au cours d'un programme

■ **Écaillage de la vaisselle**

A-t-on chargé le lave-vaisselle correctement? Charger la vaisselle et les verres de telle manière qu'ils soient stables et qu'ils ne s'entrechoquent pas lors du lavage.

REMARQUE : Les antiquités, le cristal très mince et certains types de faïence et de verre peuvent être trop délicats pour le lavage automatique. Laver manuellement.

Bruit excessif de la pompe

- Le plateau drainant et/ou le bras d'aspersion sont-ils placés correctement?
- Y a-t-il de l'eau dans la zone de la pompe? Ceci est normal lors de la première utilisation ou lorsque le lave-vaisselle n'a pas été utilisé pendant de longues périodes. Faire exécuter au tiroir un programme de lavage.

Fuite d'eau

- Le tuyau de drainage est-il déconnecté du tuyau d'évacuation? Reconnecter le tuyau de vidange au tuyau d'évacuation.
- Le tuyau d'alimentation fourni est-il correctement connecté? S'assurer que le tuyau d'alimentation est solidement connecté.
- Y a-t-il d'autres fuites? Couper l'arrivée d'eau et l'alimentation électrique du lave-vaisselle. Contacter un agent de service agréé. (Voir "Assistance ou service".)

Le lave-vaisselle ne s'ouvre pas

- L'option de verrou de sécurité est-elle sélectionnée? Désactiver le verrouillage. Appuyer sur le bouton Lock (verrouillage) jusqu'à ce que la lumière verte disparaisse et/ou appuyer sur le bouton Power (mise sous tension) pour ouvrir le tiroir. Se référer à "Sélection des options et ajustements".

Signal sonore intermittent

- Le lave-vaisselle est en mode de pause. Fermer le tiroir et appuyer sur le bouton Start/Resume (mise en marche/réinitialisation).

Signal sonore continu

- Une panne s'est produite. (Voir "Codes d'erreur".)







Codes d'erreur

Comment reconnaître un code d'erreur

Lorsqu'une panne de courant est survenue, le lave-vaisselle émet un signal sonore toutes les secondes et le témoin lumineux Start/Resume (mise en marche/réinitialisation) devient rouge. Le code d'erreur sera affiché avec les témoins lumineux rouges sur le panneau du programme de lavage. (Pour des pannes spécifiques, voir les illustrations ci-dessous.)

Pour solutionner une panne

1. Appuyer sur le bouton Power (mise sous tension) pour effacer le code d'erreur.
2. Si le code d'erreur et les signaux sonores continus ne peuvent être enlevés en appuyant sur POWER, couper l'alimentation électrique.
3. Consulter le tableau ci-dessous et mettre fin à la panne lorsque c'est possible.
4. Après vous être occupé de la panne, reconnecter le lave-vaisselle à la source de courant électrique.
5. Si le code d'erreur et les signaux sonores continus persistent, fermer l'arrivée d'eau et déconnecter le lave-vaisselle de la source de courant électrique.
6. Appeler le centre de service agréé. (Voir "Assistance ou service".) Communiquer au technicien le code d'erreur qu'affiche le lave-vaisselle.

Codes d'erreur	Causes possibles	Que faire
	Le dispositif anti-débordement a été activé.	Couper l'arrivée d'eau et déconnecter le lave-vaisselle de la source de courant électrique et appeler le centre de service agréé.
	Problème de moteur.	Appeler le centre de service agréé.
	Panne du détecteur de température.	S'assurer que l'eau entrant par le tuyau d'alimentation n'est pas à une température supérieure à 149°F (65°C). (Se référer à "Contrôle de la température de l'eau" dans la section "Conseils pour l'efficacité".) Appeler le centre de service agréé.
	Panne du détecteur de température ou d'un élément.	Appeler le centre de service agréé.
	Dysfonctionnement électronique.	Appeler le centre de service agréé.
	Problème de remplissage.	<ul style="list-style-type: none"> ■ Ouvrir l'alimentation en eau du lave-vaisselle. ■ S'assurer que le bras d'aspersion peut effectuer librement sa rotation autour du centre. Si le lave-vaisselle est rempli d'eau, il devra être vidé manuellement.

Si vous avez des questions concernant le fonctionnement du produit, veuillez contacter le Centre d'interaction avec la clientèle. (Voir "Assistance ou service".)

ASSISTANCE OU SERVICE

Avant de demander une assistance ou un service, veuillez vérifier la section "Dépannage". Cette vérification peut vous faire économiser le coût d'une visite de réparation. Si vous avez encore besoin d'aide, suivre les instructions ci-dessous.

Lors d'un appel, veuillez connaître la date d'achat et les numéros au complet de modèle et de série de votre appareil. Ces renseignements nous aideront à mieux répondre à votre demande.

Si vous avez besoin de pièces de rechange

Si vous avez besoin de commander des pièces de rechange, nous vous recommandons d'utiliser seulement les pièces spécifiées par l'usine. Ces pièces de rechange conviendront et fonctionneront bien parce qu'elles sont fabriquées selon les mêmes spécifications précises utilisées pour construire chaque nouvel appareil KITCHENAID®.

Pour localiser les pièces spécifiées par l'usine dans votre région, nous appeler ou téléphoner au centre de service désigné le plus proche.

Pour l'assistance

Téléphoner sans frais au Centre d'interaction avec la clientèle de KitchenAid Canada au : **1-800-807-6777**.

Nos consultants fournissent de l'assistance pour :

- Caractéristiques et spécifications de notre gamme complète d'appareils électroménagers.
- Renseignements sur la garantie.
- Utilisation et consignes d'entretien.
- Ventes d'accessoires et pièces de rechange.
- Références aux marchands locaux, aux distributeurs de pièces de rechange et aux compagnies de service. Les techniciens de service désignés par KitchenAid sont formés pour remplir la garantie des produits et fournir un service après garantie partout au Canada.

Pour plus d'assistance

Si vous avez besoin de plus d'assistance, vous pouvez nous écrire en soumettant toute question ou préoccupation au :

KitchenAid Canada
Centre d'interaction avec la clientèle
1901 Minnesota Court
Mississauga, Ontario L5N 3A7

Dans votre correspondance, veuillez indiquer un numéro de téléphone où l'on peut vous joindre dans la journée.

GARANTIE DU LAVE-VAISSELLE KITCHENAID®

GARANTIE LIMITÉE DE DEUX ANS

Pendant deux ans à compter de la date d'achat, lorsque ce gros appareil ménager est utilisé et entretenu conformément aux instructions jointes à ou fournies avec le produit, KitchenAid ou KitchenAid Canada (ci-après désignées "KitchenAid") paiera pour les pièces spécifiées par l'usine et la main-d'œuvre pour corriger les vices de matériaux ou de fabrication. Le service doit être fourni par une compagnie de service désignée par KitchenAid.

GARANTIE LIMITÉE DE LA TROISIÈME À LA CINQUIÈME ANNÉE INCLUSIVEMENT SUR CERTAINS COMPOSANTS

De la troisième à la cinquième année inclusivement à compter de la date d'achat, lorsque votre gros appareil ménager est installé, utilisé et entretenu conformément aux instructions jointes à ou fournies avec le produit, KitchenAid paiera pour les pièces spécifiées par l'usine pour les composants suivants, en cas de vices de matériaux ou de fabrication : les paniers à vaisselle supérieur et inférieur (en nylon), les tablettes en nylon pour tasses et les paniers à couverts.

KITCHENAID NE PRENDRA PAS EN CHARGE

1. Les visites de service pour rectifier l'installation du gros appareil ménager, montrer à l'utilisateur comment utiliser l'appareil, remplacer ou réparer des fusibles ou rectifier le câblage ou la plomberie du domicile.
2. Les visites de service pour réparer ou remplacer les ampoules électriques de l'appareil, les filtres à air ou les filtres à eau. Ces pièces consommables ne sont pas couvertes par la garantie.
3. Les réparations lorsque le gros appareil ménager est utilisé à des fins autres que l'usage unifamilial normal.
4. Les dommages imputables à : accident, modification, usage impropre ou abusif, incendie, inondation, actes de Dieu, installation fautive ou installation non conforme aux codes d'électricité ou de plomberie, ou l'utilisation de produits non approuvés par KitchenAid.
5. Le coût des pièces de rechange et de la main-d'œuvre pour les appareils utilisés hors des États-Unis ou du Canada.
6. Le ramassage et la livraison. Ce gros appareil ménager est conçu pour être réparé à domicile.
7. Les réparations aux pièces ou systèmes résultant d'une modification non autorisée faite à l'appareil.
8. Les frais de voyage et de transport pour le service d'un produit dans les régions éloignées.
9. La dépose et la réinstallation de votre appareil si celui-ci est installé dans un endroit inaccessible ou n'est pas installé conformément aux instructions d'installation fournies.

CLAUSE D'EXONÉRATION DE RESPONSABILITÉ AU TITRE DES GARANTIES IMPLICITES; LIMITATION DES RECOURS

LE SEUL ET EXCLUSIF RECOURS DU CLIENT DANS LE CADRE DE LA PRÉSENTE GARANTIE LIMITÉE CONSISTE EN LA RÉPARATION PRÉVUE CI-DESSUS. LES GARANTIES IMPLICITES, Y COMPRIS LES GARANTIES APPLICABLES DE QUALITÉ MARCHANDE ET D'APTITUDE À UN USAGE PARTICULIER, SONT LIMITÉES À UN AN OU À LA PLUS COURTE PÉRIODE AUTORISÉE PAR LA LOI. KITCHENAID N'ASSUME AUCUNE RESPONSABILITÉ POUR LES DOMMAGES FORTUITS OU INDIRECTS. CERTAINES JURIDICTIONS NE PERMETTENT PAS L'EXCLUSION OU LA LIMITATION DES DOMMAGES FORTUITS OU INDIRECTS, OU LES LIMITATIONS DE LA DURÉE DES GARANTIES IMPLICITES DE QUALITÉ MARCHANDE OU D'APTITUDE À UN USAGE PARTICULIER, DE SORTE QUE CES EXCLUSIONS OU LIMITATIONS PEUVENT NE PAS S'APPLIQUER DANS VOTRE CAS. CETTE GARANTIE VOUS CONFÈRE DES DROITS JURIDIQUES SPÉCIFIQUES ET VOUS POUVEZ ÉGALEMENT JOUIR D'AUTRES DROITS QUI PEUVENT VARIER D'UNE JURIDICTION À UNE AUTRE.

À l'extérieur du Canada et des 50 États des États-Unis, cette garantie ne s'applique pas. Contacter votre marchand KitchenAid autorisé pour déterminer si une autre garantie s'applique.

Si vous avez besoin de service, voir d'abord la section "Dépannage" du Guide d'utilisation et d'entretien. Après avoir vérifié la section "Dépannage", de l'aide supplémentaire peut être trouvée en vérifiant la section "Assistance ou service" ou en appelant KitchenAid. Aux É.-U., composer le **1-800-422-1230**. Au Canada, composer le **1-800-807-6777**. 9/05

Conservez ce manuel et votre reçu de vente ensemble pour référence ultérieure. Pour le service sous garantie, vous devez présenter un document prouvant la date d'achat ou d'installation.

Inscrivez les renseignements suivants au sujet de votre gros appareil ménager pour mieux vous aider à obtenir assistance ou service en cas de besoin. Vous devrez connaître le numéro de modèle et le numéro de série au complet. Vous trouverez ces renseignements sur la plaque signalétique située sur le produit.

Nom du marchand _____

Adresse _____

Numéro de téléphone _____

Numéro de modèle _____

Numéro de série _____

Date d'achat _____

528824/8573754

© 2005. All rights reserved.
Tous droits réservés.

® Registered Trademark/TM Trademark of KitchenAid, U.S.A., KitchenAid Canada licensee in Canada
® Marque déposée/TM Marque de commerce de KitchenAid, U.S.A.,
Emploi licencié par KitchenAid Canada au Canada

9/05
Printed in New Zealand
Imprimé en Nouvelle-Zélande