

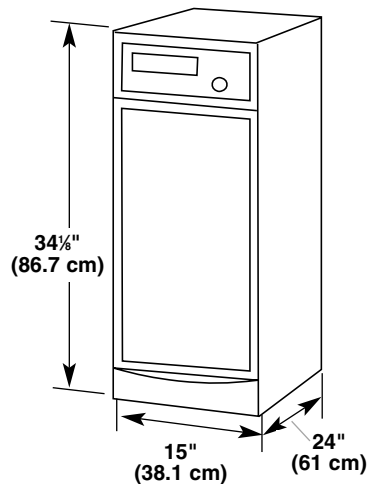
KitchenAid® Compactor

PRODUCT MODEL NUMBERS

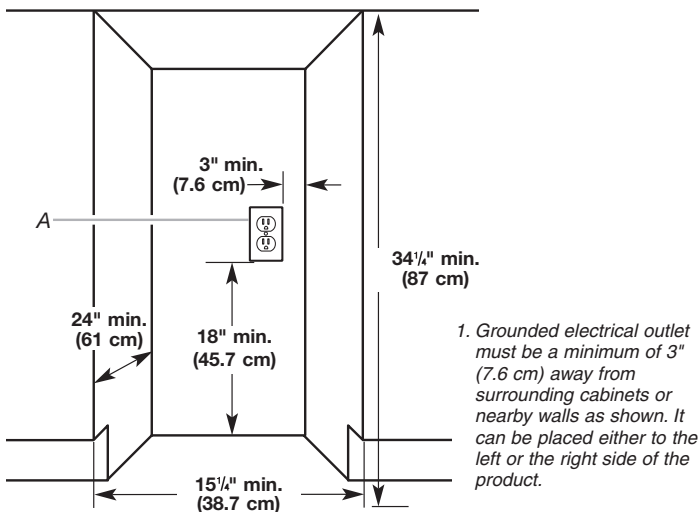
KUCS02FR
KUCV02FR
KUCS03FS

Electrical: 115-volt, 60-Hz, AC-only, 15- or 20-amp grounded circuit is required. A separate circuit is recommended.

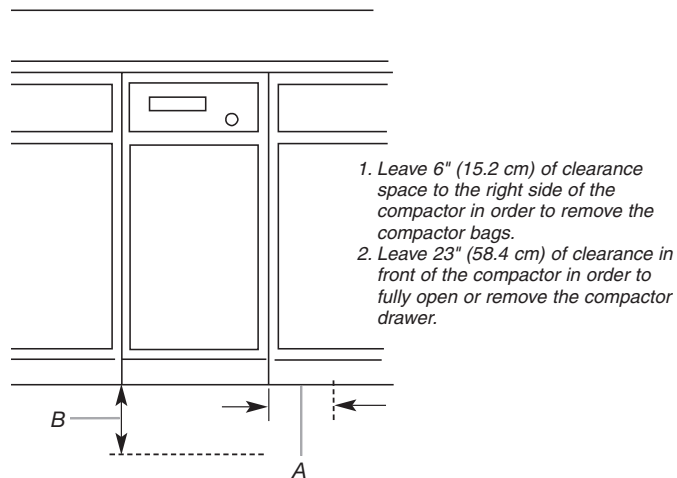
OVERALL DIMENSIONS



CABINET OPENING DIMENSIONS

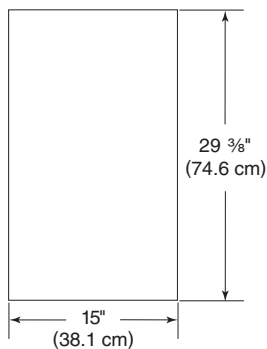


CLEARANCE DIMENSIONS



CUSTOM PANELS

Without Trim Kit



Panel should be a minimum of 1/2" (13 mm) thick.