

# KitchenAid® Bottom Mount Refrigerator

HOME APPLIANCES

## PRODUCT MODEL NUMBERS

KBFC42FT    KBLS36FT  
 KBFO42FT    KBRC36FT  
 KBLC36FT    KBRO36FT  
 KBLO36FT

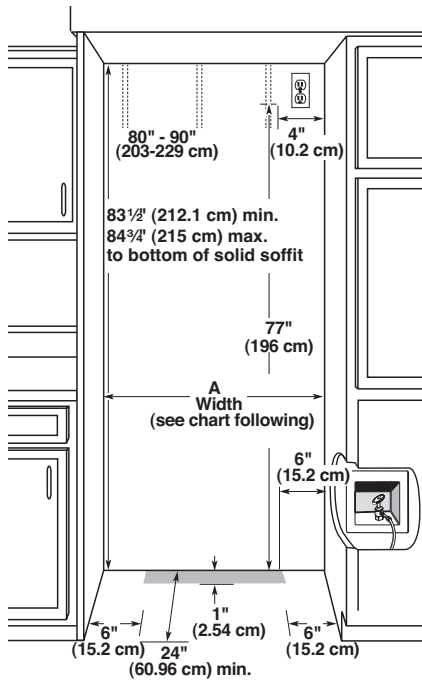
**Electrical:** A 115 Volt, 60 Hz., AC only 15- or 20-amp fused, grounded electrical supply is required. It is recommended that a separate circuit serving only your refrigerator be provided. Use an outlet that cannot be turned off by a switch. Do not use an extension cord.

**Water Supply:** A cold water supply with water pressure of between 30 and 120 psi (207 - 827 kPa) is required to operate the water dispenser and ice maker. If you have questions about your water pressure, call a licensed, qualified plumber.

If a reverse osmosis water filtration system is connected to your cold water supply, the water pressure to the reverse osmosis system needs to be a minimum of 40 to 60 psi (276 - 414 kPa).

Do not install the refrigerator near an oven, radiator, or other heat source, nor in a location where the temperature will fall below 55°F.

## CABINET OPENING DIMENSIONS

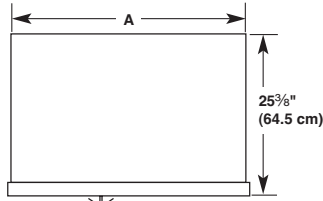


Model	Width A (as shown above)
36	35 1/2" (90.2 cm)
42	41 1/2" (105.4 cm)

**NOTE:** Flooring under refrigerator must be at same level as room.

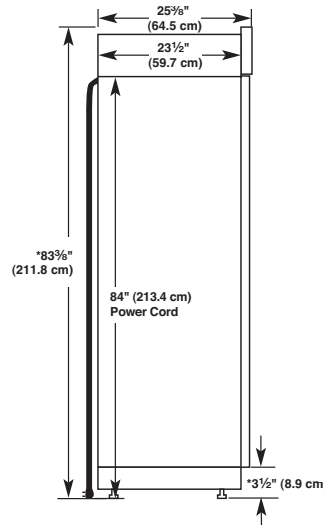
## OVERALL DIMENSIONS

### TOP VIEW



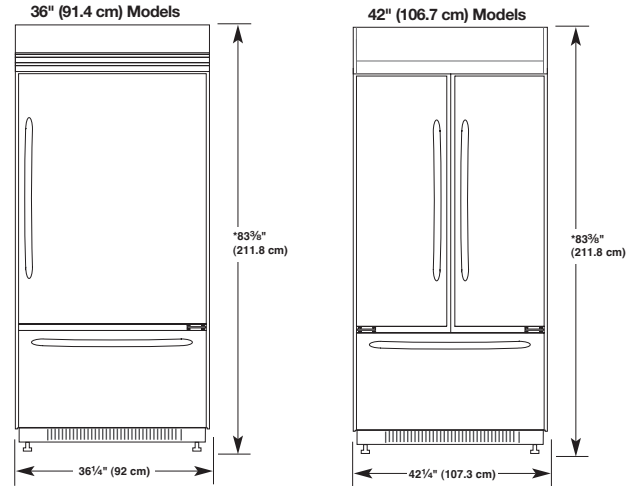
Model	Width A
36	35 1/4" (89.5 cm)
42	41 1/4" (105 cm)

### SIDE VIEW



- Height dimensions are shown with the leveling legs extended to 1/8" (3 mm) below the rollers.
- The power cord is 84" (213 cm) long.

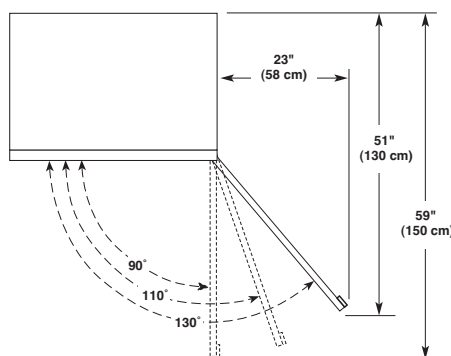
### FRONT VIEW



\*When leveling legs are fully extended to 1 1/4" (3.2 cm) below rollers, add 1 1/8" (2.9 cm) to the height dimensions.

## DOOR SWING DIMENSIONS

### 36" (91.4 cm) Models



### 42" (106.7 cm) Models

