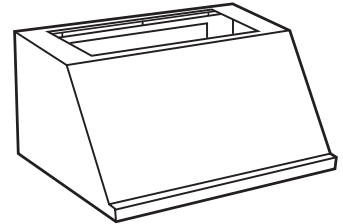


K260A SERIES RANGE HOODS

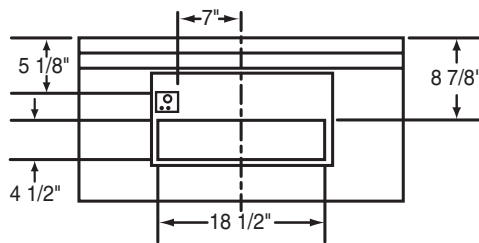


BLOWER DUCTING POSITION

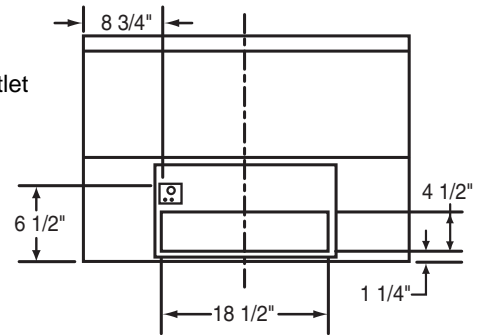
(Choice of transition will determine the final duct placement.)

MODEL P12:

Horizontal outlet
back view

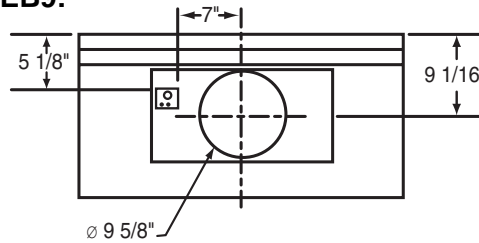


Vertical outlet
top view

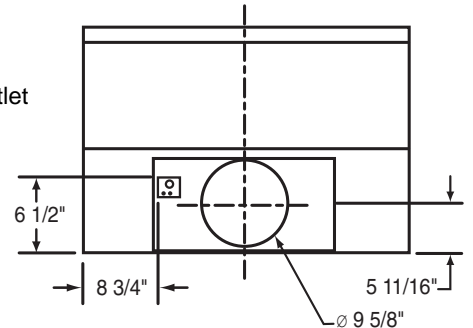


MODEL EB6 & EB9:

Horizontal outlet
back view

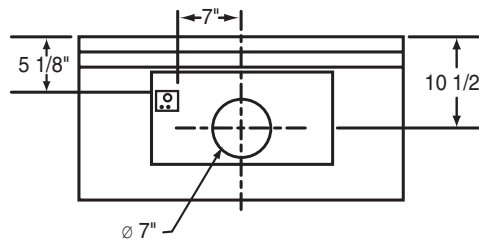


Vertical outlet
top view

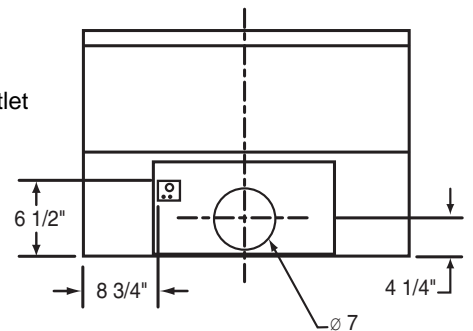


MODEL P6:

Horizontal outlet
back view



Vertical outlet
top view



Note: The electrical box dimensions are 2.5" x 3".

BEST BY BROAN P.O. BOX 140 HARTFORD, WISCONSIN 53027

REFERENCE	QTY.	REMARKS	Project
			Location
			Architect
			Engineer
			Contractor
			Submitted by
			Date