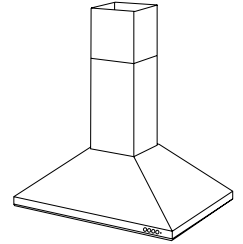


# IS23 SERIES RANGE HOODS



Controls conveniently located on the exterior edge of this seamless-look angular design.

### FEATURES

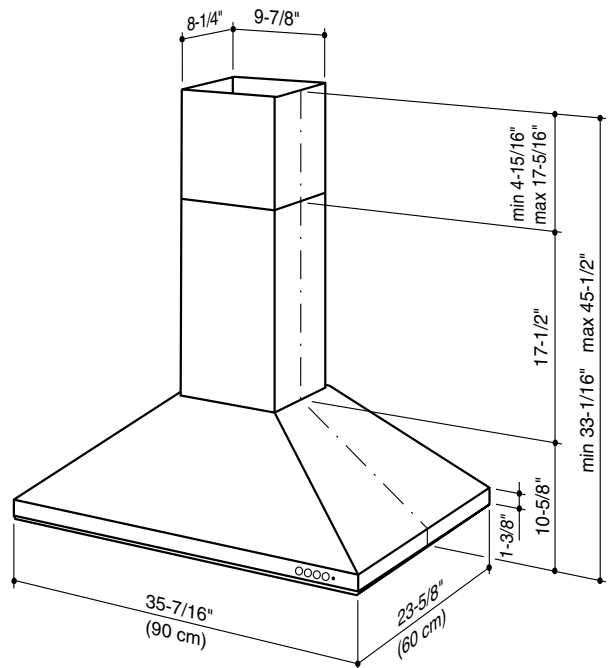
- Italian design
- Island ceiling mount
- Finishes: Stainless Steel, White, Black
- Size: 60cm x 90cm
- Telescopic flue accommodates 8' to 9' ceilings
- 6" round duct connector/backdraft damper
- Convertible to duct-free operation – use recirculating filter kit (purchase separately)
- Fluorescent lighting (2 x 9 watt, compact)
- Push button controls: lights, three speeds
- Single centrifugal blower
- Dishwasher-safe stainless steel/aluminum filters

### OPTIONS

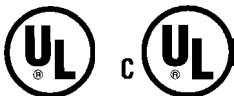
- Flue extension for 10' ceiling (Model No. FEXTIS23)
- Recirculating filter (Model No. ROUNDFILTER)
- Replacement grease filters available
- Replacement bulb (Part No. S02300700)

### SPECIFICATIONS

VOLTS	AMPS	CFM (L/S)	DUCT
120	2.6	600 (20)	6" (152mm)



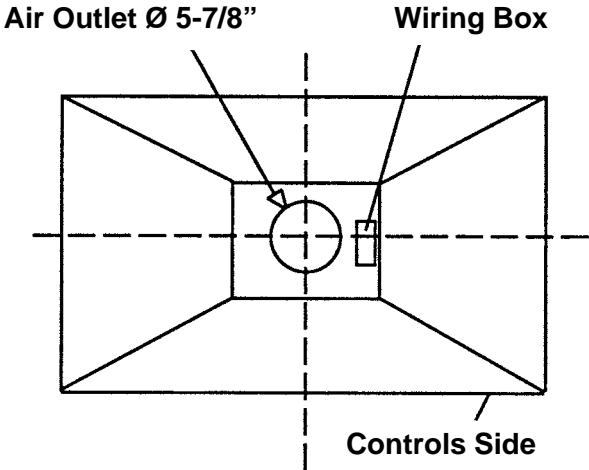
Mount range hood so bottom of hood is 24" to 30" above cooking surface.



BEST BY BROAN P.O. BOX 140 HARTFORD, WISCONSIN 53027

REFERENCE	QTY.	REMARKS	Project
			Location
			Architect
			Engineer
			Contractor
			Submitted by <span style="float: right;">Date</span>

# IS23 SERIES WIRING



# IS23 SERIES MOUNTING

