

Close



Specs/Dimensions

Product Information

Product Category	Evolution Dual-Fuel Range
Product Series	700 Series
Product Name	Evolution™ 700 Series Dual Fuel Range
Model Number	HDS71x2U
Color	Titanium
Also available in	Stainless Steel

Oven

Oven Capacity (cubic feet)	4.6
Broil Wattage	3600
Bake Wattage	2000
Third Element Wattage	1100

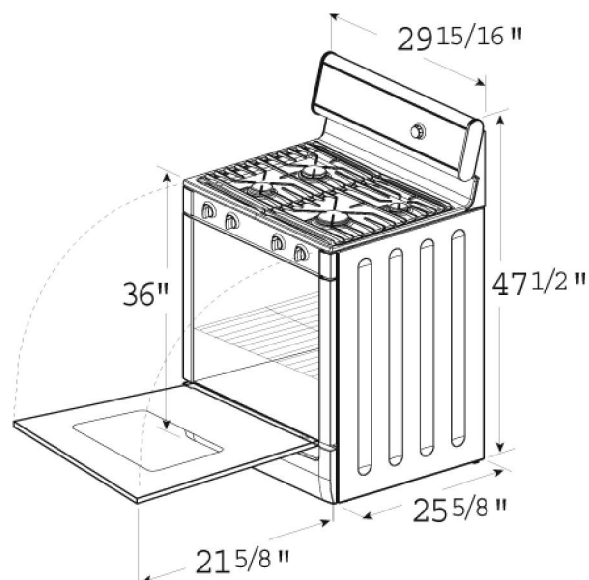
Cooktop

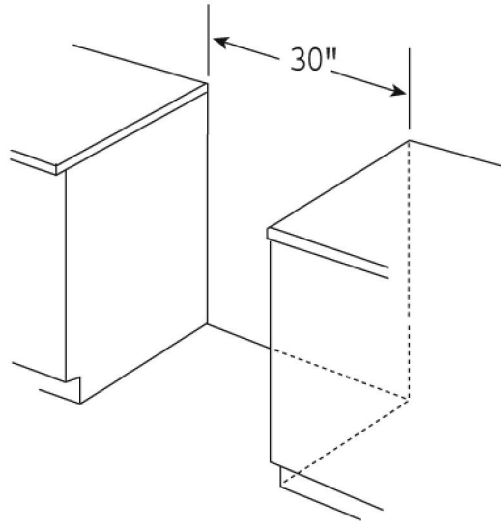
BTU/Right Front Burner**	16000
BTU/Right Rear Burner**	5500
BTU/Left Front Burner**	9100
BTU/Left Rear Burner**	12500

Technical

Dual Rated 208/240 Volts, 4-wire 60 Hz,	✓
Amps	30
Natural / LP Gas Convertible	✓
Overall Dimensions	47 1/2 - 37 X 29 15/16 X 25 5/8

Dimensions





Special Notes

Dimensions are for planning only. Please refer to installation instructions prior to making cutout. For details, see installation manual. Specifications subject to change without notice.

[Click Here to View Features](#)

[E-mail](#)

[Print](#)

[Close](#)