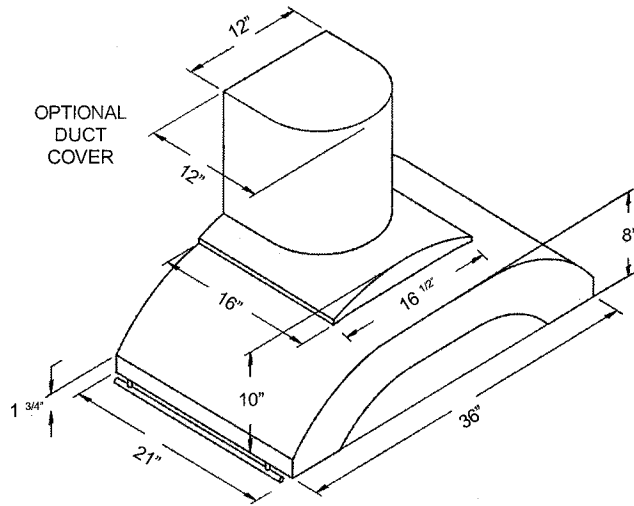


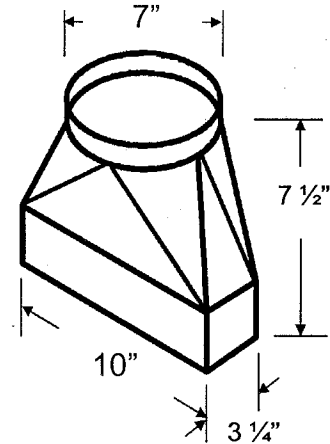
Vent Hood® WALL MOUNT RANGE HOOD SPECIFICATIONS

GTH equipped with halogen lighting. These models not available with heat lamps. Only available in stainless steel. Shown with optional duct cover (sold separately). Optional duct covers available in standard and custom sizes. Pot rail included.

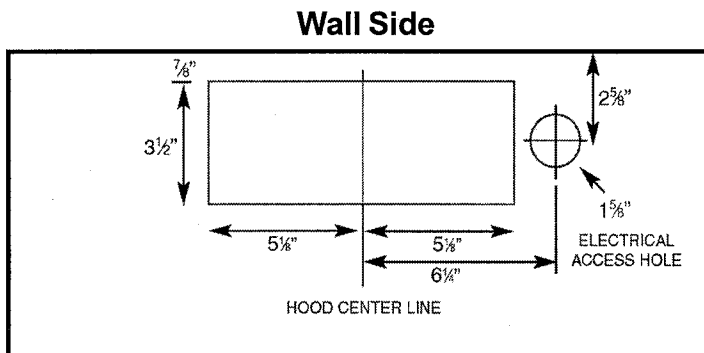


GTH (36" Width Only)

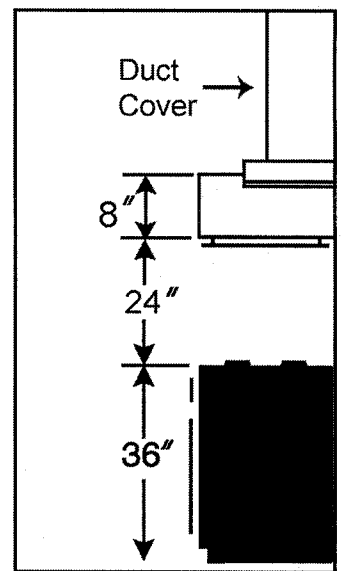
The VP521 transition is available for top vent applications at an additional charge.



Blower Outlet Diagram (Top Vent Only)



Mounting Height



NOTE: ACTUAL PHYSICAL HEIGHT OF DUCT COVER IS 2" MORE THAN MODEL NUMBER DESIGNATION (DUCT COVER EXTENDS 2" INTO TOP OF HOOD)

Electrical/Mechanical Specifications For K250 Blower

Application	Volts	Amps	HZ	RPM	Equivalent CFM	CFM SP@0"	CFM SP@0.1"	CFM SP@0.2"	CFM SP@0.3"
Top Vent High	115	3.2 ●	60	1550	360	240	225	215	200
Top Vent Low	115	3.2 ●	60	1200	255	170	170	160	155

●Note: Add .5 amp for each halogen bulb. Halogen lights- 2 lights, one on each side. Equivalent CFM refers to the fact that the K Series blower uses a centrifugal filtration unit, whereas others use conventional filters. Apply this guideline when comparing blower units made by other manufacturers.