



NOTICE OF SPECIFICATION ADDENDUM (06/05)

The specifications for the hood that you are installing or plan to install will have one of two different blower outlet configurations (round or rectangular). Please reference the appropriate specification sheet for information that pertains to your specific configuration.

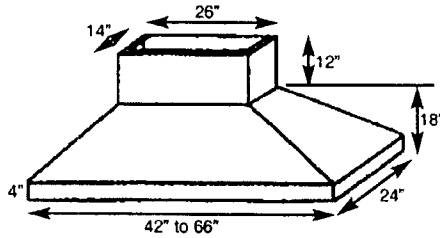
If there is any question as to what type of unit you will be receiving or currently have, please contact your dealer or distributor for assistance.

Vent Hood SPECIFICATION SHEET

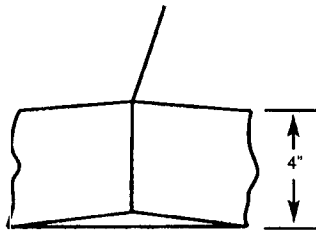
EPT18, EPTH18, EPXT18, EPXTH18 Euroline Pro Wall Mount Models
 NEPT18, NEPTH18, NEPXT18, NEPXTH18 Nouveau Euroline Pro Series
 SEP18, SEPH18, SEPX18, SEPXH18 Euroline Pro with Emerald Lip
 Note: "H" in part number indicates halogen lighting.

EPT18/EPTH18 Euroline Pro
NEPT18/NEPTH18 Nouveau Euroline Pro
SEPT18/SEPTH18 With Emerald Lip

EPXT18/EPXTH18 Euroline Pro
NEPXT18/NEPXTH18 Nouveau Euroline Pro
SEPXT18/SEPXTH18 With Emerald Lip

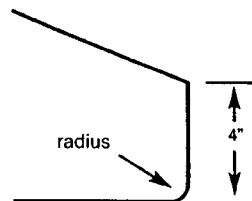


Euroline Pro Lip

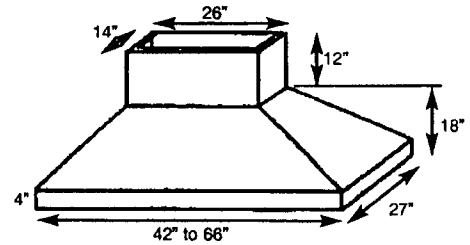


*Warming lights
 are not available
 with this model.
 Duct covers
 priced separately*

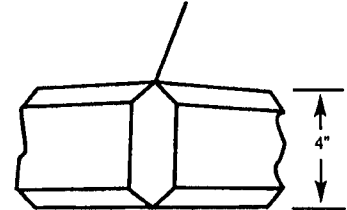
**Nouveau Euroline
 Pro Radius Lip**



Side View



**Euroline Pro With
 Emerald Lip**



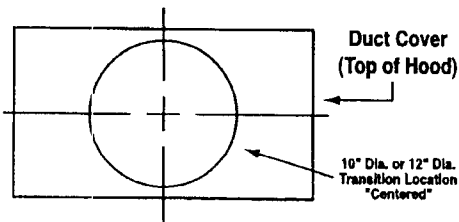
ELECTRICAL/MECHANICAL SPECIFICATIONS FOR BLOWER UNITS

Model	Motor	Type	Volts	Amps	HZ	RPM	CFM SP@0.0"	Equivalent CFM	CFM SP@0.1"	CFM SP@0.2"	CFM SP@0.3"	Minimum Round Duct Size	Square Inches
B100 Single	1/25	Shaded Pole	115	1.7*	60	1550	300	450	286	270	240	6" (or equivalent)	28
B200 Dual	(2) 1/25	(2) Shaded Pole	115	3.4*	60	1550	600	900	572	540	480	8" (or equivalent)	50

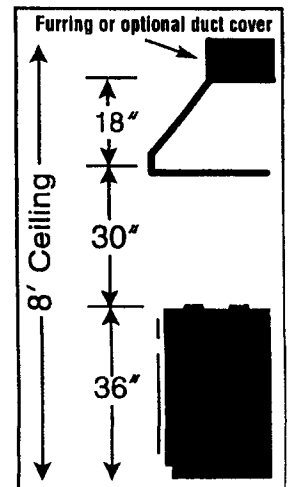
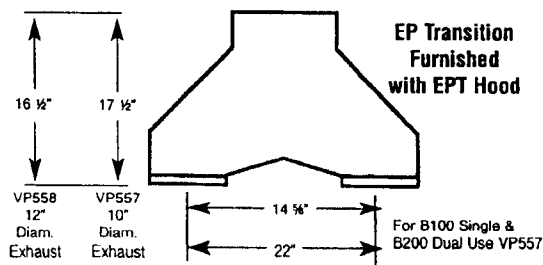
* Note: Add 2.5 amps for each warming light and 1.0 additional amp for each halogen bulb. Equivalent CFM explained in the checklist on page 19 of literature.

Lighting: Hood is available with fluorescent light (1 for each single or dual blower) or with halogen lights - 24" to 41" - 2 lights, 42" to 53" - 3 lights, 54" to 66" - 4 lights, 66" + 1 light for each 16" of width. Warming lights are not available on these models.

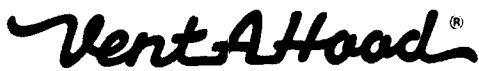
The transition shown (VP557 & VP558) is installed in the hood at the factory as a standard item. It will be located in the exact center of the duct cover (left to right & front to rear).



DUCT - 10" for Single B100 & Dual B200
 and 12" for two Dual B200 Units

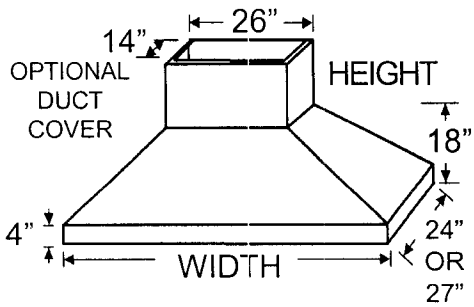


SPECIFICATIONS SUBJECT TO CHANGE WITHOUT NOTICE.

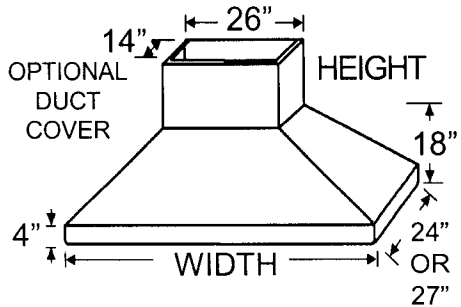


EUROSTYLE WALL MOUNT RANGE HOOD SPECIFICATIONS

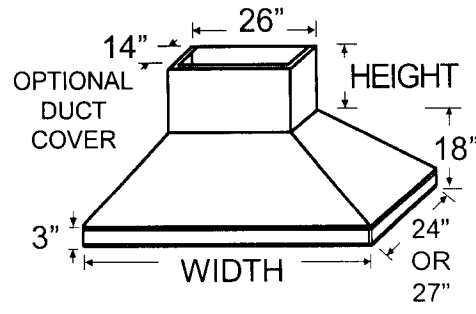
EP(X)T18/EP(X)TH18/NEP(X)T18/NEP(X)TH18/SEP(X)T18/SEP(X)TH18 "H" in part number indicates halogen lighting. These models not available with heat lamps. Shown with optional duct cover (sold separately). Optional duct covers available in standard and custom sizes.



EP(X)T18/EP(X)TH18



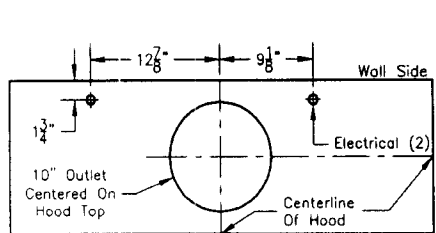
NEP(X)T18/NEP(X)TH18



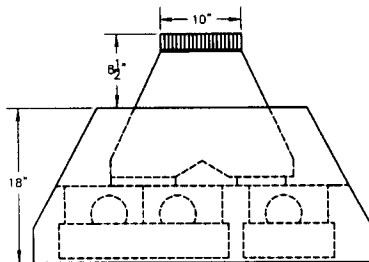
SEPT(X)18/SEP(X)TH18

(X) in part number indicates 27" depth

Blower Outlet Diagrams (42" - 66" Widths)

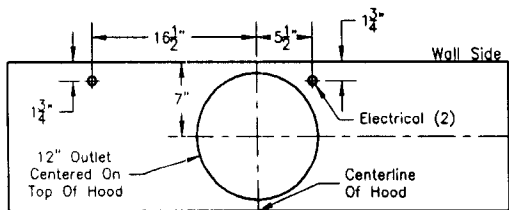


B300 Top View
B200 Dual Blower & B100 Single Blower

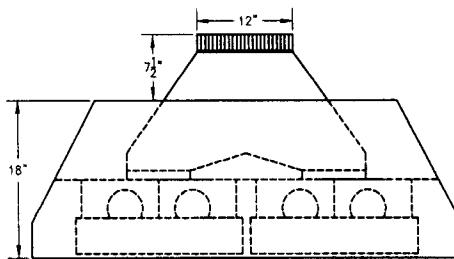


VP562 Standard Transition
(Included)

Blower Outlet Diagrams (54" - 66" Widths)

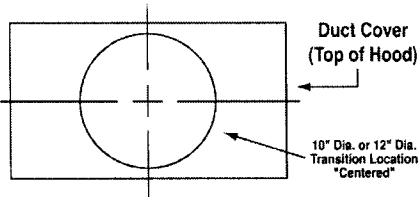


B400 Top View
B200 Dual Blower & B200 Dual Blower

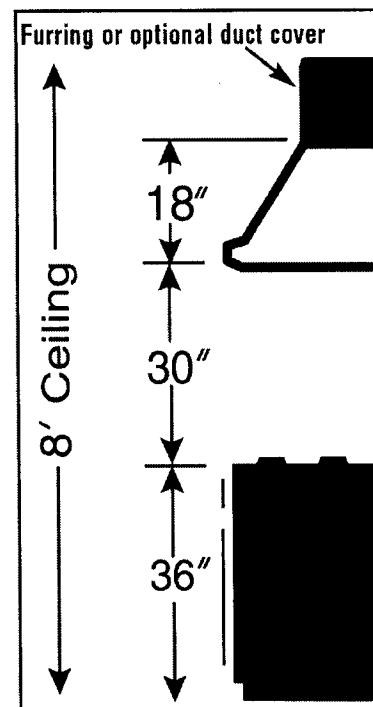


VP563 Standard Transition
(Included)

The transition shown (VP562 & VP563) is installed in the hood at the factory as a standard item. It will be located in the exact center of the duct cover (left to right & front to rear).



Mounting Height



Electrical/Mechanical Specifications For Blower Units

Model	Motor	Type	Volts	Amps	HZ	RPM	CFM SP@0"	Equivalent CFM	CFM SP@0.1"	CFM SP@0.2"	CFM SP@0.3"	Minimum Round Duct Size	Square Inches
B100 Single	1/25	Shaded Pole	115	1.7•	60	1550	300	450	286	270	240	6" (or equivalent)	28
B200 Dual	(2) 1/25	(2) Shaded Pole	115	3.4•	60	1550	600	900	572	540	480	8" (or equivalent)	50

●Note: Add .5 amp for each halogen bulb. Equivalent CFM refers to the fact that the Magic Lung blower uses centrifugal filtration units, whereas others use conventional filters. Apply this guideline when comparing blower units made by other manufacturers. Hood is available with fluorescent light (1 for each single or dual blower) or with halogen lights- 24" to 41" 2 lights, 42" to 53" 3 lights, 54" to 66" 4 lights, over 66" 1 light for each 16" hood width.