

30" PROFESSIONAL GRILL

30" Grill with optional Stainless Steel Grill Cart and side burners (as shown) | BGB30-BQR



DCS OUTDOOR GRILLS ARE SIMPLY THE MOST ADVANCED GRILLING SYSTEM AVAILABLE. AT DCS WE COMBINE THE LATEST GRILLING TECHNOLOGY AND INNOVATION TO DELIVER THE ULTIMATE IN OUTDOOR COOKING PERFORMANCE AND CONTROL. EVERY DCS GRILL IS HANDCRAFTED AND CONSTRUCTED ENTIRELY OF HEAVY GAUGE TYPE 304 STAINLESS STEEL.

SMART BEAM GRILL LIGHT™: DCS perfects grilling at night with its revolutionary Integrated Grill Surface Lighting System. The system uses a 50-watt halogen light integrated into the rotisserie motor to illuminate the entire grilling surface. It's "smart" because it is outside of the grill lid and won't get charred or greasy.

BATTERY IGNITION: 9-volt battery ignition for safe and efficient grill lighting every time.

STAINLESS STEEL GRILLING GRATES: Durable weatherproof rod shaped grates for ultimate grilling.

CERAMIC RADIANTS: Provide intense and even radiant heat across the entire grilling surface. The radiant heat that is delivered is proven to cook faster and more efficiently.

STAINLESS STEEL BURNERS: Precision ported, U-shaped stainless steel burners accurately deliver up to 25,000 Btu's each.

INFRARED ROTISSERIE BURNER: Dedicated ceramic rotisserie burner delivers up to 14,000 Btu's of even and intense searing heat.

ROTISSERIE MOTOR: This heavy-duty rotisserie motor with stainless steel rod and forks is able to accommodate up to 50 lbs.

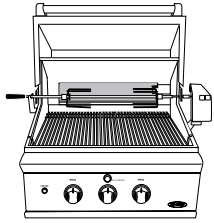
REMOVABLE WARMING RACK: Perfect for keeping your food warm.

Optional Stainless Steel Grill Cart: Includes an LP tank position locator. A conveniently located condiment shelf is designed into the door. Fold down side shelf with removable stainless steel serving tray that is perfect for entertaining. Equipped with two locking swivel casters and two heavy-duty 8" wheels with stainless steel hubcaps.



PERFECT HEAT.

Configuration:



BGB30-BQR

MODEL NUMBER	BGB30-BQR
PRIMARY GRILLING AREA	575 sq. in.
SECONDARY GRILLING AREA	184 sq. in.
GRILL BURNERS	2 @ 25,000 Btu/hr
OPTIONAL SIDE BURNER	2 @ 17,000 Btu/hr or 1 @ 17,000 Btu/hr
INTERGRATED ROTISSERIE BURNER	14,000 Btu/hr
GRILL GRATES	Stainless Steel
SHIPPING WEIGHT (GRILL HEAD)	164 lbs.
SHIPPING WEIGHT (OPTIONAL CART)	95 lbs.

NOTE: Rotisserie and grill burners not recommended for simultaneous use.

Power Requirements:

120V 60Hz for Rotisserie Motor.

Ordering Data:

Please specify gas type (natural or propane) when ordering.

Gas Requirements:

NATURAL

- ▶ 1/2" NPT male with a 3/8" flare adaptor
- ▶ Operational Pressure: 4.0" W.C.

PROPANE

- ▶ 1/2" NPT male with a 3/8" flare adaptor
- ▶ LP hose with a quick disconnect & fitting are included
- ▶ Operational Pressure: 11" W.C.

Island Ventilation Requirements:

It is recommended that adequate ventilation openings are provided in the base of an enclosure to prevent accumulation of gas in the event of a gas leak.

Grill Placement:

DO NOT build grill under overhead unprotected combustible construction. Use only in well ventilated areas. These units are for Outdoor use only.

Conversion Kits:

NG to LP and LP to NG conversion kits are available from your dealer.

Recommended Accessories

- ▶ Stainless Steel Grill Cart
- ▶ Single or Double side-burners
- ▶ Stainless Steel Access Doors for built-in application
- ▶ Insulated Jacket for built-in application into combustible enclosures
- ▶ DCS exclusive 5-piece stainless steel Grilling Tool Set
- ▶ Corian® Chopping Board that fits in side-shelf
- ▶ Maple Chopping Board that fits in side-shelf
- ▶ Additional Grill Cart Side Shelf
- ▶ Drop-on Griddle Plate
- ▶ Vinyl Grill Cover

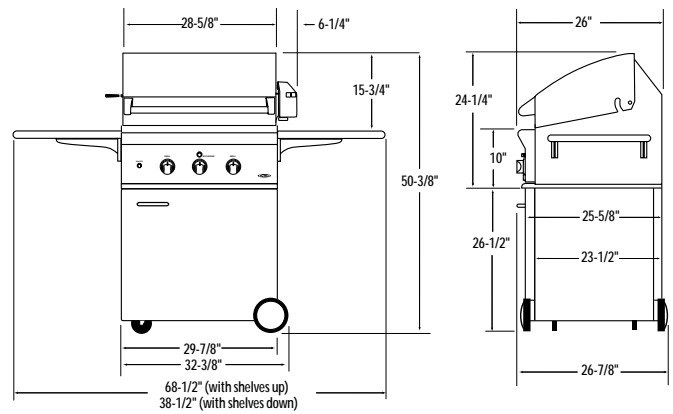
Warranty

All Grills are covered by a one (1) year comprehensive parts and labor warranty. In addition, a five (5) year limited parts warranty covers specific parts that vary by model. Please see the product Use and Care Manual for the specified parts covered under this warranty. A lifetime warranty covers all stainless steel components against manufacture related defects. This excludes discoloration or surface corrosion resulting from improper use and care. Please refer to product use and care manual for proper care and maintenance.

Because of continuing product improvement these specifications are subject to change without notice.



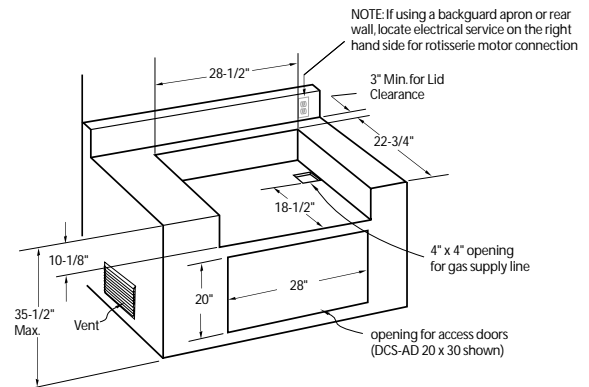
Product Dimensions:



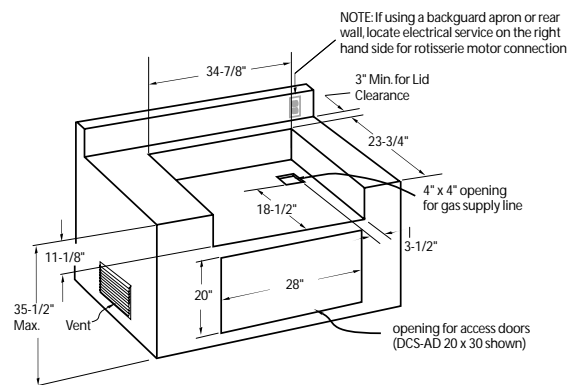
NOTE: Shown on optional grill cart. Cart ships standard with one side shelf assembly. The second side shelf assembly is an available accessory.

Island Preparation:

Standard layout for non-combustible enclosure:



Layout for insulated jacket only - combustible enclosure:



PERFECT HEAT.

For more information on our complete line of outdoor products or to find out more about our residential kitchen appliances, please call 1.800.433.8466 or visit www.dcsappliances.com

©2003 DCS 5800 Skylab Road, Huntington Beach, CA 92647

P/N 17749 REV. A 11/03