

GE Monogram® 36" Built-In Bottom-Freezer Refrigerator



Model# ZICS360NXLH



- Integrated Appearance with Heavy-Gauge 304 Stainless Steel - Extends completely across the doors, wrapping around the edges; Signature Monogram tubular handles enhance the overall look and feel
- Upfront Electronic Controls with Digital Readout - Allows precise temperature settings and are positioned for maximum ease of use
- Humidity Controlled Vegetable Compartments and Sealed Snack Pans - Help maintain freshness and help preserve foods longer
- Adjustable, Spill Proof Glass Shelves - Make it easy to customize storage to handle foods and containers of various sizes
- 2 Sealed Deli Pans with Full-Extension Slides
- Six Adjustable Door Bins - Offer added storage flexibility
- GE Water™ Filtration System - Delivers clean, great tasting ice

FEATURES

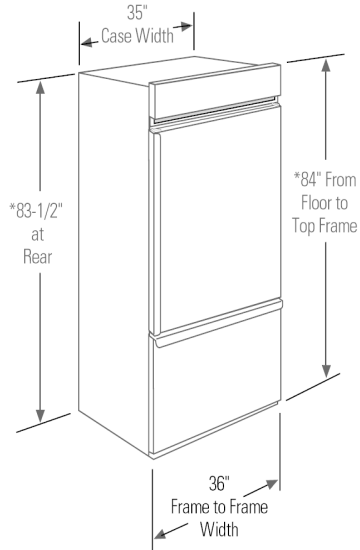
Configuration	Full Door
Temperature Management Features	Multi-Shelf Air Management Tower, Independent Temperature Controls
Control Type	Upfront Electronic Digital Temperature Display
Icemaker	Factory-Installed
Water Filtration	GE Water Filtration
Filter Change Indicator	Yes
Fresh Food Cabinet Shelves	5
Fresh Food Cabinet Shelf Features	4 Adjustable, Glass
Fresh Food Door Bins	6
Fresh Food Door Features	6 Adjustable, Gallon Storage
Fresh Food Features	Butter Dish - Glass, Covered, Dairy Compartment - 2
Deli Drawer	Sealed
Produce Drawer	Sealed Adj. Humidity
Freezer Features	Freezer Drawer with Full Extension Slides
Beverage Feature	Wine Caddy
Exterior Style	Built-In
Independent Utility Basket	with Full Extension Slides
Leveling System	4 Point Front Adjustable
Sabbath Mode Kit	Optional - ZSAB1

To locate a GE Monogram dealer, call 1-800-626-2000

GE Monogram® 36" Built-In Bottom-Freezer Refrigerator



Model# ZICS360NXLH



APPROXIMATE DIMENSIONS (HxDxW)

- 84 in x 23 7/8 in x 36 in

CAPACITY

- Total Capacity (cubic feet) 20.6 cu ft
- Fresh Food Capacity 14.5 cu ft
- Freezer Capacity 6.1 cu ft

WARRANTY

- Parts Warranty - Limited 2-year entire appliance
Limited 5-year sealed refrigerating system
Limited 12-year sealed refrigerating system
- Labor Warranty - Limited 2-year entire appliance
Limited 5-year sealed refrigerating system
- Warranty Notes - For models produced on or after
January 1, 2006
See written warranty for full details

To locate a GE Monogram dealer, call 1-800-626-2000