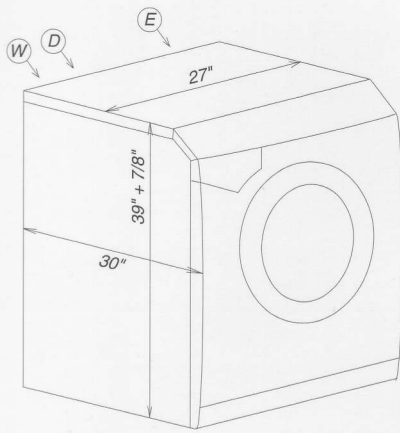


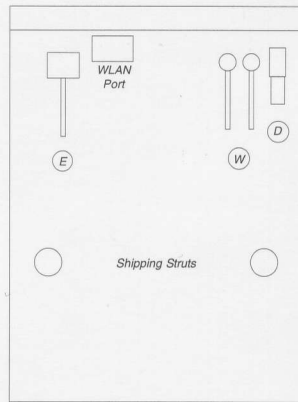
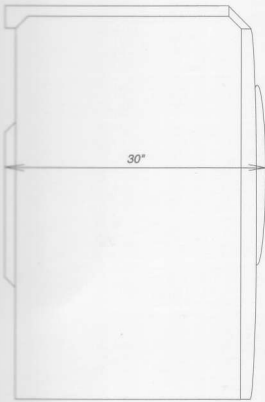
Product specifications

W 4800 / W 4840
Washing Machine
Product Dimensions



W 4800 / W 4840
Side View

Rear View



W 4800 / W 4840 (at left)

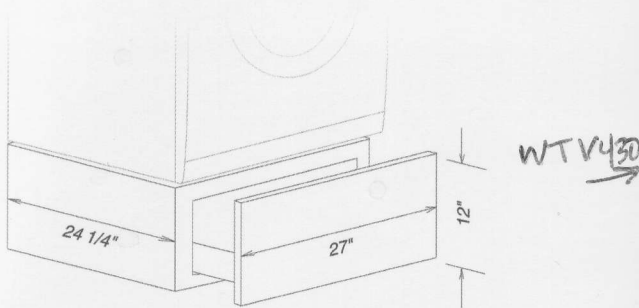
Location Codes:

- D - 5 foot flexible drain hose connects upper left rear
- E - 120 Volt - 15 amp - 5 foot, 3-wire molded plug power supply connect upper right rear (NEMA 5-15)
- W - 5 foot separate flexible hot and cold water intake hoses connects upper rear left

Notes:

- All installations must be done in accordance with local codes
- Remove transport struts in rear of machine before installation
- Both washers are right door hinged only

WTS 430 Laundry Stand
Product Dimensions



WTS 430 Laundry Stand (at left)

Notes:

- For use under W 4800, W 4840, T 9800 and T 9820 appliances
- All installations must be done in accordance with local codes