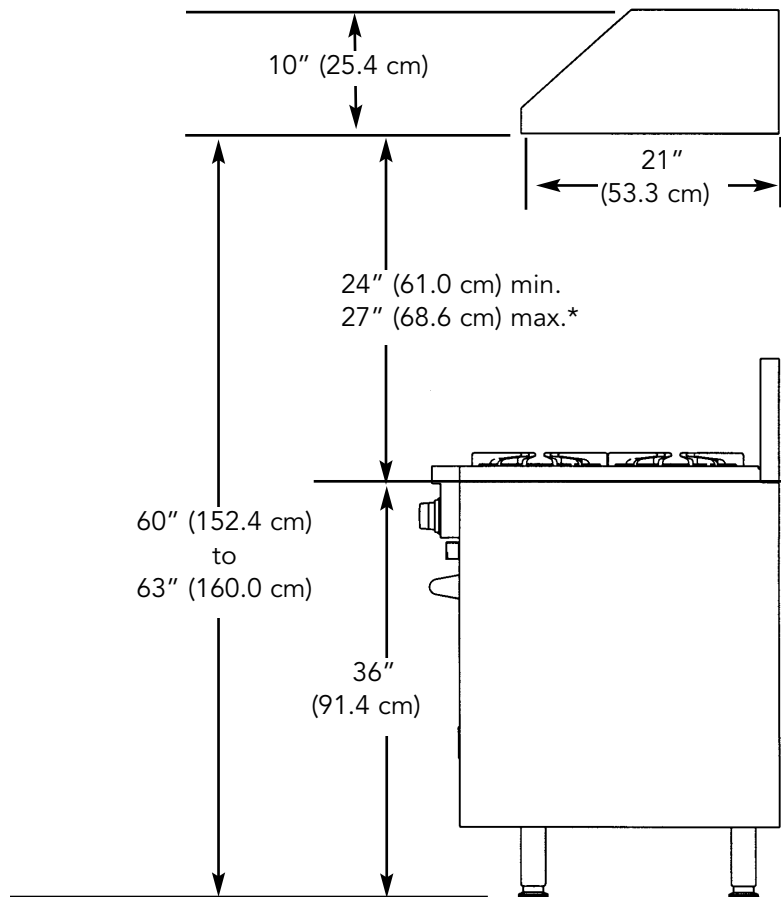


## HEIGHT OF HOOD

The bottom of the hood should be 24" (61.0 cm) min. to 27" (68.6 cm) max. above the countertop. This would result in the bottom of the hood being 60" (152.4 cm) to 63" (160.0 cm) above the floor. These dimensions provide for safe and efficient operation of the hood and a more proportionately pleasing and attractive installation.



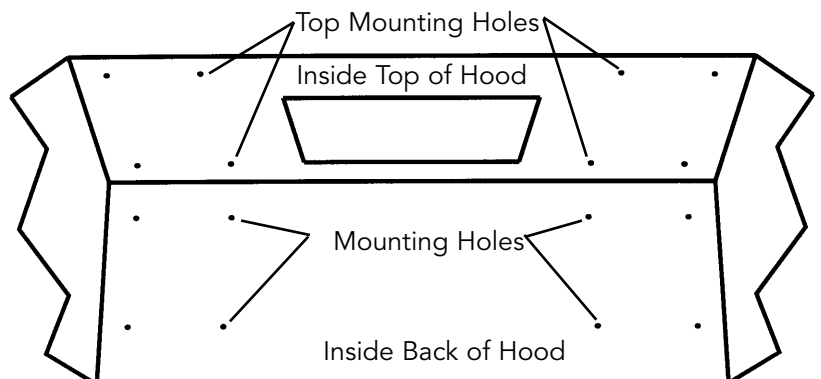
**\*NOTE:** When installing with a 24" H. high shelf, the 27" (68.6 cm) max. dimension must be used.

## INSTALLING HOOD

Center hood over location and hold it against bottom of soffit or flue. Secure hood to wall with mounting screws.

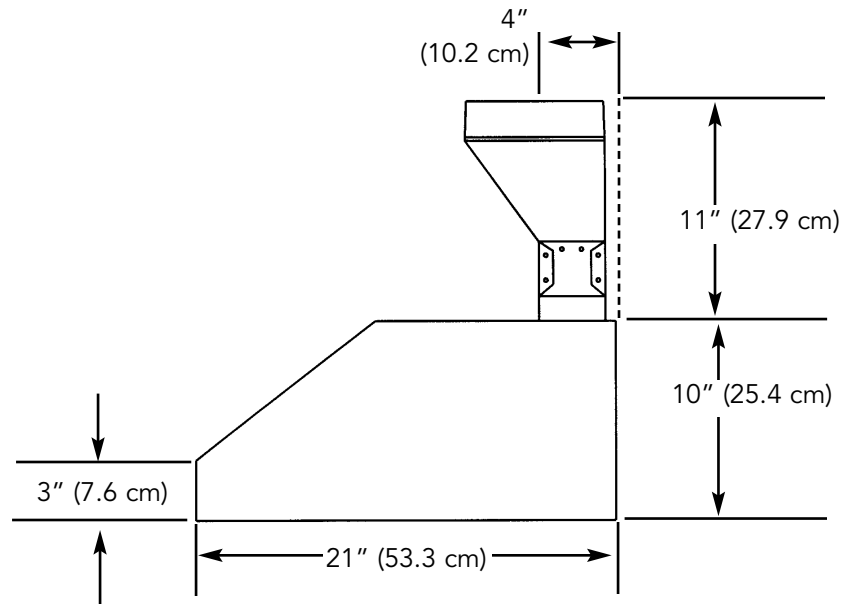
Use additional mounting screws ( and wall anchors if necessary) through outer set of holes.

**NOTE: BECAUSE OF THE WEIGHT OF THE HOOD - MAKE SURE THAT THE OUTER MOUNTING SCREWS ARE DRIVEN INTO THE SOFFIT FRAMING AND NOT JUST THE DRYWALL**

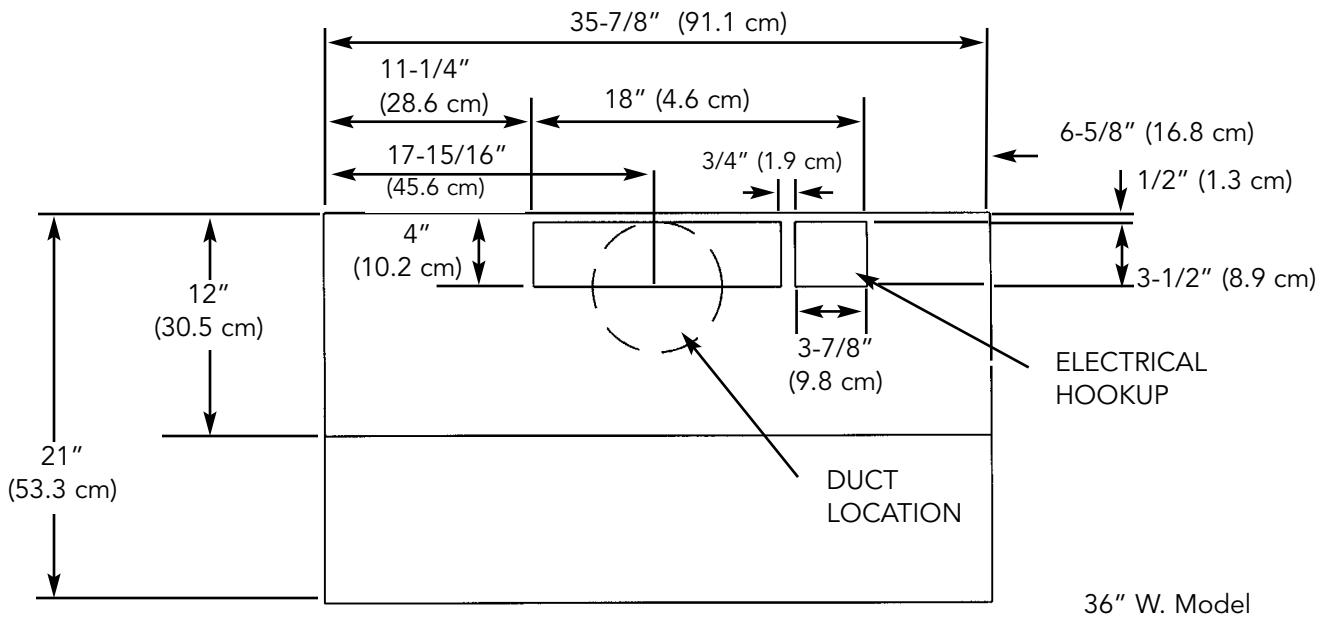
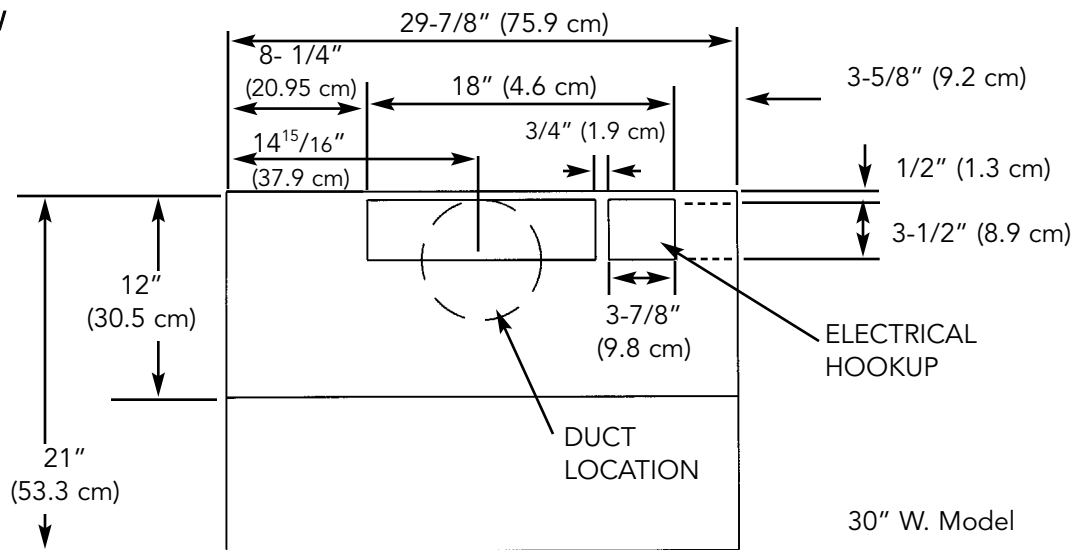


# WALL HOOD DIMENSIONS

SIDE VIEW

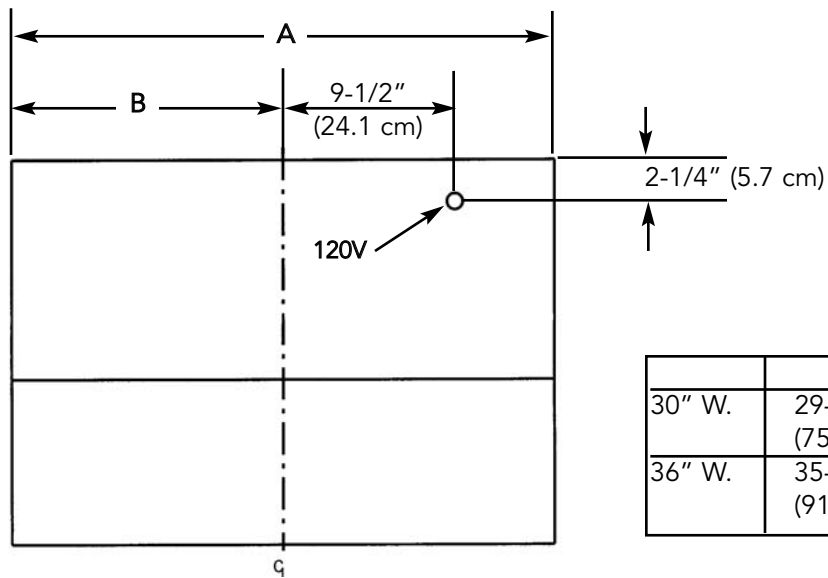
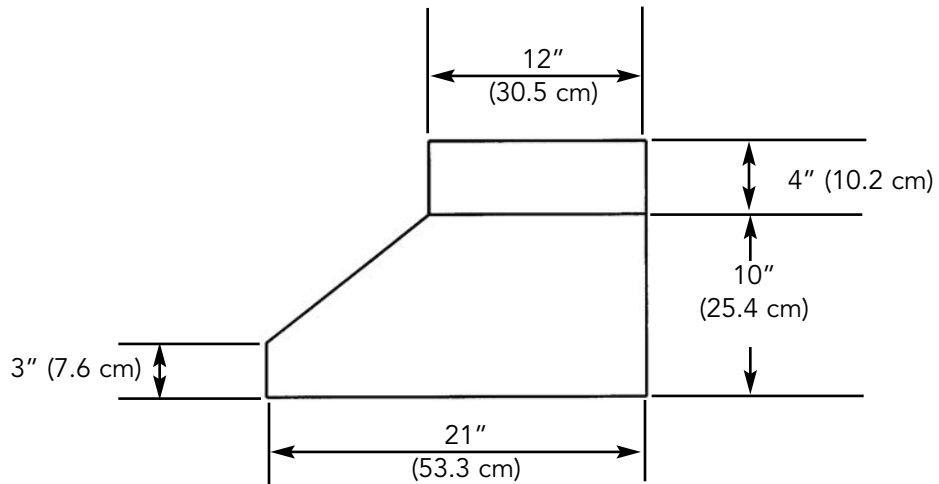


TOP VIEW



# RECIRCULATING WALL HOOD DIMENSIONS

## Side View



	A	B
30" W.	29-7/8" (75.9 cm)	14-15/16" (37.9 cm)
36" W.	35-7/8" (91.1 cm)	17-15/16" (45.6 cm)

## BASIC SPECIFICATIONS INTERIOR-POWER 10"H. HOODS

Specifications	30" W. Model	36" W. Model
Exhaust Capacity	460 CFM	460 CFM
Blower Motors	1	1
Electrical Requirements (120VAC/60Hz)	5.6 amps	5.6 amps
Ducting Requirements *	7" (17.8 cm) round	7" (17.8 cm) round
Baffle Filters	2	2
Charcoal Filters**	2	2
Halogen Lights (50W)	2	2

\* Disregard when using recirculating kits

\*\* Recirculating kits only

- Maximum duct run length: 50 Ft. (152.4 cm)
- All CFM's stated are based on tests with .1 static pressure; without applying static pressure (as some brands consciously do), CFM could be greatly overstated.
- Duct run length is for general reference only; for longer duct runs, increase duct size and contact a qualified and trained installer.
- Straight runs and gradual turns are best; avoid sharp turns; for example, each 90° elbow is equivalent to 5 - 10 feet (1.52 m - 3.05 m) of straight run.
- NEVER USE FLEXIBLE DUCT; It creates back pressure / air turbulence and greatly reduces performance.
- Proper performance is dependent upon proper ducting; make sure that a qualified and trained installer is used.
- Check with a qualified and trained installer or local codes for makeup air requirements, if any.

## INSTALLATION

Plan where and how the ductwork will be located. Install proper-sized duct work, transition(s), elbow(s) and roof or wall cap.

Dimensions for the most common installations are shown ABOVE.

Adjust your measurements for various heights of ceilings, soffits, cabinets, or cooktops.

