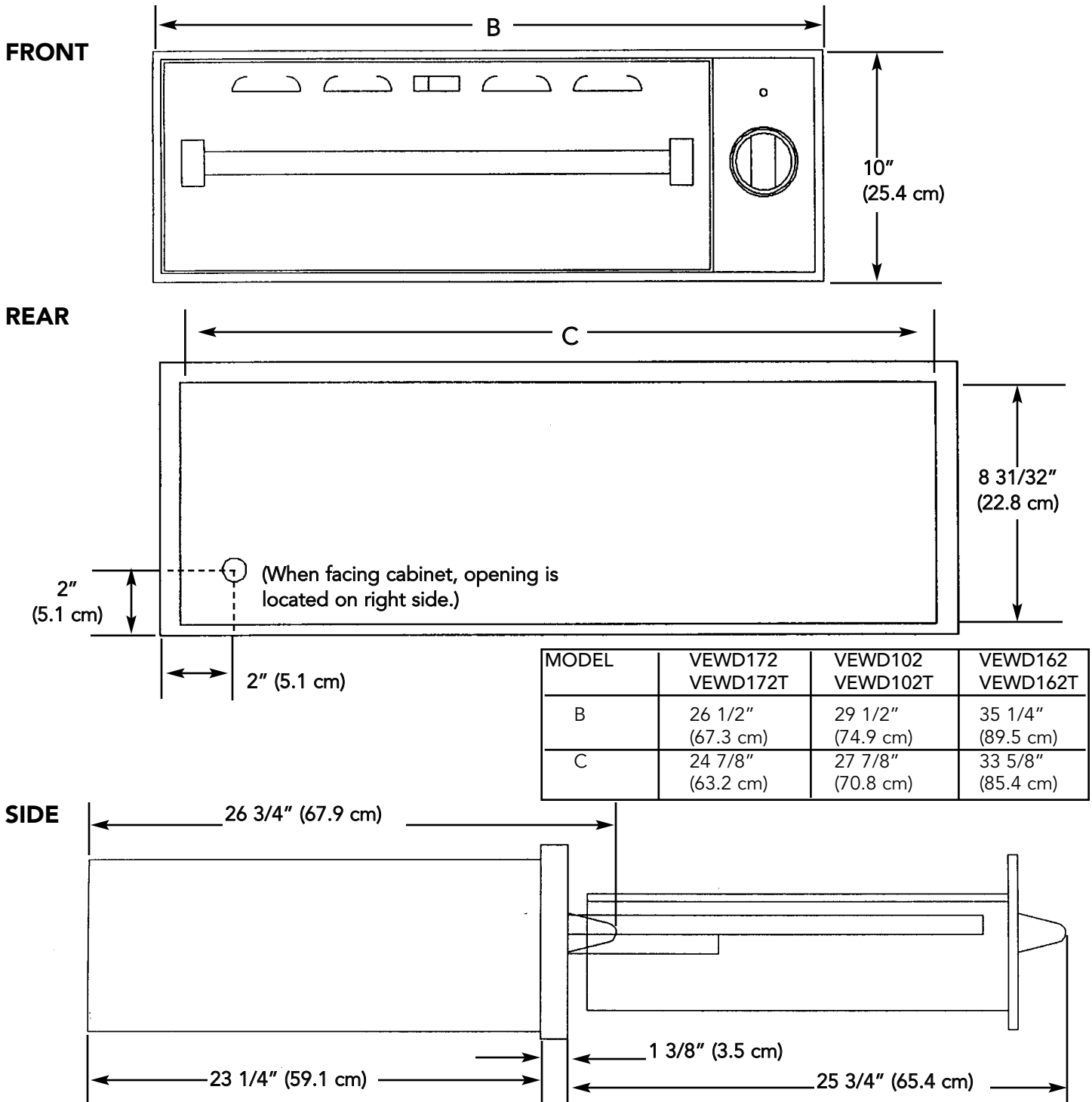


## CABINET INSTALLATION

- To remove drawer assembly, pull warming drawer pan out until fully extended. Slide finger along the right and left side until you reach the black hand latches (located at the front of the rails). Pull up on both the right and left latches and pull drawer pan support completely out.
- For outdoor models - Apply silicon caulk that is provided all around the back of the warming drawer trim.
- Slide cavity assembly into cabinet opening.
- Drill (4) pilot holes in cabinet using 1/8" drill bit. Permanently secure the warming drawer using the (4) #8 mounting screws provided.
- Replace drawer assembly.



Viking Range Corporation

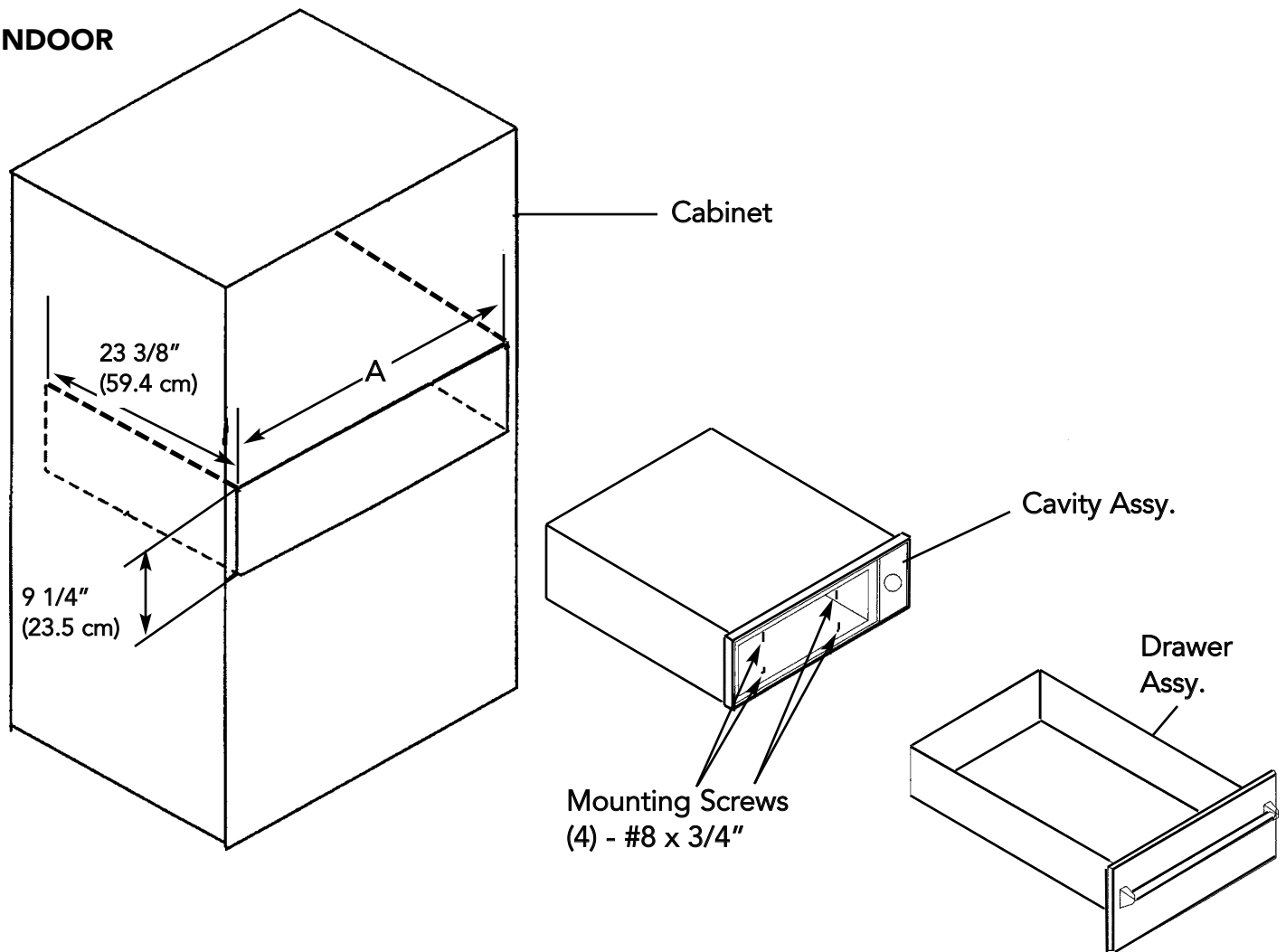
111 Front Street • Greenwood, Mississippi 38930 USA • (662) 455-1200

Specifications subject to change without notice

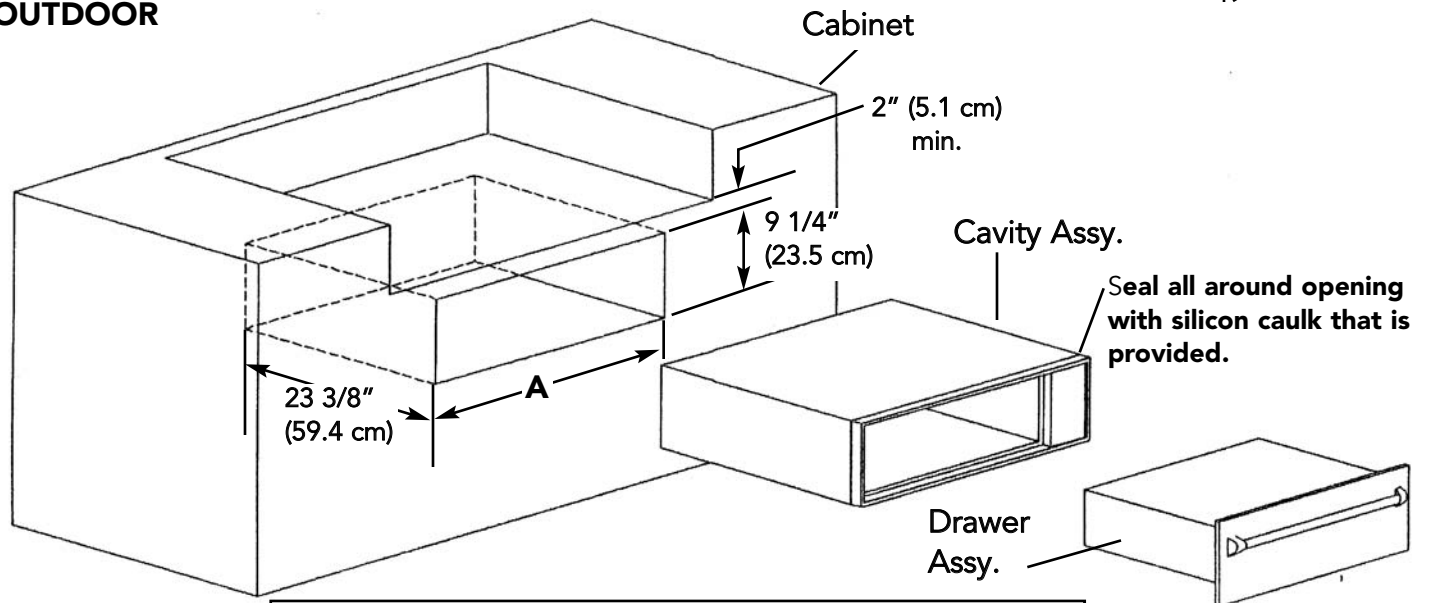
For more product information, call 1-888-VIKING1 (845-4641), or visit the Viking web site at <http://www.viking-range.com>

# CABINET CUTOUT

## INDOOR



## OUTDOOR



Model	VEWD172 VEWD172T	VEWD102 VEWD102T	VEWD162 VEWD162T
A	25" (63.5 cm)	28" (71.1 cm)	33 3/4" (85.7 cm)

# BASIC SPECIFICATIONS

MODEL	VEWD172 VEWD172T	VEWD102 VEWD102T	VEWD162 VEWD162T
Interior width	17 1/4 (43.8 cm)	20 1/2" (52.1 cm)	25" (63.5 cm)
Interior height	6" (15.2 cm)	6" (15.2 cm)	6" (15.2 cm)
Interior depth	22 3/4" (27.8 cm)	22 3/4" (27.8 cm)	22 3/4" (27.8 cm)
Electrical Requirements	Hard wire direct with separate 15 amp minimum 2-wire with ground circuit; 120 VAC/50-60 Hz		
Max. Amp Usage	425 watts 3.6 amps	450 watts 3.8 amps	550 watts 4.6 amps
Approx. shipping Wt.	80 lb. (36 kg)	90 lb. (40.5 kg)	110 lb. (49.5 kg)

## WIRING DIAGRAM BUILT-IN ELECTRIC WARMING DRAWER

