



NOTICE OF SPECIFICATION ADDENDUM (06/05)

The specifications for the hood that you are installing or plan to install will have one of two different blower outlet configurations (round or rectangular). Please reference the appropriate specification sheet for information that pertains to your specific configuration.

If there is any question as to what type of unit you will be receiving or currently have, please contact your dealer or distributor for assistance.

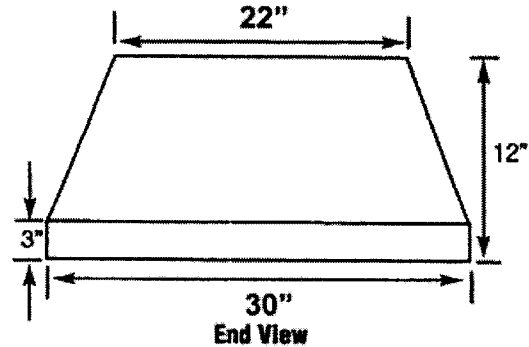
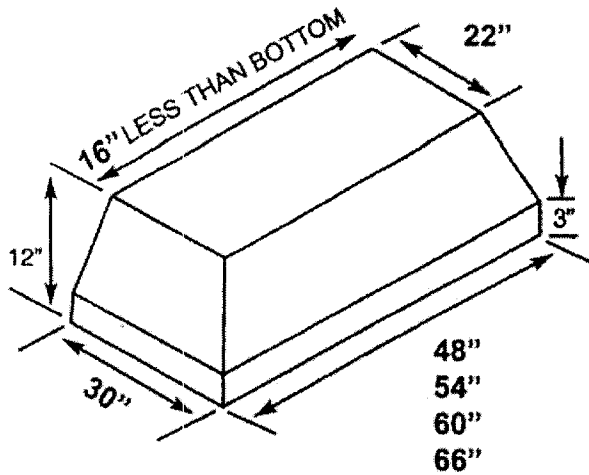
Vent Hood

SPECIFICATION SHEET

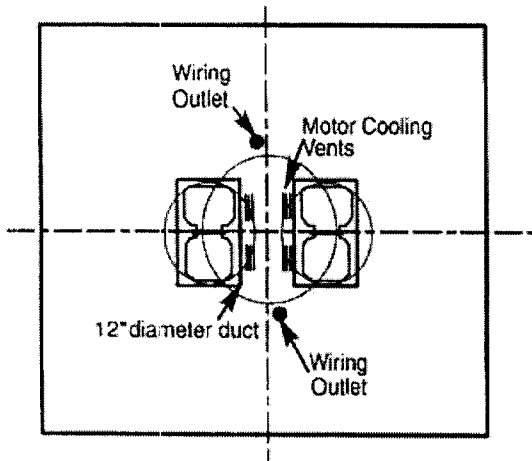
TPSLE ISLAND LINER

MODELS: Island Liner TPSLE, TPHSLE

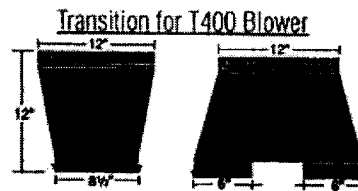
This model not available with remote blower or heat lamps. Note: "H" in part number indicates halogen lighting.



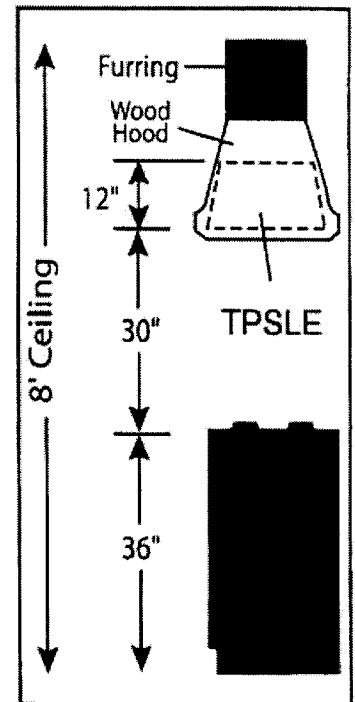
Top View- T400 Island Cluster Blower



12" round centered on top left to right, back to front



VP549 transition to 12" round is furnished with liner



ELECTRICAL/MECHANICAL SPECIFICATIONS FOR BLOWER UNITS

Model	Motor	Type	Volts	Amps	HZ	RPM	CFM SP@0"	Equivalent CFM	CFM SP@0.1"	CFM SP@0.2"	CFM SP@0.3"	Minimum Round Duct Size	Square Inches
T400 Cluster	(4) 1/25	(4) Shaded Pole	115	6.8*	60	1550	1200	1800	1144	1080	960	12" (or equivalent)	113

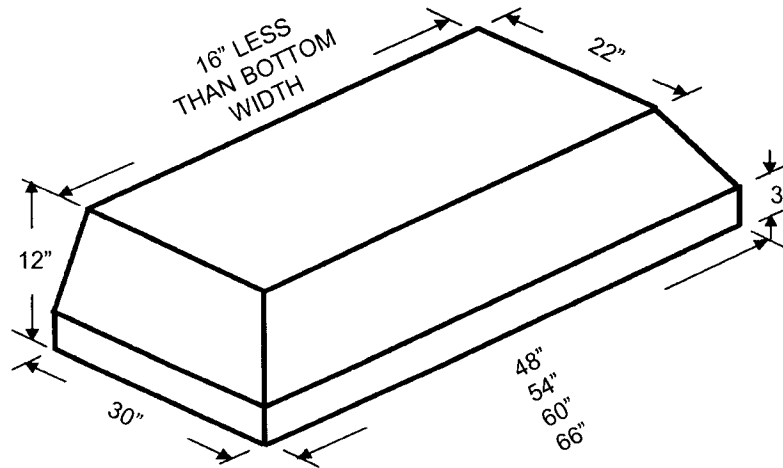
* Note: 1.0 additional amp for each halogen bulb. Equivalent CFM explained in the checklist on page 19 of literature.

Lighting: 4 fluorescent lights with T400 (Cluster) Blower models, or you may choose halogen lights (4 Halogen lights - one in each corner).

SPECIFICATIONS SUBJECT TO CHANGE WITHOUT NOTICE (rev. 04/04)

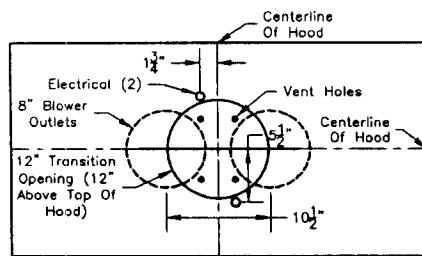
Vent Hood® ISLAND LINER INSERT SPECIFICATIONS

TPSLE/THPSLE "H" in part number indicates halogen lighting. This model not available with heat lamps.

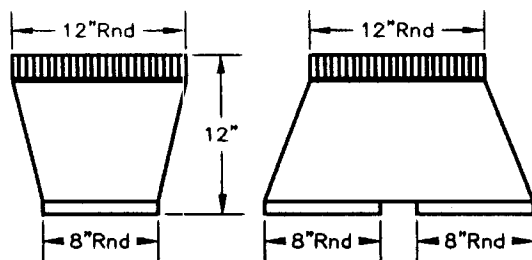


TPSLE/THPSLE

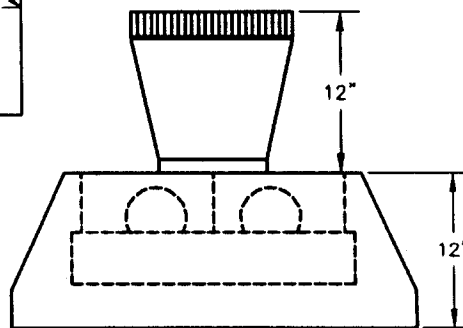
Blower Outlet Diagram (48", 54", 60", 66" Widths)



T400 Cluster Blower
Top View

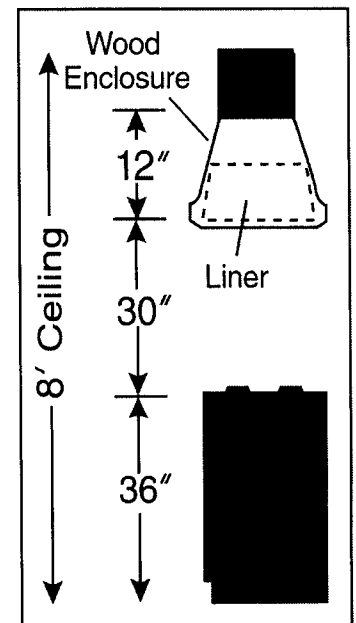


VP564 Standard Transition
(Included)



Transition Installed
Side View

Mounting Height



Electrical/Mechanical Specifications For Blower Units

Model	Motor	Type	Volts	Amps	HZ	RPM	CFM SP@0.0"	Equivalent CFM	CFM SP@0.1"	CFM SP@0.2"	CFM SP@0.3"	Minimum Round Duct Size	Square Inches
T400 Cluster	(4) 1/25	(4) Shaded Pole	115	6.8*	60	1550	1200	1800	1144	1080	960	12" (or equivalent)	113

●Note: Add .5 amp for each halogen bulb. Equivalent CFM refers to the fact that the Magic Lung blower uses centrifugal filtration units, whereas others use conventional filters. Apply this guideline when comparing blower units made by other manufacturers. Hood is available with fluorescent light (2 for each dual blower) or with halogen lights- one in each corner.