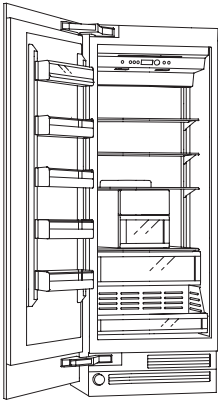


**Freezer Column**  
**With integrated ice maker**  
**Fully integrated**



**RF 411-700**

**Width 18"**

**RF 461-700**

**Width 24"**

**RF 471-700**

**Width 30"**

**Included accessories:**

ice scoop

**RF 4.1-700**

– **Fully integrated appliances.**  
 Doors open to a 115-degree angle, so that the large drawers can be pulled out completely.

– **Stainless steel, aluminum and glass interior** to keep the refrigerator naturally hygienic, just like in a professional kitchen.

– **Integrated automatic ice maker in the freezer drawer**, with water connection.

Niche height 84".  
 Net volume 7.7/11.2/14.9 cu.ft.

Electronic temperature control with digital temperature display.  
 Automatic defrosting with defrost water evaporation.  
 Open-door and malfunction warning system.  
 Energy-saving vacation mode

**Freezer compartment:**  
 Fast freezing.  
 Temperature adjustable from 7° to -9°F.  
 Four solid metal shelves, three of which are manually adjustable.  
 A large, fully extendable drawer with transparent front.  
 A regular, fully extendable drawer with transparent front.  
 Interior lighting with two spots.  
 Four solid aluminum door bins, three of which are height-adjustable, one has a front flap.

**Ice dispenser:**  
 Integrated ice maker in the freezer compartment, with ice bin.  
 Ice making capacity approx. 3.3 lbs./24 hrs.  
 Supply at normal operation approx. 8.8 lbs.  
 Ice maker can be switched off separately.  
 Water filter with saturation indication integrated in the toe-kick  
 Energy consumption 0.84/0.96/1.16 kWh/24 hrs.

**Optional accessories:**

- RA 035-030**  
 Aluminum Bottle cooler
- RA 421-110** Stainless steel door panel with handles for RF 411. Panel thickness 3/4".
- RA 421-130\*** Aluminum door panel with handles for RF 411. Panel thickness 3/4".
- RA 421-610** Stainless steel door panel with handles for RF 461. Panel thickness 3/4".
- RA 421-630\*** Aluminum door panel with handles for RF 461. Panel thickness 3/4".
- RA 421-710** Stainless steel door panel with handles for RF 471. Panel thickness 3/4".
- RA 421-730\*** Aluminum door panel with handles for RF 471. Panel thickness 3/4".

<b>RA 461-110</b> Ventilation grill
Stainless steel, for RF 411, right-hinged.
<b>RA 461-111</b> Ventilation grill
Stainless steel, for RF 411, left-hinged.
<b>RA 461-610</b> Ventilation grill
Stainless steel, for RF 461, right-hinged.
<b>RA 461-611</b> Ventilation grill
Stainless steel, for RF 461, left-hinged.
<b>RA 461-710</b> Ventilation grill
Stainless steel, for RF 471, right-hinged.
<b>RA 461-711</b> Ventilation grill
Stainless steel, for RF 471, left-hinged.
<b>RA 450-010</b> Activated charcoal filter for water filter system including saturation indication.

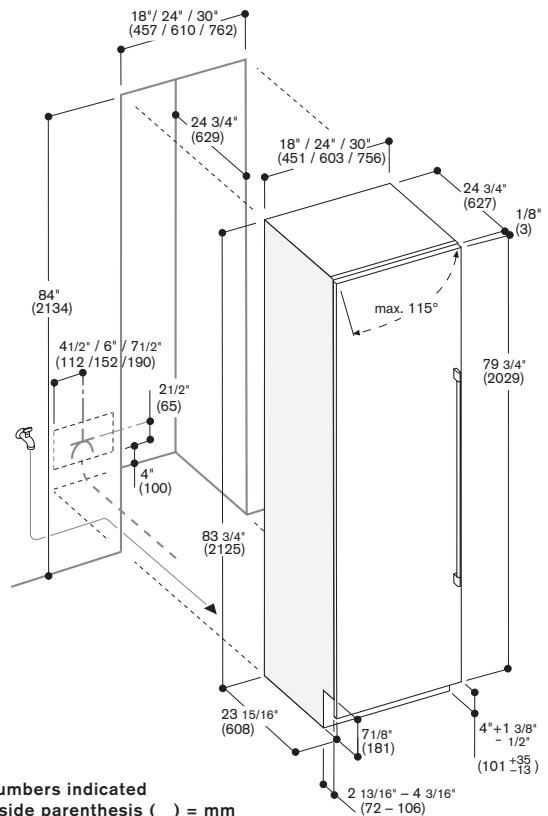
\*Later availability

**Planning notes:**

Flat hinge.  
 Door hinges on the left, reversible if necessary.  
 Plan the electric outlet behind the appliance per installation instruction.

**Rating:**

**Total connected load: 0.37/0.42/0.50 kW.**  
**Water connection.**  
**Connecting cable length 78".**  
**Supply hose length 118".**  
**Total Amps: 15.**  
**120V / 60Hz**



Numbers indicated inside parenthesis ( ) = mm