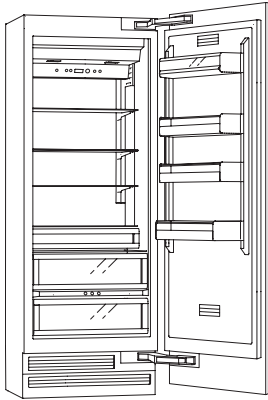


Refrigerator Column

Fully integrated



RC 462-700

Width 24"

RC 472-700

Width 30"

RC 4.2-700

– **Fully integrated appliances.**
Doors open to a 115-degree angle, so that the large drawers can be pulled out completely.

– **Temperature control drawer (32°F to 37°F)** for the storage of delicate food, such as fish, meat or vegetables.

– **Motorized glass shelf** continuously variable, even when fully loaded. For highest volume efficiency.

Niche height 84".
Net volume 13.1/17.0 cu.ft.

Electronic temperature control with digital temperature display, Dynamic cool air distribution with Multi-Flow Air System. Activated charcoal filter. Energy-saving vacation mode. Open-door and malfunction warning system.

Cooling compartment:

Net volume 13.1 cu.ft.
No-frost technology with fast cooling.
Temperature adjustable from 35° to 46°F.
Four safety glass shelves, three of which are adjustable (one motorized, two manually).
Two fully extendable drawers (low and high) with transparent front.
One continuous, fully extendable drawer with transparent front.
Two fully extendable drawers with transparent front.
Bright interior lighting with two ceiling spotlights and two halogen light pillars on the side.
Solid aluminum door bins.
One large gallon door bin.
Two height-adjustable door bins.
One bin with front flap.

Temperature control drawer:

Net volume: 2/2.6 cu.ft.
Separate automatic temperature control, with settings for poultry, fish, meat and produce.
A large, fully extendable drawer with transparent front and integrated lighting.

Energy consumption
0.40/0.44 kWh/24 hrs.

Optional accessories:

RA 421-610 Stainless steel door

panel with handles for RC 462.
Panel thickness 3/4".

RA 421-630* Aluminum door

panel with handles for RC 462.
Panel thickness 3/4".

RA 421-710 Stainless steel door

panel with handles for RC 472.
Panel thickness 3/4".

RA 421-730* Aluminum door

panel with handles for RC 472.
Panel thickness 3/4".

RA 461-612 Ventilation grill

Stainless steel, for RC 462
right hinged

RA 461-613 Ventilation grill

Stainless steel, for RC 462
left hinged

RA 461-712 Ventilation grill

Stainless steel, for RC 472
right hinged

RA 461-713 Ventilation grill

Stainless steel, for RC 472
left hinged

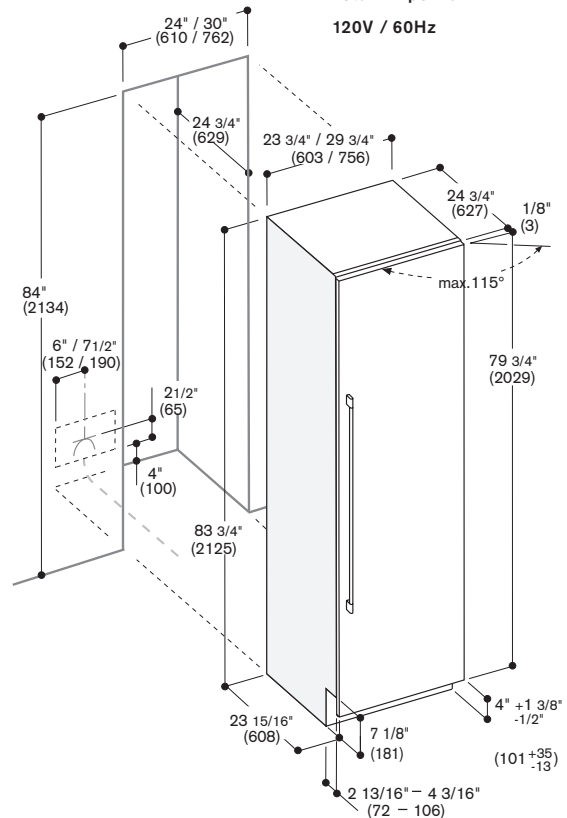
*Later availability

Planning notes:

Flat hinge.
Door hinges on the right from factory, but reversible if necessary.
Plan the electric outlet behind the appliance per installation instruction.

Rating:

Total rating: RC 472: 0.31 kW
RC 462: 0.27 kW
Connecting cable length 78".
Total Amps: 15.
120V / 60Hz



Numbers indicated inside parenthesis () = mm