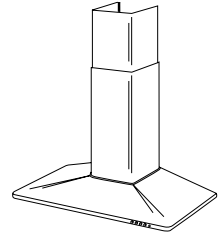


# K34 SERIES RANGE HOODS



Sleek lines and our hand-rolled, seamless-look construction produce an elegant shape that lends itself to any design setting.

## FEATURES

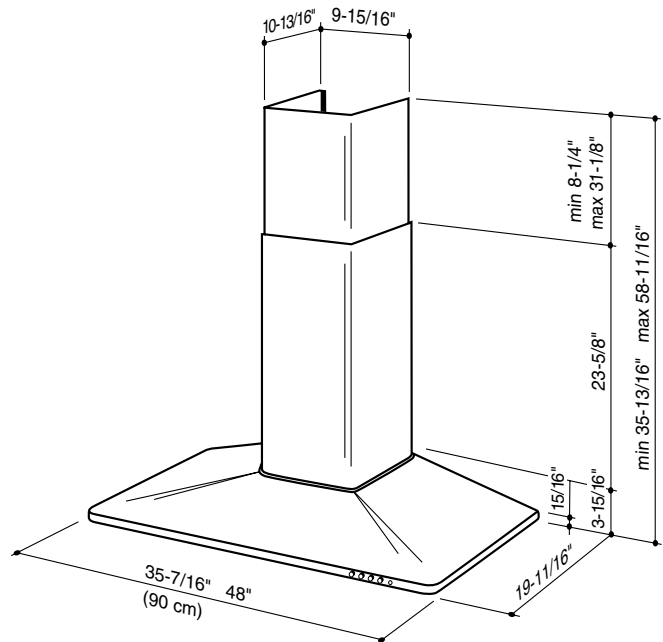
- Italian design
- Wall mount
- Finishes: Stainless Steel, White, Black
- Widths: 90cm, 48"
- Telescopic flue accommodates 8' to 10' ceilings
- 6" round duct connector/backdraft damper
- Convertible to duct-free with recirculating filter kit (purchase separately)
- Halogen lighting (90cm: 2 x 20 watt; 48": 4 x 20 watt, Type T4)
- Pushbutton control: lights, three speeds
- Single centrifugal blower
- Dishwasher-safe stainless steel/aluminum filters

## OPTIONS

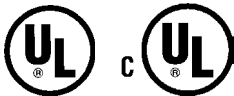
- Recirculating filter (Model No. FILTER K34)
- Replacement grease filters available
- Replacement bulb (Part No. SB02300722)

## SPECIFICATIONS

VOLTS	AMPS	CFM (L/S)	DUCT
120	3.1	600 (20)	6" (152mm)



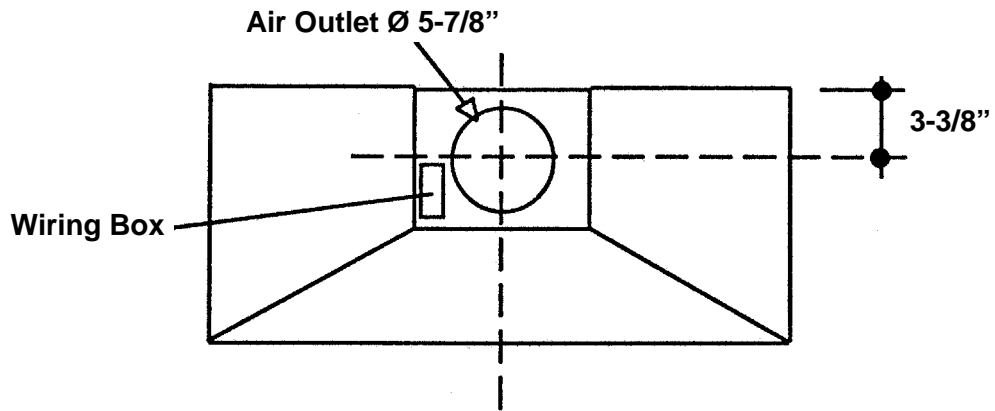
Mount range hood so bottom of hood is 24" to 30" above cooking surface.



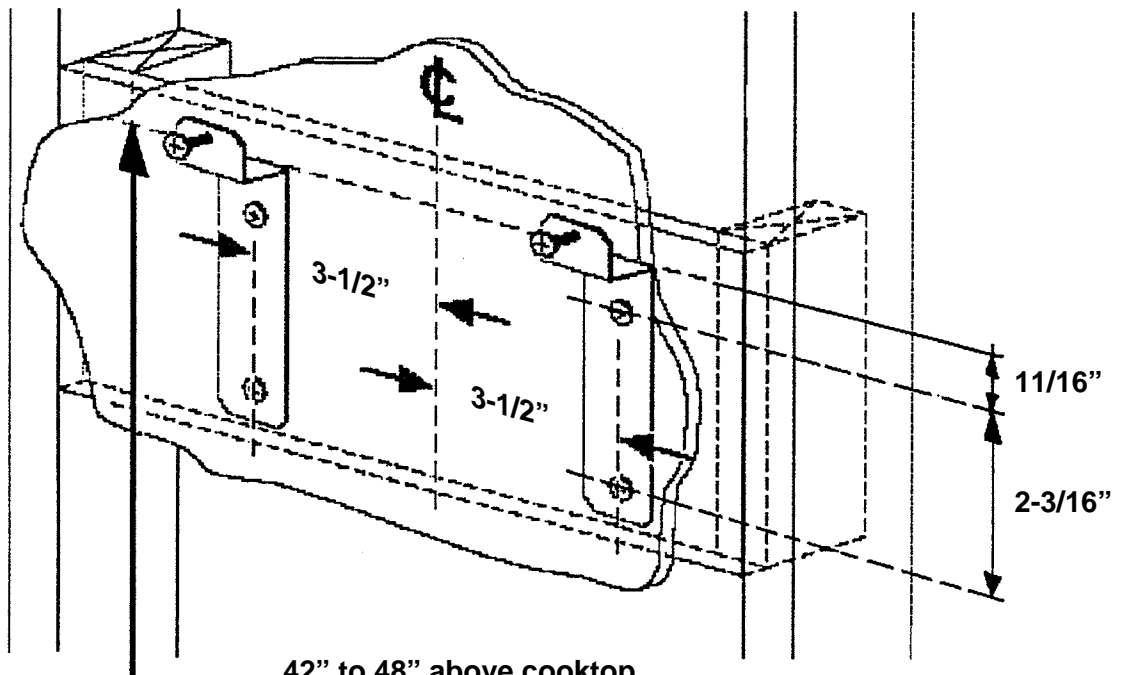
BEST BY BROAN P.O. BOX 140 HARTFORD, WISCONSIN 53027

REFERENCE	QTY.	REMARKS	Project
			Location
			Architect
			Engineer
			Contractor
			Submitted by
			Date

# K34 SERIES WIRING



# K34 SERIES MOUNTING



42" to 48" above cooktop

42" = bottom of hood 24" above cooktop  
48" = bottom of hood 30" above cooktop

Holes for fixing to the wall  $\varnothing$  8mm (5/16")



BEST BY BROAN P.O. BOX 140 HARTFORD, WISCONSIN 53027