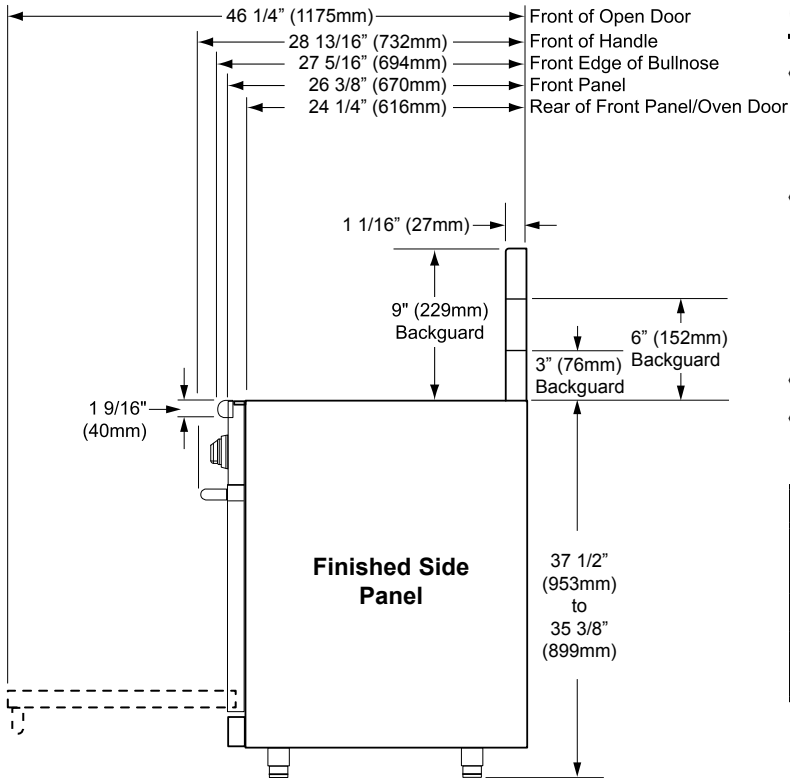


ER30D



GAS SUPPLY REQUIREMENTS

- ◇ Check your local building codes for the proper method of installation. In the absence of local codes, this appliance should be installed in accordance with the National Fuel Gas Code ANSI Z223.1.
- ◇ Be certain that the appliance being installed is correct for the gas service being provided (natural gas or LP gas). Also, if operating the range at an altitude above 4000 ft. (1219 m) make sure it is equipped for high altitude operation. Refer to the range data plate and the table on page 3 to determine the correct model.
- ◇ See the table below for gas supply pressure requirements.
- ◇ The regulator inlet accommodates a 3/4" gas line. The range ships with a 1/2" to 3/4" adapter connected to the regulator.

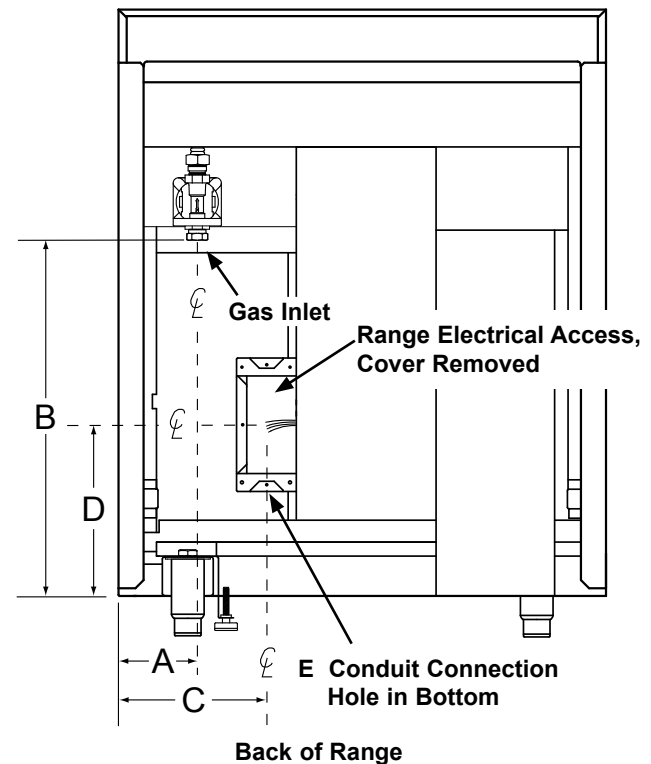
GAS SUPPLY PRESSURE REQUIREMENTS		
Gas Type	Manifold Pressure	Minimum Gas Supply Pressure
Natural Gas	5" Water Column	6" Water Column
Liquid Petroleum (LP)	10" Water Column	11" Water Column

ELECTRICAL REQUIREMENTS

It is the owner's responsibility to ensure that the electrical connection of this appliance is performed by a qualified electrician. The electrical installation, including minimum supply wire size and grounding, must be in accordance with the National Electric code ANSI/NFPA 70-1993* (or latest revision) and local codes and ordinances. A copy of this standard may be obtained from:

National Fire Protection Association
1 Batterymarch Park
Quincy, Massachusetts 02269-9101

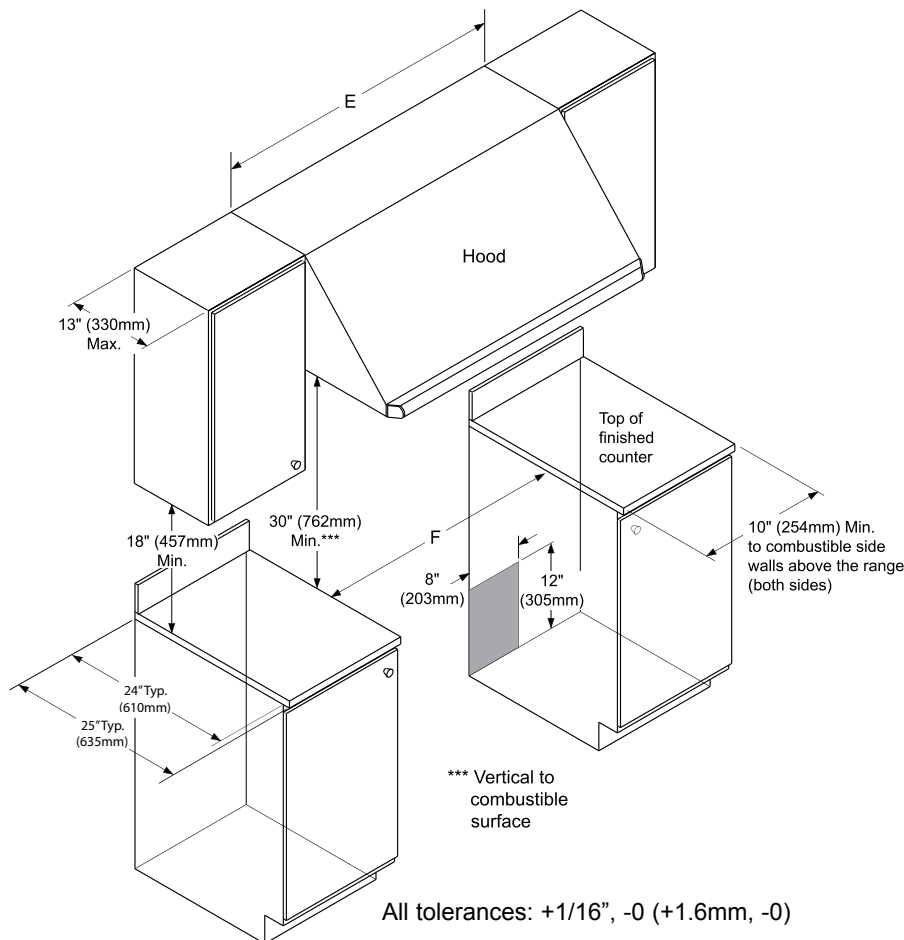
- ◇ The correct voltage, frequency, and amperage must be supplied to the appliance from a separate, grounded, circuit that is protected by a properly sized circuit breaker or time delay fuse. Refer to the chart below for requirements.
- ◇ A 4-wire connection (not provided) is required to connect the range to the junction box. The minimum wire gauge suggested by Dacor® is 10 AWG. Consult local building codes for the type and minimum wire gauge to use.
- ◇ Suggested wiring color code: Black, white, red, and green. The wiring needs to be long enough to allow the range to be pulled out from the wall for service, while remaining connected.



ELECTRIC CIRCUIT REQUIREMENTS		
Range Model	Circuit Required	Total Connected Load
ER30D	240VAC, 60Hz, 30A	5.6kW (23A)

GAS - ELECTRICAL ACCESS DIMENSIONS				
"A"	"B"	"C"	"D"	"E"
4 7/8"	21 3/4"	9 1/16"	10 1/2"	7/8"

ER30D



CUT-OUT DIMENSIONS	
"E"	"F"
36" (914mm)*	30 1/16" (916mm)*
30" (762mm)**	
* Recommended	
** Minimum	

Cabinet/Cut-out Dimensions

Cabinet Layout

- ◇ Carefully check the location where the range is to be installed. For best performance, the range should be placed away from drafts that may be caused by doors, windows, and heating and air conditioning outlets.
- ◇ To reduce the risk of personal injury and to reduce accumulated smoke in the room, Dacor® strongly recommends installing a range hood. A range hood should project horizontally a minimum of five (5) inches beyond the face of the cabinets.
- ◇ The range may be installed flush to the rear wall.
Dacor recommends installing a non-combustible material on the rear wall above the range and up to the vent hood. If a non-combustible surface is not installed, a backguard must be installed. It is not necessary to install non-combustible materials behind the range below the countertop height.
- ◇ Any openings in the wall behind the appliance or in the floor underneath it must be sealed.
- ◇ The minimum distance from the sides of the range above the countertop to combustibles side walls must be at least 10 inches.
- ◇ All dimensions shown are based on standard American cabinets, 36 inches (914mm) high at the finished countertop by 24 inches (610mm) deep, with a 25 inch (635mm) overall countertop depth. When installing the range into nonstandard cabinets, minimum clearances shown in the diagrams must be maintained.