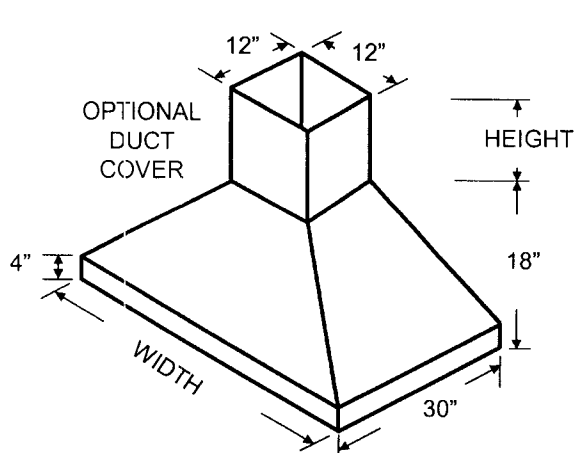
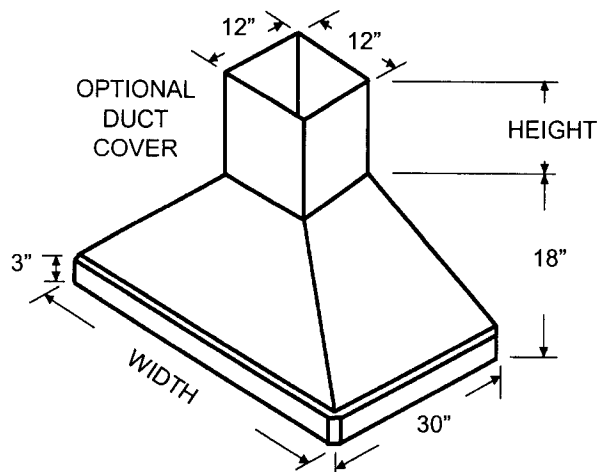


# Vent Hood<sup>®</sup> EUROSTYLE ISLAND RANGE HOOD SPECIFICATIONS

EPI18/EPIH18/SEPI18/SEPIH18 "H" in part number indicates halogen lighting. These models not available with heat lamps. Shown with optional duct cover (sold separately). Optional duct covers available in standard and custom sizes.

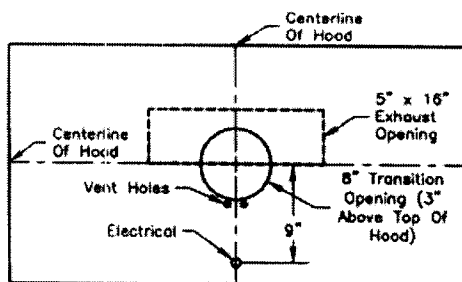


EPI18/EPIH18

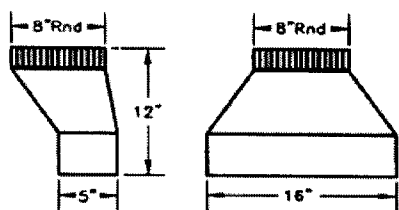


SEPI18/SEPIH18

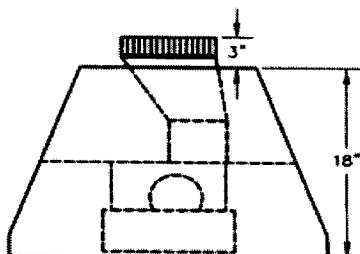
## Blower Outlet Diagram (36" - 48" Widths)



T200 Dual Blower  
Top View

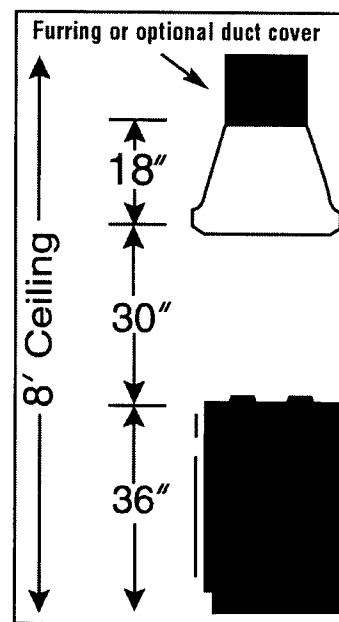


VP546 Standard Transition  
(Included)



Transition Installed  
Side View

## Mounting Height



## Electrical/Mechanical Specifications For Blower Units

Model	Motor	Type	Volts	Amps	HZ	RPM	CFM SP@.0"	Equivalent CFM	CFM SP@.0.1"	CFM SP@.0.2"	CFM SP@.0.3"	Minimum Round Duct Size	Square Inches
T200 Dual	(2) 1/25	(2) Shaded Pole	115	3.4●	60	1550	600	900	572	540	480	8" (or equivalent)	50

●Note: Add .5 amp for each halogen bulb. Equivalent CFM refers to the fact that the Magic Lung blower uses centrifugal filtration units, whereas others use conventional filters. Apply this guideline when comparing blower units made by other manufacturers. Hood is available with fluorescent light (2 for each dual blower) or with halogen lights- one in each corner.