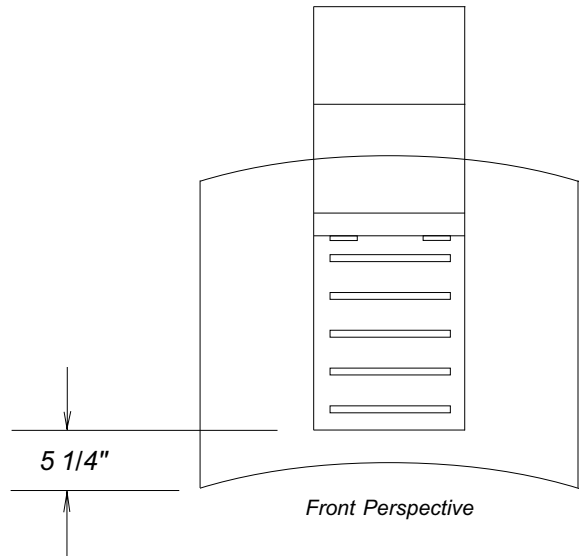
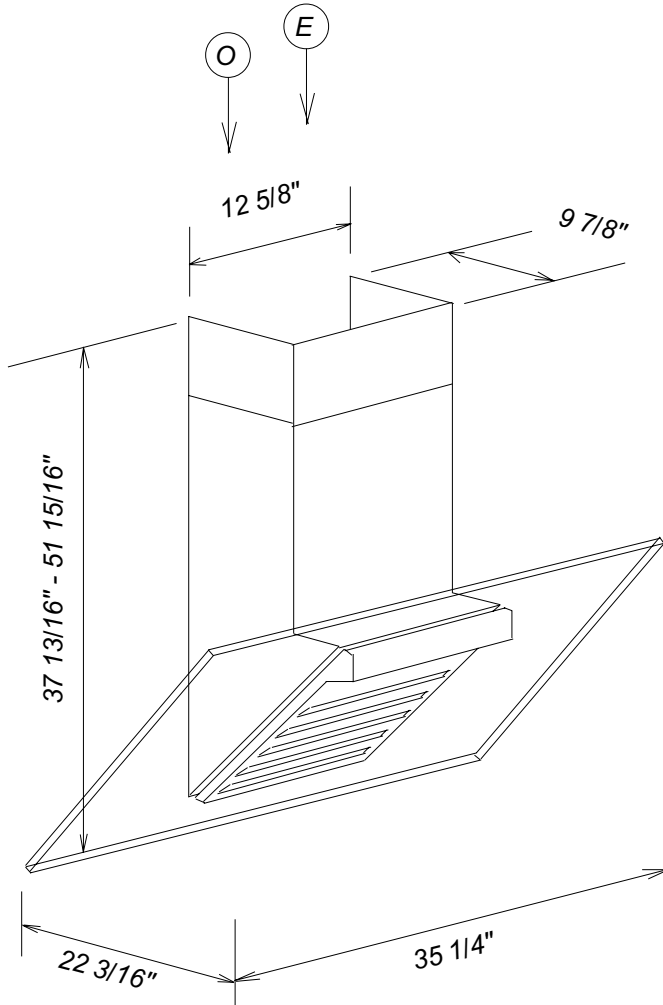


Product Dimensions

Decorator Wall Hood

DA289



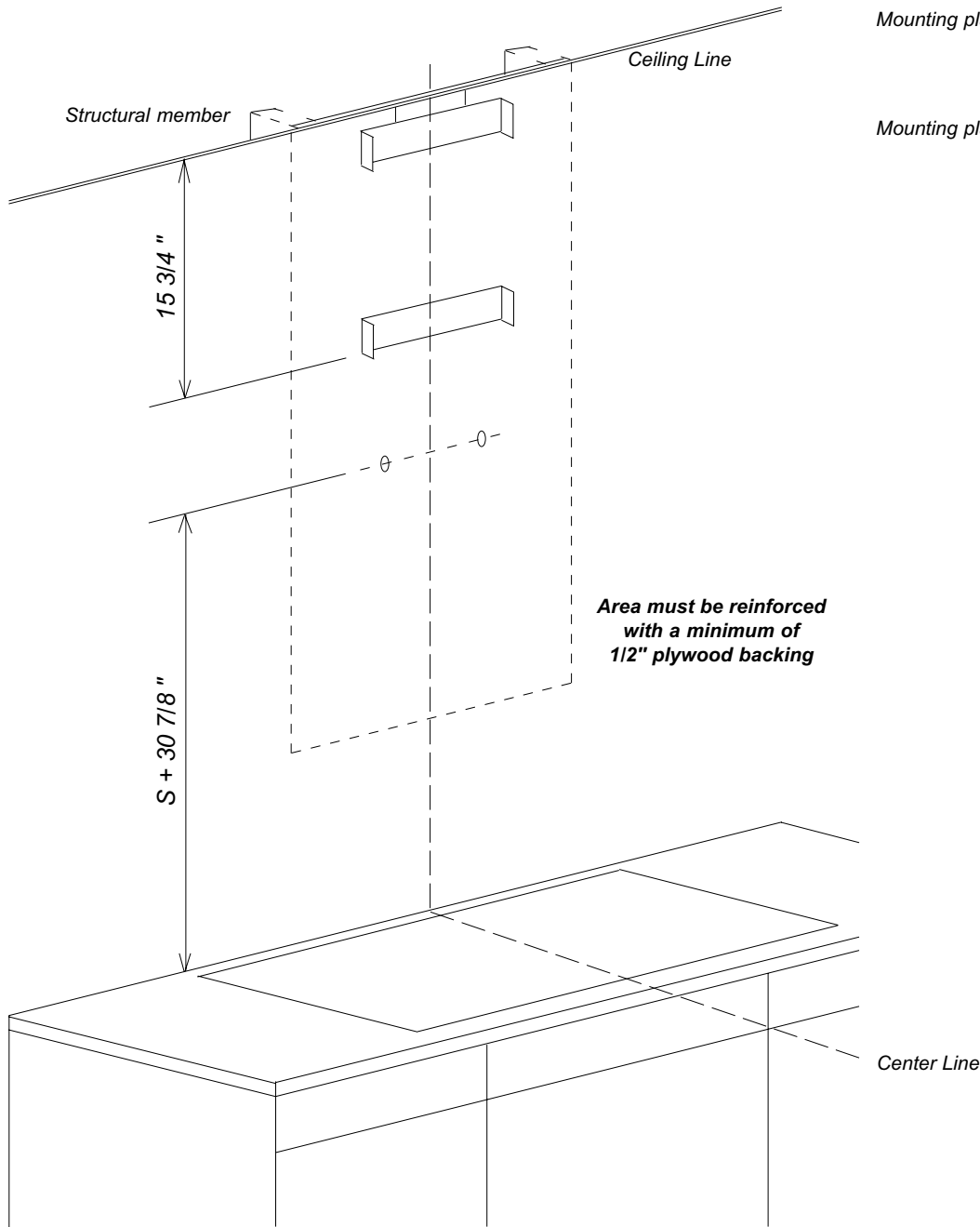
Location Codes
<p><i>E</i> - 110 Volt - 15 Amp 3-wire molded plug power supply connects through top or rear of chimney.</p> <p><i>O</i> - Standard 110 Volt Outlet</p>
Notes
<ul style="list-style-type: none"> • All installations must be done in accordance with local codes. • 6" duct connects to blower system inside chimney.

NOTE: Drawing is not to scale.
SPECIFICATION SHEETS 100101

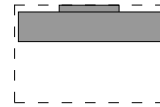
Installation Dimensions

Decorator Wall Hoods

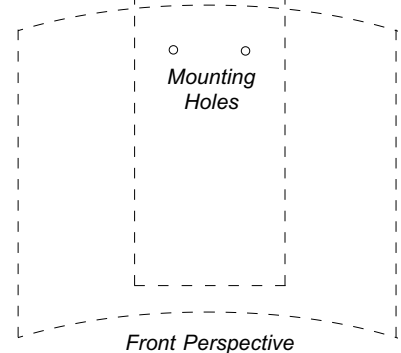
DA289



Mounting plate "B"



Mounting plate "C"



Notes

- Center unit over cooking surface
- Distance "S" is determined by the cooking surface. Minimum distance "S" is:
 - 14 3/8" for all surfaces
- Area behind mounting plates **MUST** be reinforced using a minimum of 1/2" plywood. Reinforcing material should be affixed to structural wall members