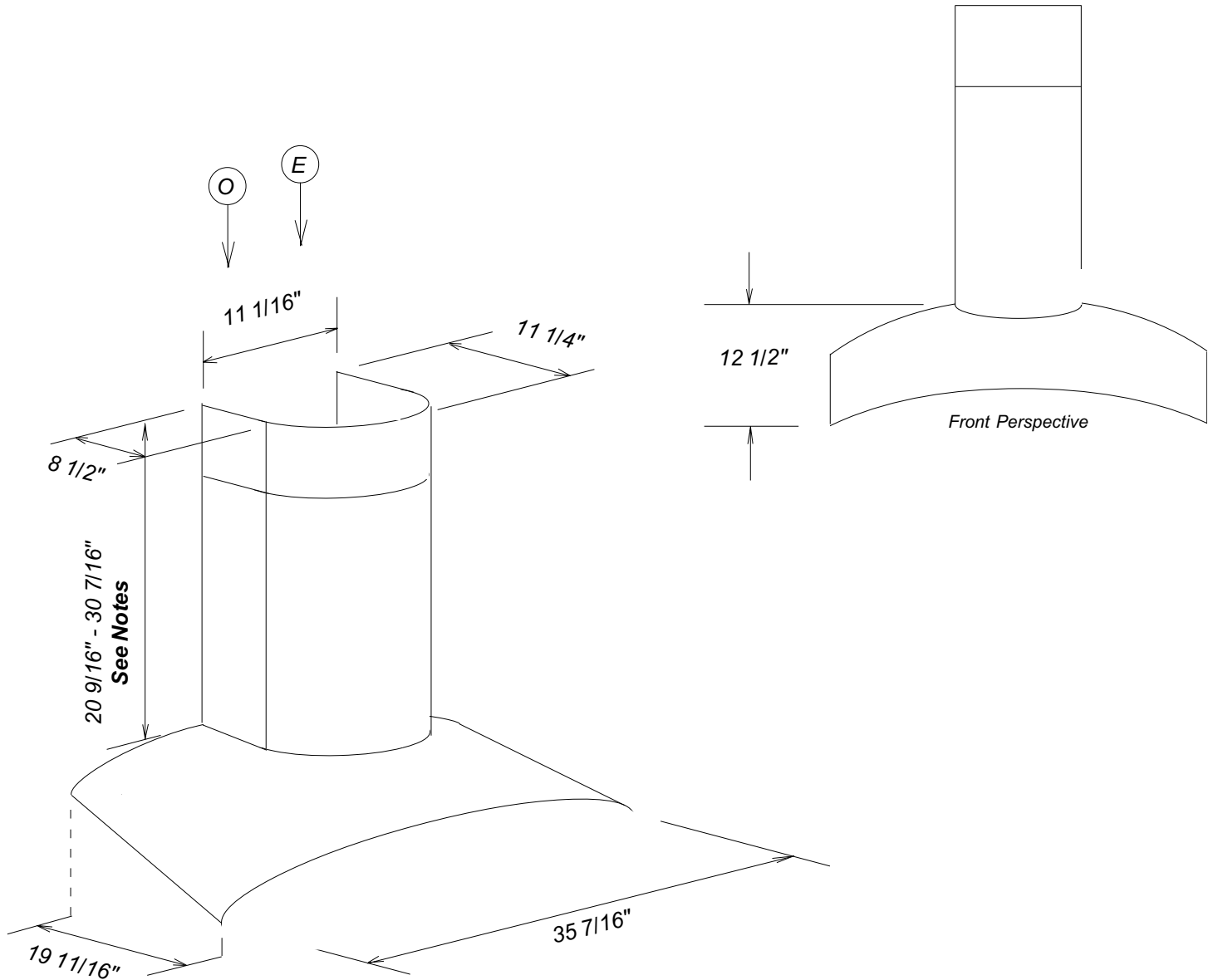


Product Dimensions

Decorator Wall Hood

DA249-2



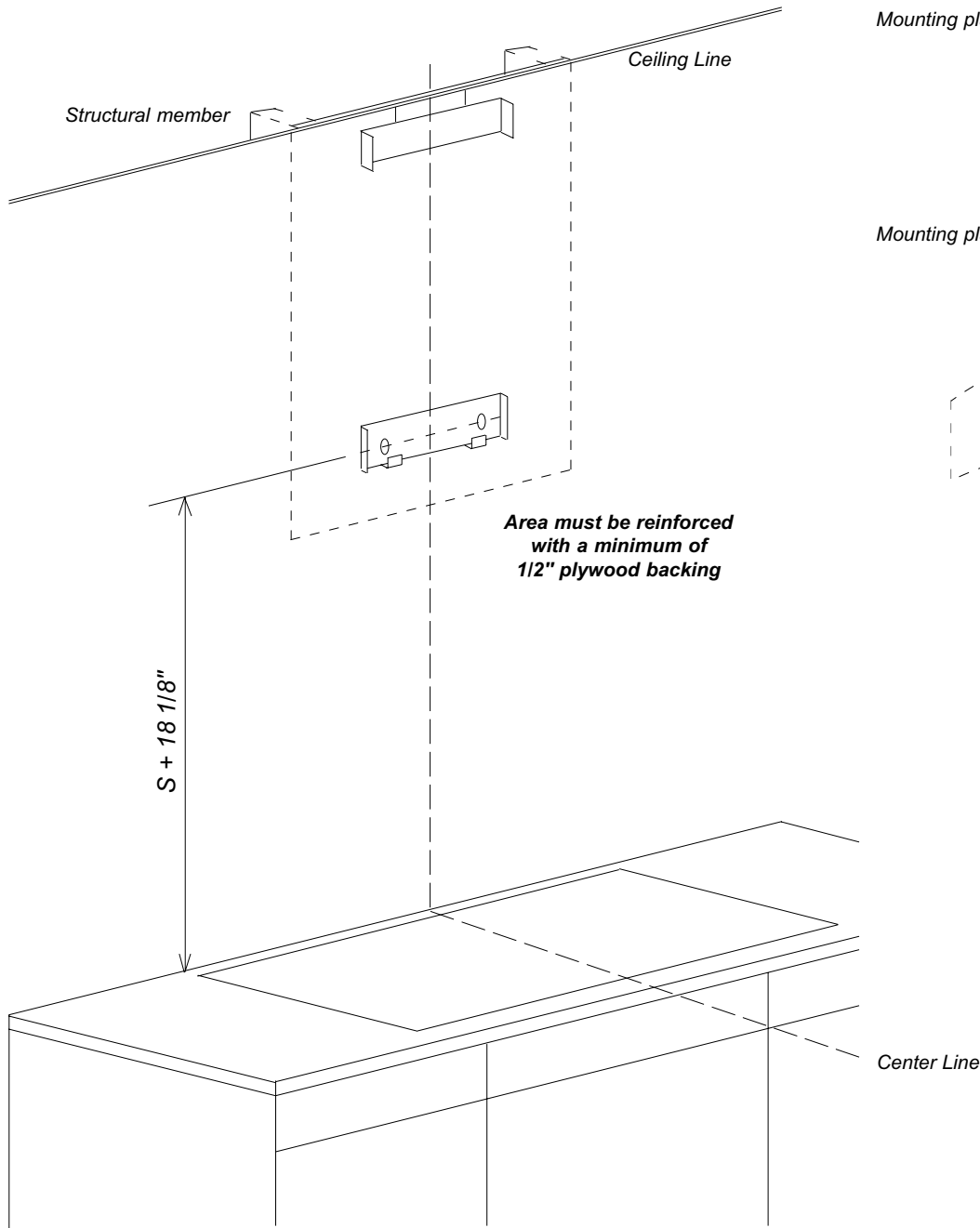
| Location Codes |
|--|
| <p>E - 110 Volt - 15 Amp 3-wire power supply connects through top or rear of chimney.</p> <p>O - Standard 110 Volt Outlet</p> |
| Notes |
| <ul style="list-style-type: none"> • All installations must be done in accordance with local codes. • Recirculation: $25 \frac{5}{16}$" - $34 \frac{3}{8}$" • 6" duct connects to blower system inside chimney. |

NOTE: Drawing is not to scale.
SPECIFICATION SHEETS 100101

Installation Dimensions

Decorator Wall Hoods

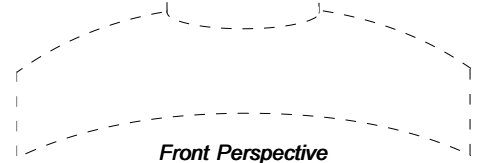
DA249-2



Mounting plate "A"



Mounting plate "B"



Notes

- Center unit over cooking surface
- Distance "S" is determined by the cooking surface. Minimum distance "S" is:
 - 18" for electric surfaces
 - 26" for gas surfaces
- Area behind mounting plates **MUST** be reinforced using a minimum of 1/2" plywood. Reinforcing material should be affixed to structural wall members

NOTE: Drawing is not to scale.
SPECIFICATION SHEETS 100101