

This Data Sheet Includes Information On

**Marvel**

• **Product Model Number (s):**

Indoor/Outdoor Draft Beer Dispenser:  
60HK-SS-F

• **Dimensions (Actual Size)**

- Overall depth including handle: 26 1/4"
- Overall depth NOT including handle: 24 1/8"
- Depth NOT including door: 22"
- Height at full leg adjustment: 35"
- Height at 0" leg adjustment: 34 1/4"
- Height without legs installed: 34"
- Width: 23 7/8"
- Toe Kick height: 3"
- Door swing at 90°: 25 1/2"
- Recommended opening width: 24"
- Recommended opening depth: 24" min.
- Recommended opening height: 34 1/2"

• **Additional Information**

- Draft Tower Height: 151/4".
- Electrical requirements: 120 volts, 3 amps running max. 15 amp circuit required.
- Locate a 3-prong grounded receptacle in one of three locations: 1) On the wall in the adjacent cabinet opening. 2) Flush on the back wall of the refrigerator opening (add 1" to the overall depth of the unit to accommodate the thickness of the plug). 3) Recessed 1" into the back wall of the refrigerator opening.
- Draft arm can be mounted to countertop.
- Unit can be built-in under countertop with zero clearance at top, back and sides.
- Door is reversible in field.
- Shipping weight: 140 pounds.
- Accommodates 1/4 or 1/2 keg.
- U.L. Listed.
- Does not accept custom panels.
- 60HK-SS-F : Stainless Cabinet, stainless full wrap door.

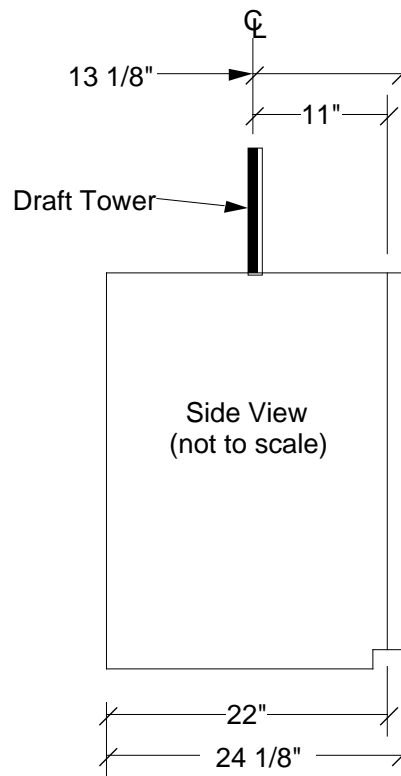
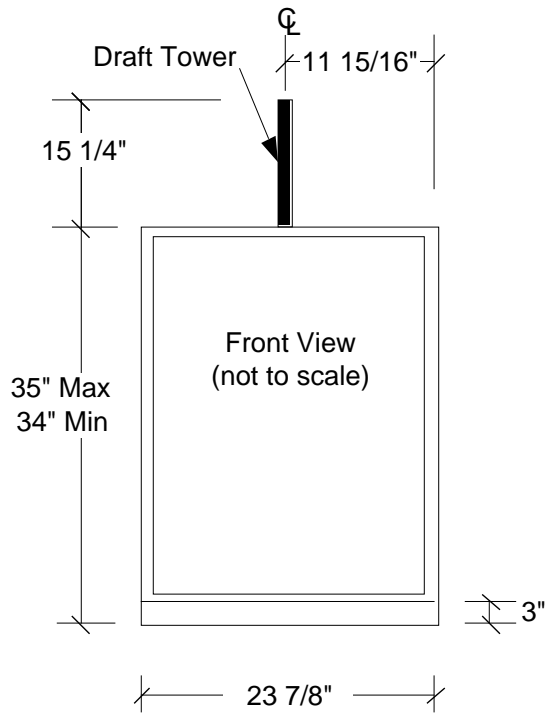
**Accessories:**

- Casters: P/N 42244041.
- Protective Cover: P/N 42243155.
- Built in Drain system: P/N 42242374.
- Tap cleaning kit: P/N 42242373.
- Lo-Boy Sankey Tap Kit: P/N: 42242372
- Drip Tray: P/N 42242399
- Floor Shield: P/N 42242400

Subject to change without notice. This system is designed to be updated daily if necessary. Dimension Express is not responsible for use of superseded, voided, or outdated data sheets. Because of the difficulty or impracticability of determining actual damages, liability of Dimension Express shall not exceed \$50.00.

Copyright © Dimension Express, 2004.

318



• NEVER reuse Data Sheets. Data Sheets are subject to change without notice. Dimension Express is a FREE service bureau and is updated daily, it makes far more sense to spend the time necessary to request new Data Sheets for each project, as opposed to the problems, time, costs, and risks associated with reusing old Data Sheets.

• Call Dimension Express if you have any questions at (775) 833-3633 •  
• Always refer to a current Code at a Glance or manufacturer directory •  
• Data Sheet codes change on the first of odd numbered months at 12:01am •

BN9 • A318 • 31004 • 041504 • 141836 • 43719