

MODEL:

ZSA-M90S	90 cm.
finish	Stainless

PERFORMANCE

cfm	685 cfm
sones (max)	6
input	115V - 60Hz

FEATURES

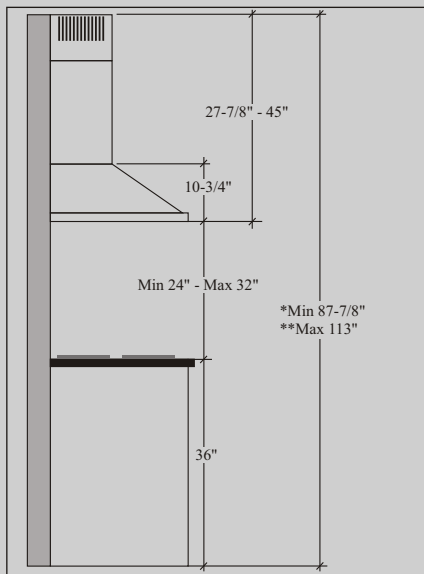
halogen lamps	2
dual level lighting	n/a
push button controls	yes
slide controls	n/a
6 var. speed	n/a
3 var. speed	yes
15 min. delay off	n/a
filter change indicator	n/a
filter clean indicator	n/a
metal casing blowers	yes
aluminum filters	yes
adjustable depth	n/a

DUCT OPTIONS

vertical ducting	6 inch.
rear ducting	n/a
telescopic option	yes
ductless option	yes

ACCESSORIES

carbon filters (2)	ZOF-C022
recirculating air-diverter	N/A
replacement metallic filters (2)	ZOF-M032
replacement lights (2)	E27 50W



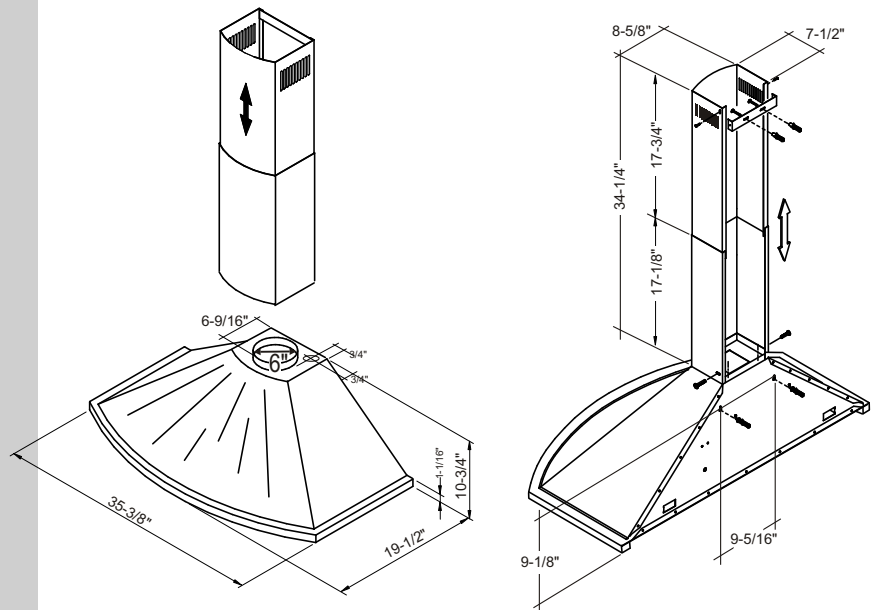
*Minimum ceiling clearance 87-7/8" at 24" hood mounting height.
 **Maximum ceiling clearance 113" at 32" hood mounting height.

SAVONA

ZSA - M90S



ZEPHYR
 www.zephyronline.com



E U R O P A C O L L E C T I O N