

MODEL:

ZPY-E30(B,W,S)	30 inch.
ZPY-E36(B,W,S)	36 inch.
color	blk/ wht/ stainless

PERFORMANCE

cfm	400 cfm
sones (max)	6
input	115V - 60Hz

FEATURES

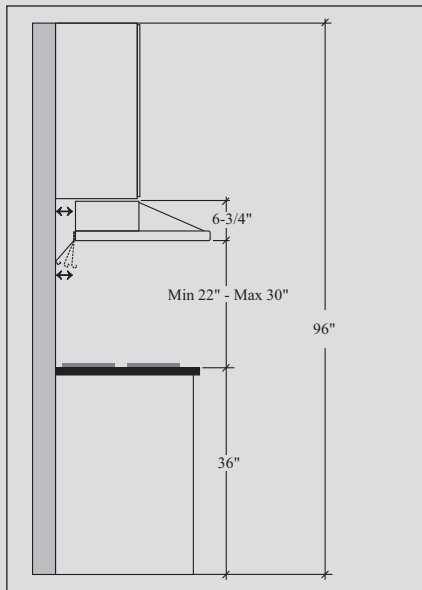
halogen lamps	2
dual level lighting	
touch controls	
slide controls	•
6 var. speed	
3 var. speed	•
15 min. delay off	
filter change indicator	
filter clean indicator	
metal casing blowers	
aluminum filters	•
adjustable depth	•

DUCT OPTIONS

vertical ducting	5 inch.
rear ducting	4 inch.
telescopic option	
ductless option	•

ACCESSORIES

carbon filters (2)	Z0F-C012
recirculating air-diverter	
replacement filters- 30" (2)	Z0F-M032
replacement filters- 36" (3)	Z0F-M033
replacement lights (2)	E27 50W



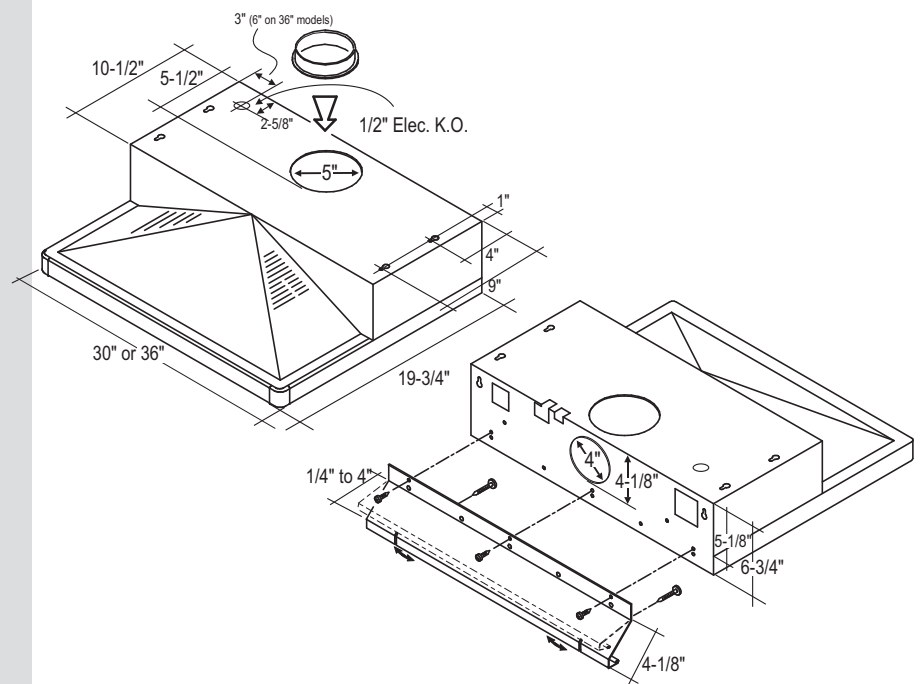
*Optimum mounting height at 26-27" from top of counter to hood bottom (62-63" from floor to hood bottom)

PYRAMID

ZPY - E30(B,W,S)
ZPY - E36(B,W,S)



ZEPHYR
www.zephyronline.com



E U R O P A C O L L E C T I O N