



# ELICA

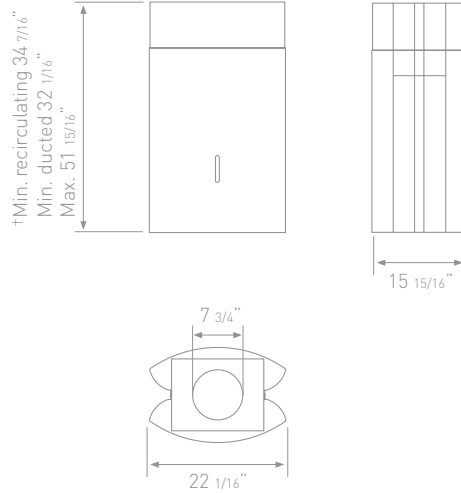
COLLECTION

## MENHIR

David Lewis offers his thoroughly modern interpretation of the island hood, inspired by the prehistoric stone monuments, or menhirs, that still stand today throughout northern France, Iberia, and the British Isles. To achieve his vision of strength, integrity, and grace, Lewis suspends two convex stainless steel wings side-by-side to envelop the vent assembly in the simplest of hood structures. With no visible seams, the panels are joined imperceptibly to form Menhir's elegant and distinctive vertical channel. Discreet halogen lighting completes the picture, setting the activities on and around the island warmly aglow.



# ELICA COLLECTION



†Ductless (recirculating); lower holes exposed.  
Note: if necessary order the proper duct cover extension kit.

## MENHIR

ISLAND

MODEL	EME-E22AS
<b>SIZE</b>	22"
<b>NET WIDTH</b>	22 1/16"
<b>PERFORMANCE</b>	
Internal Blower CFM	600
Sones	6
Boost Sones	9
<b>COLOR/FINISH</b>	
Stainless Steel w/Glass	S
<b>FEATURES &amp; ACCESSORIES</b>	
Controls	Control Ball
Speed Levels	3
Boost Speed	Yes
Lighting	Halogen 20w 12v x 4
Dual Level Lighting	Yes
RF Remote	Yes
Passive Silencer	Yes
<b>DUCT SPECIFICATIONS</b>	
Ducting	8"
Recirculating	Yes



The ingenious conical remote control is more than a conversation piece—it puts you in charge of power and light from a distance.

**Mounting Heights (Ducted)**  
(Louver holes hidden)

Min. ceiling height 7'8". Hood mounted 24" above cooking surface; 60" from floor.

Max. ceiling height 10'. Hood mounted 32" above cooking surface; 68" from floor.

**Mounting Heights (Recirculating)**  
(Louver holes exposed)

Min. ceiling height 7'10". Hood mounted 24" above cooking surface; 60" from floor.

Max. ceiling height 10'. Hood mounted 32" above cooking surface; 68" from floor.