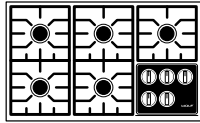


# WOLF 36" GAS COOKTOPS



Model CT36G  
36-inch Gas Cooktop

## PLANNING AND DESIGN INFORMATION

The 36-inch cooktops are available in classic stainless steel as well as the premium finish of platinum stainless steel and are offered in natural & LP gas.

## SPACE REQUIREMENTS

The finished cut-out dimensions you need to incorporate into your plans are noted in the illustration shown below. We have minimized the information contained in the illustrations, concentrating on the critical information you must plan into your installation.

A Wolf single 36-inch built-in oven may be installed below these cooktops. Refer to the illustrations for specifics on cut-out dimensions and placement of gas and electrical. Also refer to the respective oven section and be aware of the depth of the individual cooktop when planning for this installation.

**IMPORTANT NOTE:** Wolf gas cooktops are designed and agency approved for use with Wolf built-in ovens only. The cooktop nominal width must match the built-in oven nominal width.

**IMPORTANT NOTE:** It is recommended that the cabinet width be wider than the nominal cooktop width – 39-inch cabinet for the 36-inch cooktop.

**IMPORTANT NOTE:** Where multiple 15-inch modules are installed side-by-side, or using cooktops next to other cooktops, refer to integrated cooktops in this section.

These cooktops can also accommodate the Wolf downdraft ventilation system. Please refer to the Ventilation Section for specifics.

## ELECTRICAL AND GAS REQUIREMENTS

The Wolf gas cooktops are designed to operate on natural gas at 5" water column pressure or LP gas at 10" water column pressure. They are supplied with a 1/2" NPT male gas connection at the right rear corner on the bottom of the cooktop. The male connector exits the unit straight down and you are supplied with a regulator with two female connectors.

The electric ignition system is a safe, convenient and reliable manner to provide ignition for the burners. However, you need to make provisions for a separate 120 volt, 60 Hz power supply. The service should have its own 15 amp circuit breaker and a properly grounded three-prong receptacle should be located within the reach of the six-foot power cord.

The Wolf gas cooktops function up to 8,000 feet in altitude without any adjustment.

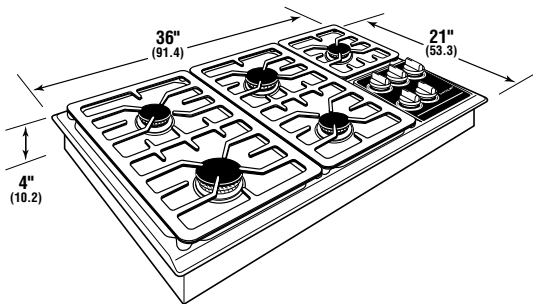
You must follow all National Electrical Code and gas regulations. In addition, be aware of local codes and ordinances when installing your services.

Where a gas cooktop is installed above cabinets, the gas and electrical placement is not critical. A grounded outlet needs to be placed within four feet of the right rear of the cooktop.

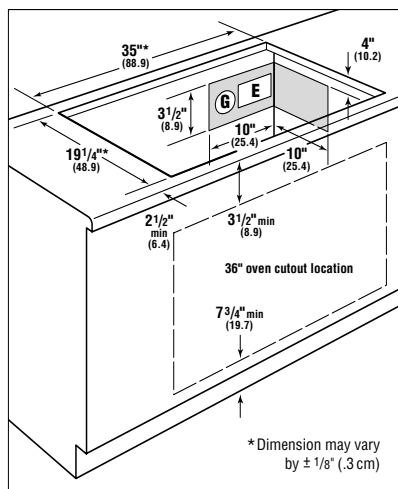
The gas service may be supplied through the floor, if the cooktop is not installed above an oven. Refer to the illustration under integrated in this section.

**IMPORTANT NOTE:** Where an oven is installed below the cooktop, the gas and electrical conduit should run through the adjacent base cabinet within the shaded area shown in the illustration. The top right-hand area in the oven cavity is available, but will make installation difficult. The bottom cabinet support must be able to support 250 lbs.

Where a 36-inch oven is installed below a cooktop, it is recommended that an additional three inches be added to the cabinet base to ease the use of controls and oven door.



36-inch Gas Cooktop Overall Dimensions  
Model CT36G



Cut-out dimensions, electrical and gas placement for 36-inch gas cooktop.