

WOLF 30" ELECTRIC COOKTOPS

PLANNING AND DESIGN INFORMATION

From a planning perspective, your selection process is made easier by the three different sizes you have to choose from. Your creativity is opened wider by the three different finishes that are available for the trim. The black ceramic glass top is beautifully complemented by the classic stainless steel and the premium finishes of platinum stainless and carbon stainless steel on the 30-inch cooktops.

The illustration shows you the finished space you need to accommodate in your layout.

IMPORTANT NOTE: If these electric cooktops are to be used with any combination of additional cooktop units or modules with a filler strip, the cut-out increases. The cooktop cut-out width will be 29 inches for the 30-inch cooktop.

IMPORTANT NOTE: Where multiple 15-inch modules are installed side-by-side, or using cooktops next to other cooktops, refer to integrated cooktops in this section.

These cooktops can also accommodate the Wolf downdraft ventilation system. Please refer to The Ventilation Section for specifics.

SPACE REQUIREMENTS

The finished cut-out dimensions you need to incorporate into your plans are noted in the illustrations on the following page. We have minimized the information contained in the illustrations, concentrating on the critical information you must plan into your installation.

A Wolf single 30-inch built-in oven may be installed below these cooktops. Refer to the illustration for specifics on cut-out dimensions and placement of electrical. Also refer to the respective oven section and be aware of the depth of the individual cooktop when planning for this installation.

IMPORTANT NOTE: Wolf electric cooktops are designed and agency approved for use with Wolf built-in ovens only. The cooktop nominal width must match the built-in oven nominal width.

IMPORTANT NOTE: It is recommended that the cabinet width be wider than the nominal cooktop width – 33-inch cabinet for the 30-inch cooktop.

ELECTRICAL REQUIREMENTS

The 30-inch cooktop requires a separate grounded three-wire 240 volt, 40 amp service on its own circuit breaker.

The 30-inch electric cooktop is provided with a four-foot flexible three-wire conduit that can make a connection at a junction box.

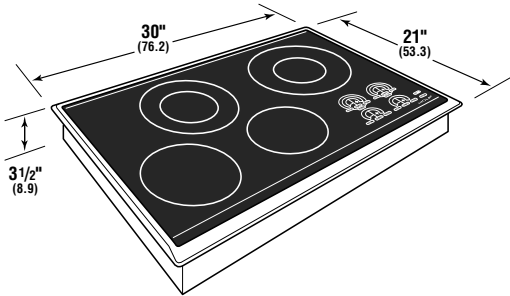
At 240 volts the electric cooktops are rated as follows: 30-inch – 6.8 Kw.

At 208 volts the electric cooktops are rated as follows with the minimum amp service noted: 30-inch – 5.2 Kw and 30 amp.

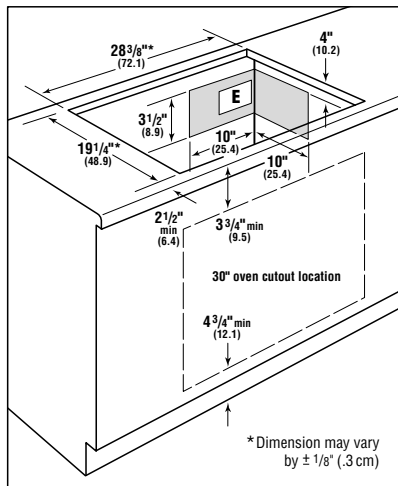
You must follow all National Electrical Code regulations. In addition, be aware of local codes and ordinances when installing your service.

Where an electric cooktop is installed above cabinets, the electrical placement is not critical.

IMPORTANT NOTE: Where an oven is installed below the cooktop, the electrical conduit should run through the adjacent base cabinet within the shaded area shown in the illustration. The top right-hand area in the oven cavity is available, but will make installation difficult. The bottom cabinet support must be able to support 250 lbs.



30-inch Electric Cooktop Overall Dimensions
Model CT30E



Cut-out dimensions and electrical placement for 30-inch electric cooktop.