

**DOWN DRAFTS** INSTALLATION INSTRUCTIONS



# IMPORTANT INFORMATION

**IMPORTANT NOTE: This installation must be completed by a qualified installer or service agency.**

Before you begin installation, read these instructions completely and carefully.

- **INSTALLER:** please retain these instructions for local inspector's reference, then leave them with the homeowner.
- Please read the entire installation instructions prior to installation.
- **HOMEOWNER:** please read and keep these instructions for future reference.
- Please read the entire Use and Care Information book prior to use.

As you follow these installation instructions, take particular note of the **CAUTION** and **WARNING** symbols when they appear. This information is important for the safe and efficient installation of the Wolf downdraft system.

**⚠ CAUTION**  
*signals a situation where minor injury or product damage may occur if you do not follow instructions.*

**⚠ WARNING**  
*states a hazard that may cause serious injury or death if precautions are not followed.*

In addition, the printed instructions may signal an **IMPORTANT NOTE**, which highlights information that is especially important for a problem-free installation.

This appliance must be installed in accordance with all National Electrical Codes, as well as all state, municipal and local codes. The correct voltage, frequency and amperage must be supplied to the appliance from a dedicated, grounded circuit that is protected by a properly sized circuit breaker or time delay fuse. The proper voltage, frequency, and amperage ratings are listed on the product rating plate.

Record the model and serial numbers before installing the downdraft. Both numbers are listed on the rating plate, located above the airbox on front side of unit.

**Model #** \_\_\_\_\_

**Serial #** \_\_\_\_\_

If you have questions concerning the installation of this product, call Wolf Appliance Company, LLC at (800) 332-9513.

If you received a damaged downdraft you should immediately contact your dealer or builder.

# DOWNDRAFT VENTILATION

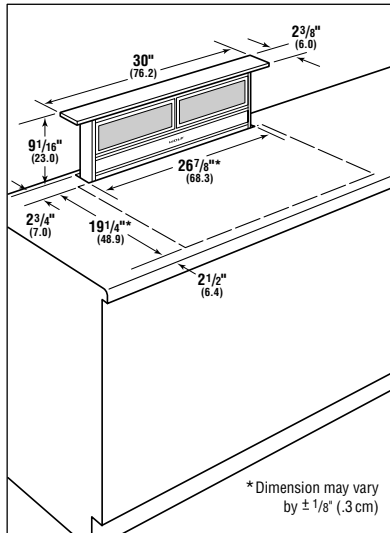
## DIMENSIONS

**IMPORTANT NOTE:** The downdraft systems are recommended for use with the Wolf gas and electric cook-top instruments. *They are NOT recommended for the Wolf ranges and rangetops.*

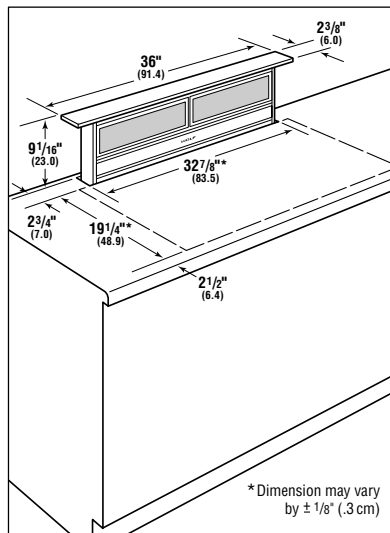
Downdraft systems available through Wolf come in the following sizes.

**Downdraft** – 30 and 36-inches wide (2-3/8 inches deep)

**IMPORTANT NOTE:** To incorporate a downdraft system and a Wolf cook-top, you must allow for a minimum 25-inch flat counter space from front to back.



30" Downdraft overall dimensions



36" Downdraft overall dimensions

## BLOWER OPTIONS

**IMPORTANT NOTE:** Please refer to installation information and rating information provided with all accessories and blower options for further details.

Wolf downdraft Models DD30I and DD36I come with a 500 CFM internal blower. External models have a variety of blower options:

- 801640 – 600 CFM external blower
- 801641 – 900 CFM external blower
- 801642 – 1200 CFM external blower.

**IMPORTANT NOTE:** This appliance must be used with a Wolf approved top cover and user interface.

### 30-inch Downdraft:

- 802510 – DD30CONTROL/S – Classic Stainless
- 801623 – DD30CONTROL/P – Platinum Stainless
- 801624 – DD30CONTROL/B – Carbon Stainless

### 36-inch Downdraft:

- 802511 – DD36CONTROL/S – Classic Stainless
- 801625 – DD36CONTROL/P – Platinum Stainless
- 801626 – DD36CONTROL/B – Carbon Stainless

# DOWNDRAFT PRE-INSTALLATION

## PLANNING

The downdraft blower system is designed to be used to exhaust airborne contaminate when cooking with a variety of gas or electric cooktops. It can be mounted in an island, peninsula, or conventional wall location.

This unit can be easily installed following these basic steps:

- Cut out the countertop opening.
- Mount the unit in the cabinet.
- Connect the ductwork and electrical.
- Install the cooktop.

**IMPORTANT NOTE:** The high level of airflow of this appliance may affect the gas flame on some types of gas cooktops. This is normal and will cause no harm, but can be corrected by lowering the speed of the blower.

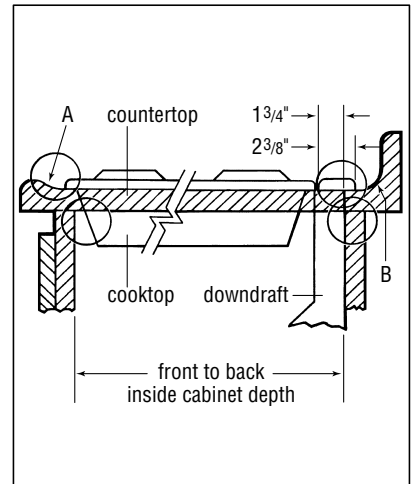
## MEASURING

- Refer to the cooktop installation instructions for dimensions of cooktop, countertop cut-out, and cabinet requirements. The DD30I and DD30R will fit in most 30" wide cabinets and the DD36I and DD36R will fit in most 36" wide cabinets. However, it is recommended that oversized cabinets be used for easier installation.

- Cooktop depth can vary greatly from one to another. This may cause the fit of these two appliances to be rather tight.

- Pay attention to the areas of potential interference shown in the illustration. A countertop with a raised lip and/or a backsplash may not allow enough flat countertop for a proper installation. Note that 2-3/8" of flat countertop is required behind cooktop and that 1-3/4" is necessary between the back edge of the cooktop and the inside of cabinet back.

**IMPORTANT NOTE:** You must allow a minimum of 25" of flat counter top space to accommodate any downdraft system with an approved Wolf cooktop.



*Areas of potential interference*

# DOWNDRAFT INSTALLATION

## PLANNING USER INTERFACE

- The remote user interface is 2.375" x 6.594". There are three holes required to mount the user interface. The hole for the DIN connector/cable is centered (1.187" x 3.297") and is 5/8" diameter. The holes for the two mounting screws are 2" from the center on the DIN connector hole (1.187" x 2.297" and 1.187" x 4.297"). The holes for the mounting screws are 1/4" diameter.
- Mark the center of the user interface on the counter top. Measure 2" up (or left) and 2" down (or right) to locate the mounting screw locations.

**IMPORTANT NOTE:** The length of the user interface control cord is 10 feet. You must plan the installation of the user interface to be within 10 feet from the downdraft assembly.

## DUCTWORK

- This downdraft blower system is designed for use with 3-1/4" x 10" (DD30I or DD36I) or 3-1/4" x 14" ductwork (DD30R or DD36R) and each can be transitioned to 8" or 10" round. Three different discharge directions are available with side-to-side adjustment for accurate alignment of ductwork. Your Wolf downdraft system is most efficient when used with 10" round ductwork.
- For best performance, choose the ducting option which allows the shortest length of ductwork and a minimum number of elbows and transitions. Check location of floor joists, wall studs, electrical wiring or plumbing for possible interference.
- The system will operate most efficiently when the ductwork does not exceed 40 feet of equivalent duct.

# DOWNDRAFT INSTALLATION

## CHANGING BLOWER DISCHARGE

Your Wolf Downdraft system has an adjustable discharge that allows you to route ducting around obstacles in the floor or cabinet.

The blower is shipped with the discharge facing down. **Follow these steps ONLY IF:**

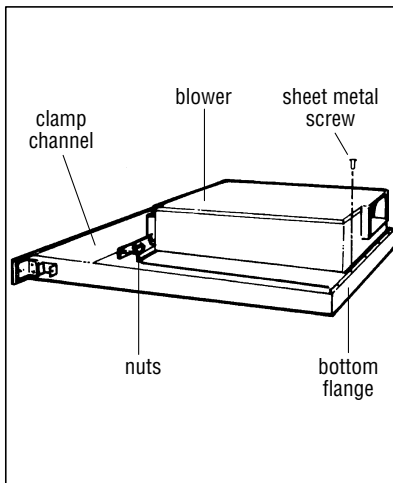
- The position of the blower discharge needs to be moved so ductwork does not interfere with floor joists, plumbing or wiring below the unit.
- It is necessary to rotate the blower discharge to the RIGHT or LEFT.

NOTE: Follow the same procedure for DD30R and DD36R.

### **Adjusting down discharge left to right:**

Keeps discharge from unit in the down position but allows some side to side mobility.

- Place the unit on its back on a table or work surface.
- Loosen the 4 nuts and 2 clamp channels.
- Slide blower to desired position.
- Use supplied cover plate to close open space (if any).
- Tighten wing nuts to secure top of blower and use sheet metal screws through bottom flange to secure bottom of blower.

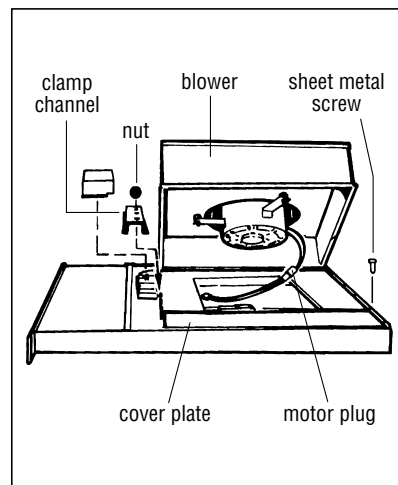


*Down blower discharge adjustment*

### **Substituting down discharge with left or right discharge:**

Moves discharge from down position to left or right of downdraft assembly.

- Place the unit on its back on a table or work surface.
- Remove the 4 nuts and 2 clamp channels.
- Carefully lift blower and disconnect motor plug if necessary. Reposition blower and reconnect motor plug.
- Use supplied cover plate to close open space (if any).
- Replace clamp channels and use nuts to secure the blower in its new position.
- Use sheet metal screws through bottom flange to secure bottom of blower.



*Left or right blower discharge*

# DOWNDRAFT INSTALLATION

## WIRING

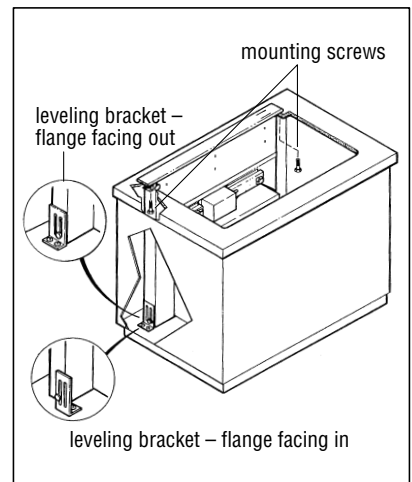
- The downdraft blower system draws 6 AMPS and requires a 120 VAC, 60 Hz circuit.
  - The unit has a 2' power cord with a 3-pronged plug. Plan to provide a grounded outlet in a location which will allow the unit's power cord to reach.
- IMPORTANT NOTE:** If DD30I/DD30R is being installed in a 30" wide cabinet or DD36I/DD36R is being installed in a 36" wide cabinet, the outlet cannot be located on the back wall of the cabinet.
- Outlet may also be wall-mounted, with access hole in cabinet.

## CUT COUNTERTOP

- Lay out and cut the cooktop cut-out far enough forward so downdraft will fit behind it.
- Set cooktop in place and slide it as far forward as possible. Center and square it with edges of countertop.
- Place the plastic template against the back flange of the cooktop and center it. Trace around the template to mark the downdraft opening.
- Remove cooktop from countertop.
- Cut downdraft opening. Be careful not to chip edges of countertop.

## MOUNT THE UNIT

- Set downdraft into opening. Extend leveling brackets to floor of cabinet so downdraft sits straight. NOTE: Leveling brackets can be removed and re-attached in other positions. Bottom flange may have to face inward in tight cabinet installations.
- Secure the downdraft to the countertop as follows: Hold the downdraft against the back of the countertop cut-out and tighten the 2 mounting screws (one on each end of unit) on underside of countertop.
- Screw leveling brackets to bottom of cabinet. Tighten screws holding leveling bracket to unit on each side.



*Downdraft mounting brackets*

# DOWNDRAFT INSTALLATION

## CONNECT USER INTERFACE

- Connect the DIN connector to back side of the user interface.
- Pull connector cord toward unit and insert at right side of downdraft assembly. Make certain all connections are tight.

## INSTALL DUCTWORK

### **WARNING**

*To reduce the risk of fire, use only metal ductwork.*

**IMPORTANT NOTE:** BEFORE CUTTING HOLE IN CABINET FOR DUCTWORK: CHECK FOR INTERFERENCE WITH FLOOR JOISTS, WALL STUDS, ELECTRICAL WIRING OR PLUMBING.

- Cut hole in cabinet as well as holes in wall or floor as necessary.
- Mount the roof or wall cap and work back towards the cabinet, attaching all ductwork, elbows and transitions as previously planned. Tape all ductwork connections to make them secure and air tight.
- Connect ductwork (and transition, if required) to downdraft. If necessary, loosen nuts and screws that hold the blower in place, and slide blower left or right to meet ductwork. Retighten screws and nuts.

**IMPORTANT NOTE:** A 3-1/4" x 10" collar for DD30I and DD36I, a 3-1/4" x 14" collar for DD30R and DD36R will be provided for installers who prefer to rivet the ductwork to the unit. This will allow blower to be removed and replaced easily in service situations without disturbing the ductwork.

## INSTALL ELECTRICAL WIRING

### *DD30I or DD36I – Internal Blower:*

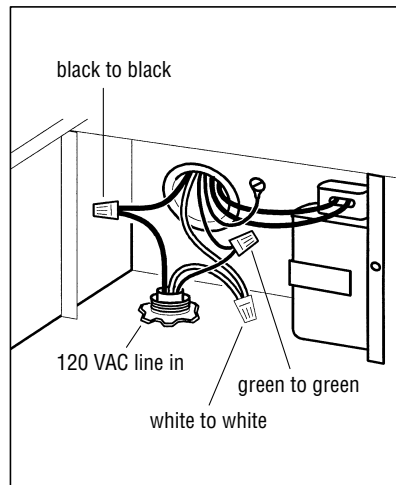
- Mount a standard wiring box, with 3-pronged receptacle, inside the cabinet or adjacent cabinet. Make certain the downdraft's power cord can easily reach it.
- Run appropriate power cable into cabinet and connect it to electrical box and receptacle.
- Plug the downdraft's power cord into the outlet.

# DOWNDRAFT INSTALLATION

## DD30R or DD36R – External Blower:

- Mount a standard wiring box, with 3-pronged receptacle, inside the cabinet or adjacent cabinet. Make certain the downdraft's power cord can easily reach it.
- Run appropriate power cable into cabinet and connect it to electrical box and receptacle.
- External blower may not exceed 6.0 amp rating.
- Run 2-wire plus ground power cable from the remote blower to wiring box on remote blower adapter plate.
- Connect downdraft wiring to power cable from remote blower. Wire black to black, white to white and green to green or bare wire.
- Replace wiring box cover.
- Plug the downdraft's power cord into the outlet.

**IMPORTANT NOTE:** Refer to specific external blower installation information for mounting and installing blower.



Wiring connections

## INSTALL TOP COVER

- Depress the UP/DOWN button on the user interface.
- Remove shipping brackets from chimney.
- Align mounting brackets on back surface of top cover with corner mounting positions on top of downdraft chimney.
- Screw top cover mounting brackets into mounting holes on downdraft chimney with four (4) screws provided. Verify that top cover is secure and runs flush with the front edge of the downdraft.

# IMPORTANT INFORMATION

## SERVICE INFORMATION

**IMPORTANT NOTE:** If the downdraft system does not operate properly, follow these troubleshooting steps:

- Verify that power is being supplied to the downdraft.
- Check the electrical connections to ensure that the installation has been completed correctly.
- If the downdraft system still does not work, contact an authorized Wolf service company. Do not attempt to repair the appliance yourself. Wolf is not responsible for service required to correct a faulty installation.
- To obtain the name and number of a Wolf authorized service company, call Wolf Customer Service at (800) 332-9513 or check our website; [www.wolfappliance.com](http://www.wolfappliance.com).
- When calling for service, you will need the downdraft model and serial numbers. Both numbers are listed on the rating plate, located above the airbox on front side of unit.



*The information and images are the copyright property of Wolf Appliance Company, LLC, an affiliate of Sub-Zero Freezer Company, Inc. Neither this book nor any information or images contained herein may be copied or used in whole or in part without the express written permission of Wolf Appliance Company, LLC, an affiliate of Sub-Zero Freezer Company, Inc.*

*© Wolf Appliance Company, LLC all rights reserved.*



WOLF APPLIANCE COMPANY, LLC  
*P.O. Box 44848 · Madison, WI 53744 · 800-332-9513*  
*[www.wolfappliance.com](http://www.wolfappliance.com)*