



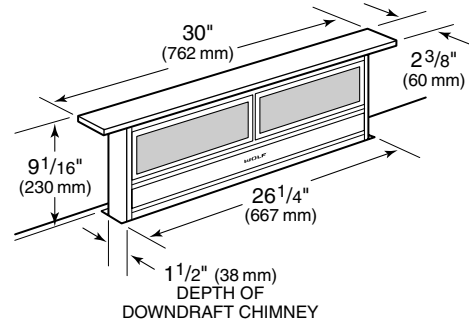
## 30-INCH DOWNDRAFT SPECIFICATIONS

### SPECIFICATIONS ▼

Overall Width	30" (762 mm)
Overall Height (above countertop)	9 <sup>1</sup> / <sub>16</sub> " (230 mm)
Overall Depth	2 <sup>3</sup> / <sub>8</sub> " (60 mm)
CFM Recommendations	1 cfm per 100 Btu/hr (.03 Kwh)
Internal Blower (Model DD30I)	500 cfm
Remote Blower (Model DD30R)	600, 900 or 1200 cfm
Transition	3 1/4" x 14" to 10-inch round (Model DD30R) Included (Model DD30I)
Duct Size	3 1/4" (83 mm) x 10" (254 mm) (Model DD30I) 3 1/4" (83 mm) x 14" (356 mm) (Model DD30R)
Discharge	Adjustable
Electrical Supply Requirements	110/120 V AC, 60 Hz, 15 amp (min) dedicated circuit
Conduit	6' (1.8 m) power cord / 3-prong grounded plug
Shipping Weight	80 lbs (36.3 kg)
Special Note	Must also order DD30CONTROL/S (802510), DD30CONTROL/B (801624) or DD30CONTROL/P (801623).

► Specifications are subject to change without notice.

### OVERALL DIMENSIONS ▼



- Dimensions may vary by  $\pm 1/8$ " (3 mm).
- Dimensions in parentheses are in millimeters.

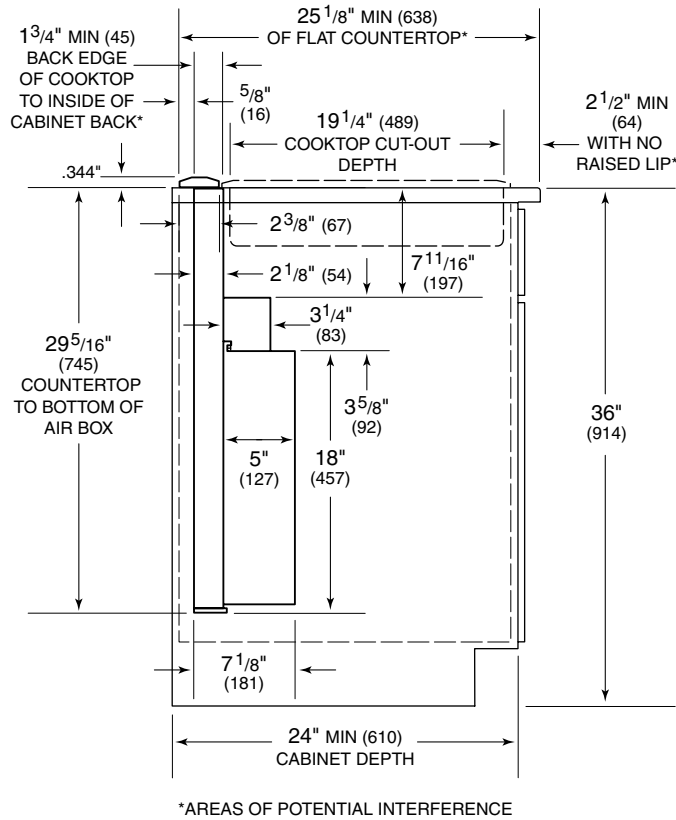
### BLOWER OPTIONS ▼

500 cfm Internal Blower	
900 cfm Remote Blower	801641
1200 cfm Remote Blower	801642
1500 cfm Remote Blower	804701

### TOP COVER AND CONTROL BEZEL ▼

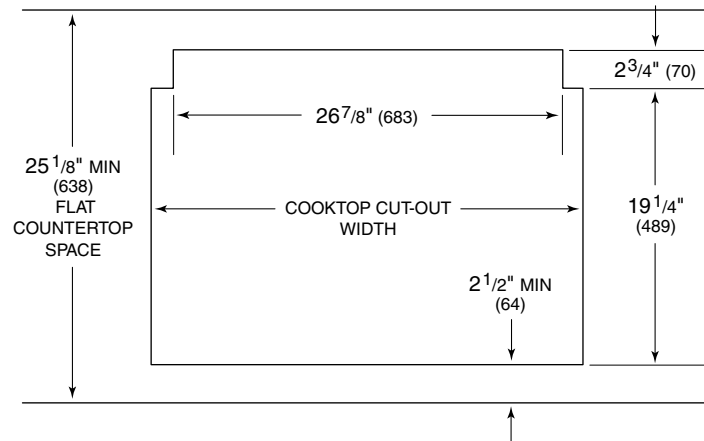
- Classic Stainless Steel
- Platinum Stainless Steel
- Carbon Stainless Steel

## 30-INCH DOWNDRAFT SPECIFICATIONS



### COUNTERTOP CUT-OUT DIMENSIONS ▼

NOTE: Dimensions in parentheses are in millimeters.



► Dimensions may vary by  $\pm 1/8"$  (3 mm).



## 30-INCH DOWNDRAFT SPECIFICATIONS / INSTALLATION

### DOWNDRAFT VENTILATION SYSTEMS

**IMPORTANT NOTE:** The downdraft ventilation systems are recommended for use with Wolf electric, gas and integrated cooktops, excluding the steamer and fryer cooktops. *For Wolf dual fuel ranges, gas ranges and rangetops, use a Pro Series ventilation hood.*

Wolf Downdraft systems come in 30" (762 mm) and 36" (914 mm) widths. The top cover and user interface are available in the classic stainless steel finish, and the premium finishes of platinum and carbon stainless steel.

### PLANNING AND DESIGN INFORMATION

The downdraft ventilation system should be at least as wide as the cooking surface you are designing into the home.

The 30" (762 mm) downdraft will fit most 30" (762 mm) wide cabinets and the 36" (914 mm) downdraft will fit in most 36" (914 mm) wide cabinets. Cabinet backs may need to be removed. It is recommended that oversized cabinets be used for easier installation.

**IMPORTANT NOTE:** To incorporate a downdraft system and a Wolf cooktop, you must allow for a minimum 25-1/8" (638 mm) flat counter space from front to back. A countertop with a raised lip and/or backsplash may not allow enough space for proper installation. 2-3/8" (60 mm) of flat countertop is required behind the cooktop and 1-3/4" (44 mm) is necessary between the back edge of the cooktop and inside of cabinet back. Also, the cabinet back may need to be removed.

When installing cooktop service connections, you **MUST** use adjacent base cabinets outlined in the cooktop specifications.

Except for Models DD30I and DD36I, downdrafts are shipped without the blower assembly. The blower or ventilator will vary in size and is dictated by the cooking surface and the distance to the exterior of the home. The blower assemblies are quite varied, and depending on the amount of air you want to move and the length of the duct run, you have many options.

You also need to consider if you are going to use these assemblies as internal blowers or mount them externally.

Refer to the **Cooktop Ventilation Recommendations** charts at the end of this section or contact your Wolf dealer for additional information.

**IMPORTANT NOTE:** If the 30" (762 mm) downdraft is being installed in a 30" (762 mm) wide cabinet, or the 36" (914 mm) downdraft in a 36" (914 mm) wide cabinet, the outlet cannot be located on the back wall of the cabinet. The outlet may be placed in adjacent cabinetry. Refer to the illustration, in this section for placement of electrical.

You must follow all National Electrical Code regulations. In addition, be aware of local codes and ordinances when installing your service.

Wolf downdraft systems have an adjustable discharge that will allow you to negotiate ducting around floor joists and other obstacles. Refer to the illustration for installation options.

**IMPORTANT NOTE:** This appliance must be used with a Wolf approved top cover and user interface.

The remote mounted user interface is sold as a sales accessory.

You must plan the installation of the user interface to be within 10' (3.0 m) of the downdraft assembly and a minimum of 4" (102 mm) from the outer edge of cooktop element or burner. You will be required to drill three holes and connect the two units by the provided wire.