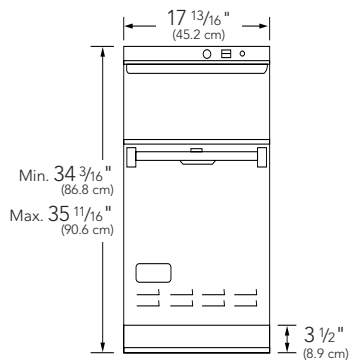
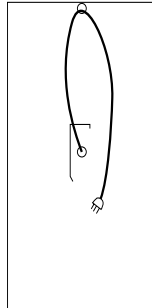


VUC trash compactor – dimensions

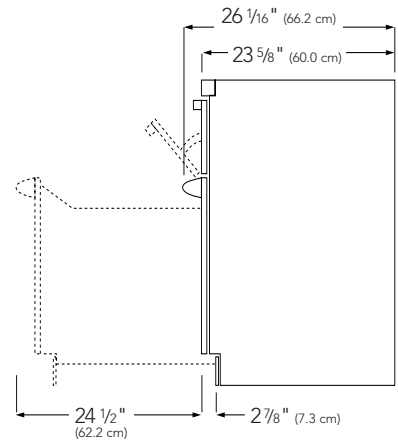
Front



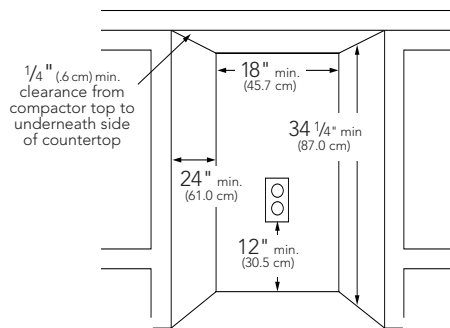
Rear



Side



Cutout



Basic specifications

Description	TRASH COMPACTOR
	VUC181
Overall Width	17 13/16" (45.2 cm)
Overall Height from Bottom	Minimum – 34 3/16" (86.8 cm) Maximum – 35 11/16" (90.7 cm)
Overall Depth from Rear	To edge of side – 23 5/8" (60.0 cm) To end of handle bracket – 26 1/16" (66.2 cm) With door open – 48 1/8" (122.2 cm)
Cutout Width	Minimum – 18" (45.7 cm)
Cutout Height	Minimum – 34 1/4" (87.0 cm) Maximum – 35 3/4" (90.8 cm)
Cutout Depth	Minimum – 24" (61.0 cm)
Electrical Requirements	115VAC/60Hz; 72" (128.9 cm) 2-wire cord with grounded 3-prong plug attached to product
Maximum Amp Usage	9.0 amps
Approximate Shipping Weight	210 lb. (94.5 kg)

Clearances

