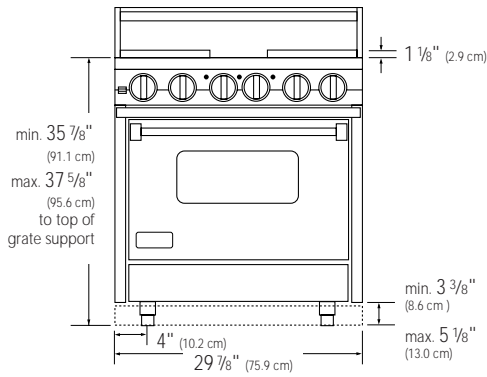
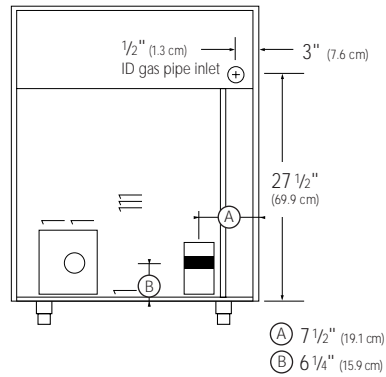


# VDSC dual fuel 30" wide range – dimensions

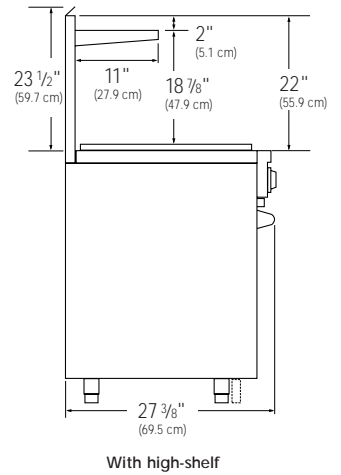
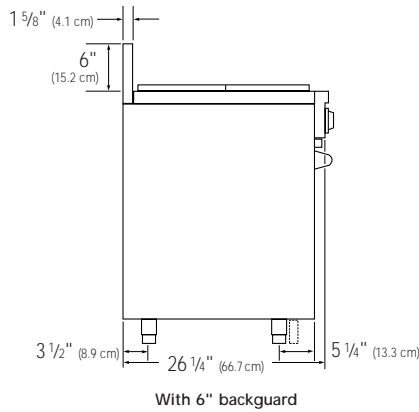
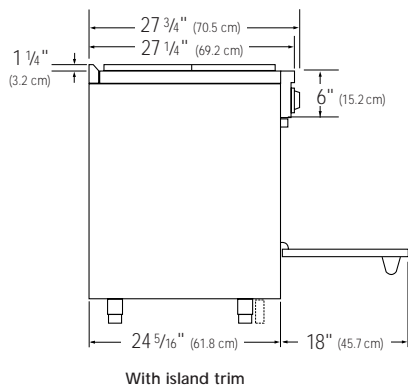
Front



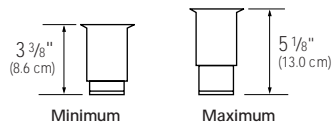
Rear



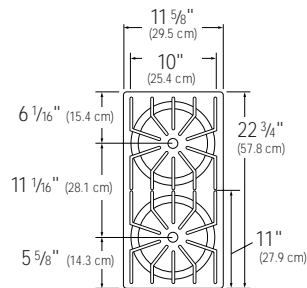
Side



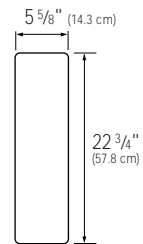
Adjustable legs



Surface burners



Center worktop



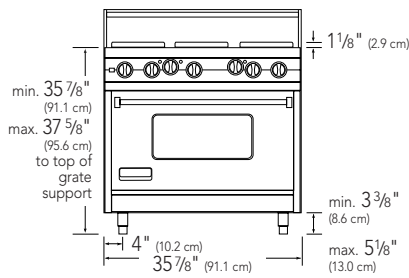
## Basic specifications

Description	VDSC DUAL FUEL 30" WIDE RANGE
	VDSC305
<b>Overall Width</b>	29 7/8" (75.9 cm)
<b>Overall Height from Bottom</b>	<p><b>Base Height</b> To top of grate support – min. 35 7/8" (91.1 cm) to max. 37 5/8" (95.6 cm); legs adjust 1 3/4" (4.5 cm)</p> <p><b>Additions to Base Height</b> To top of spider grate – add 1 1/8" (2.9 cm), to top of island trim – add 1 1/4" (3.2 cm), to top of 6"H. backguard – add 6" (15.2 cm), to top of high-shelf – add 23 1/2" (59.7 cm)</p>
<b>Overall Depth from Rear</b>	To end of side panel – 24 5/16" (61.8 cm), to end of control panel – 26 1/4" (66.7 cm), to end of knobs – 27 3/4" (70.5 cm)
<b>Gas Requirements</b>	Shipped natural gas standard; field convert to LP/Propane with standard convertible regulator; accepts standard residential 1/2" (1.3 cm) ID gas service line
<b>Electrical Requirements</b>	240 – 208/120VAC/60Hz; Electrical connection box on product; connect with locally supplied 3-wire, flexible cord rated 40 amp; 125/250VAC minimum; must be agency-approved for use with household electric ranges*
<b>Maximum Amp Usage</b>	240V – 17.3 amps 208V – 15.0 amps
<b>Surface Burner Rating</b>	15,000 BTU NAT./13,500 BTU LP (4.4 kW NAT./4.0 kW LP)
<b>Broil Burner Rating</b>	Maxi-Broil – 8-pass: 240V – 3,000 watts; 208V – 2,250 watts; Mini-Broil – 4-pass: 240V – 1,250 watts; 208V – 940 watts
<b>Bake Rating</b> (partial power from broil element)	240V – 2,935 watts; 208V – 2,205 watts
<b>Convection Cook Rating</b>	240V – 2,200 watts; 208V – 1,650 watts
<b>Oven Interior Dimensions</b>	<p><b>Convection Bake/Broil Oven</b> Width – 23" (58.4 cm); Height – 16 1/8" (40.0 cm); Depth – 15 3/8" (39.1 cm); Overall Size – 3.3 cu. ft.; Three racks, six rack positions</p>
<b>Approximate Shipping Weight (with backguard)</b>	424 lb. (190.8 kg)

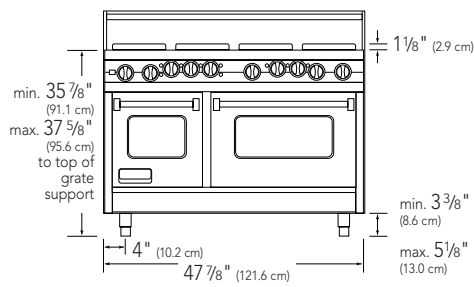
\*Canada model C VDSC has factory-installed, agency-approved 4 ft. power cord – 3-wire with ground, 4-prong plug – included.

# VDSC dual fuel 36" and 48" wide ranges – dimensions

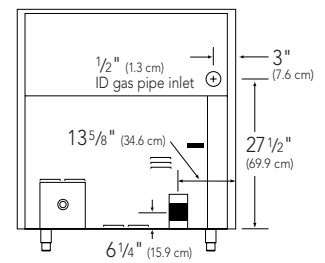
Front – 36" wide models



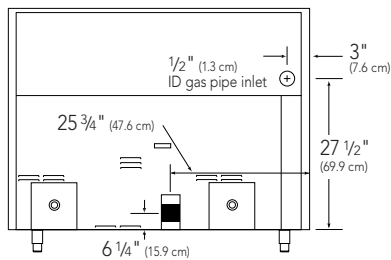
Front – 48" wide models



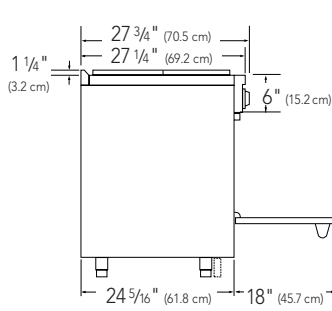
Rear – 36" wide models



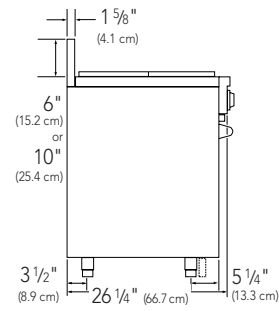
Rear – 48" wide models



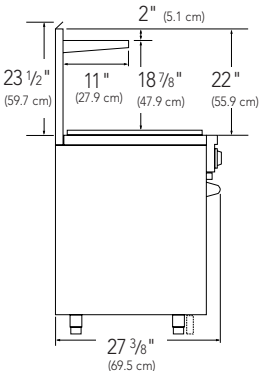
Side – 36"/48" wide models



With island trim

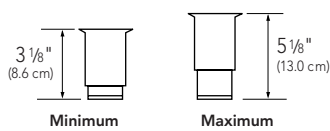


With backguard

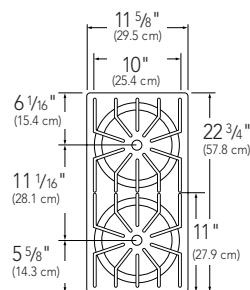


With high-shelf

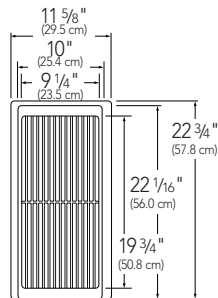
Adjustable legs



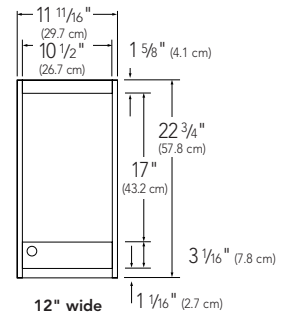
Surface burners



Grill



Griddle/simmer plate



## Basic specifications

Description	VDSC DUAL FUEL 36" AND 48" WIDE RANGES	
	VDSC365	VDSC485
<b>Overall Width</b>	35 7/8" (91.1 cm)	47 7/8" (121.6 cm)
<b>Overall Height from Bottom</b>	<b>Base Height</b> To top of grate support – min. 35 7/8" (91.1 cm) to max. 37 5/8" (95.6 cm); legs adjust 1 3/4" (4.5 cm) <b>Additions to Base Height</b> To top of spider grate – add 1 1/8" (2.9 cm), to top of island trim – add 1 1/4" (3.2 cm), to top of 6"H. backguard – add 6" (15.2 cm), to top of 10"H. backguard – add 10" (25.4 cm), to top of high-shelf – add 23 1/2" (59.7 cm)	
<b>Overall Depth from Rear</b>	To end of side panel – 24 5/16" (61.8 cm), to end of control panel – 26 1/4" (66.7 cm), to end of knobs – 27 3/4" (70.5 cm)	
<b>Gas Requirements</b>	Shipped natural gas standard; field convert to LP/Propane with standard convertible regulator; accepts standard residential 1/2" (1.3 cm) ID gas service line	
<b>Electrical Requirements</b>	240 – 208/120VAC/60Hz; Electrical connection box on product; connect with locally supplied 3-wire, flexible cord rated 40 amp; 125/250VAC minimum; must be agency-approved for use with household electric ranges*	
<b>Maximum Amp Usage</b>	6B – 240V – 17.9 amps, 208V – 15.5 amps 4G – 240V – 19.5 amps, 208V – 16.9 amps 4Q – 240V – 17.9 amps, 208V – 15.5 amps	6G – 240V – 30.2 amps, 208V – 26.2 amps 6Q – 240V – 28.6 amps, 208V – 24.8 amps 4GQ – 240V – 30.2 amps, 208V – 26.2 amps
<b>Surface Burner Rating</b>	15,000 BTU NAT./13,500 BTU LP (4.4 kW NAT./4.0 kW LP)	
<b>Griddle Burner Rating</b>	15,000 BTU NAT./12,500 BTU LP (4.4 kW NAT./3.7 kW LP)	
<b>Grill Burner Rating</b>	18,000 BTU NAT./16,000 BTU LP (5.3 kW NAT./4.7 kW LP)	
<b>Broil Burner Rating</b>	Maxi-Broil – 8-pass: 240V – 3,000 watts; 208V – 2,250 watts; Mini-Broil – 4-pass: 240V – 1,250 watts; 208V – 940 watts; (VDSC485 Left oven – 4-pass broil only)	
<b>Bake Rating</b> (partial power from broil element)	240V – 3,440 watts; 208V – 2,580 watts	<b>Right Oven:</b> 240V – 2,935 watts; 208V – 2,200 watts <b>Left Oven:</b> 240V – 2,065 watts; 208V – 1,550 watts
<b>Convection Cook Rating</b>	240V – 2,200 watts; 208V – 1,650 watts	<b>Right Oven:</b> 240V – 2,200 watts; 208V – 1,650 watts
<b>Proof Rating</b>	–	<b>Left Oven Only – Separate Element</b> 240V – 20 watts 208V – 15 watts
<b>Oven Interior Dimensions</b>	<b>Convection Bake/Broil Oven</b> Width – 29" (73.7 cm) Height – 16 1/8" (41.0 cm) Depth – 15 3/8" (39.1 cm) Overall Size – 4.2 cu. ft. Three racks, six rack positions	<b>Right Oven – Convection Bake/Broil Oven</b> Width – 23" (58.4 cm) Height – 16 1/8" (41.0 cm) Depth – 15 3/8" (39.1 cm) Overall Size – 3.3 cu. ft. Three racks, six rack positions <b>Left Oven – Bake/Broil/Proof</b> Width – 12 1/8" (30.8 cm) Height – 16 1/8" (41.0 cm) Depth – 17 1/4" (43.8 cm) Overall Size – 2.0 cu. ft. Two racks, six rack positions
<b>Approximate Shipping Weight</b>	6B – 465 lb. (209.3 kg), 4G – 475 lb. (213.8 kg), 4Q – 470 lb. (211.5 kg)	6G – 641 lb. (288.5 kg), 6Q – 636 lb. (286.2 kg), 4GQ – 636 lb. (286.2 kg)

\*Canada model C VDSC has factory-installed, agency-approved 4 ft. power cord – 3-wire with ground, 4-prong plug – included.